

## PTC Thermistor Datasheet



### 1. Introduction of Motor PTC Thermistor for the circuit of refrigerator and motor starting-MZ6 series

The Motor [PTC Thermistor](#) plays a critical role in motor-starting circuits, especially for appliances such as refrigerators and air conditioners. It ensures efficient [PTC Thermistor Motor Protection](#) by regulating the starting process and preventing overheating.

For more details on how PTC Motor Starter functions and its use in various applications, visit [PTC Thermistor Motor Starter](#). This resource offers in-depth information on motor protection systems.

### 2. Technical Specifications of PTC Thermistor Motor Protection

The MZ6 Series PTC Thermistors are specifically designed for Motor Winding Protection PTC Thermistor applications. These components provide reliable protection for motor circuits by controlling the current flow during start-up, ensuring optimal performance.

For a detailed list of specifications, part numbers, and resistance values, refer to the [Motor PTC Thermistor Resistance Table](#) available at [PTC Motor Starter](#).

#### Key Features:

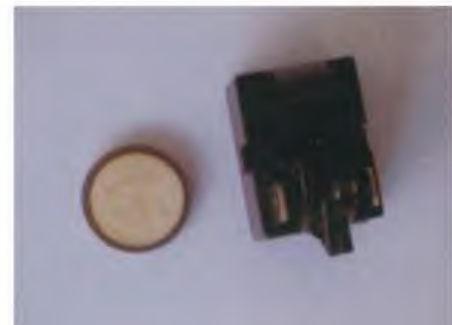
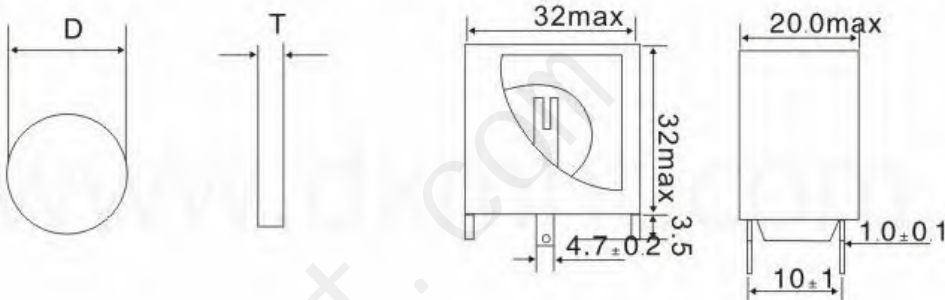
- Reliable Motor Starting: Efficient start-up in refrigerators and air conditioners.
- [PTC Motor Starter](#): Designed to handle heavy current demands.
- Overheat Protection: Prevents overheating, extending the life of the motor



### Marking of Part Number

[www.dxmht.com](http://www.dxmht.com)

Part Number	Switch Temperature	Resistance @25°C	Max. Voltage	Max. Current	Starting Time	Recovery Time	Consumption Power	Dimensions (mm)	
	Tc(°C)	R25 (Ω)	Vmax (V)	Imax (A)	To (S)	Trmax(S)	Pmax (W)	D	T
MZ62-4R7MK20D	125	4.7	180	12	0.3-1.2	90	3.5	20.0±0.5	2.5±0.2
MZ62-6R8MK20D		6.8	220	10	0.3-1.2	90	3.5		
MZ62-10RMK20D		10	240	10	0.2-0.8	85	3		
MZ62-15RMK20D		15	260	10	0.2-0.8	85	3		
MZ62-22RMK20D		22	300	9	0.2-0.8	85	3		
MZ62-33RMK20D		33	300	9	0.2-0.8	85	3		
MZ62-47RMK20D		47	300	9	0.2-0.8	85	3		
MZ62-68RMK20D		68	320	9	0.2-0.8	85	3		
MZ62-4R7MK17D	17.0±0.5	4.7	170	12	0.2-1.0	80	3.2	2.5±0.2	
MZ62-6R8MK17D		6.8	220	10	0.2-1.0	80	3.2		
MZ62-10RMK17D		10	240	9	0.2-1.0	80	3		
MZ62-15RMK17D		15	260	8	0.2-1.0	80	3		
MZ62-22RMK17D		22	280	8	0.2-0.8	80	3		
MZ62-33RMK17D		33	280	7	0.2-0.8	80	3		
MZ62-47RMK17D		47	300	6	0.2-0.8	80	3		
MZ62-68RMK17D		68	300	5	0.2-0.8	80	3		



### 3. Conclusion of Motor PTC Thermistor

The Motor PTC Thermistor is an essential component for ensuring smooth motor operation and long-lasting protection. For more details on selecting the correct thermistor for your application, visit the [PTC Motor Starter page](#). This page provides critical information, including the Motor PTC Thermistor resistance table to help you make the best choice for your motor's protection.