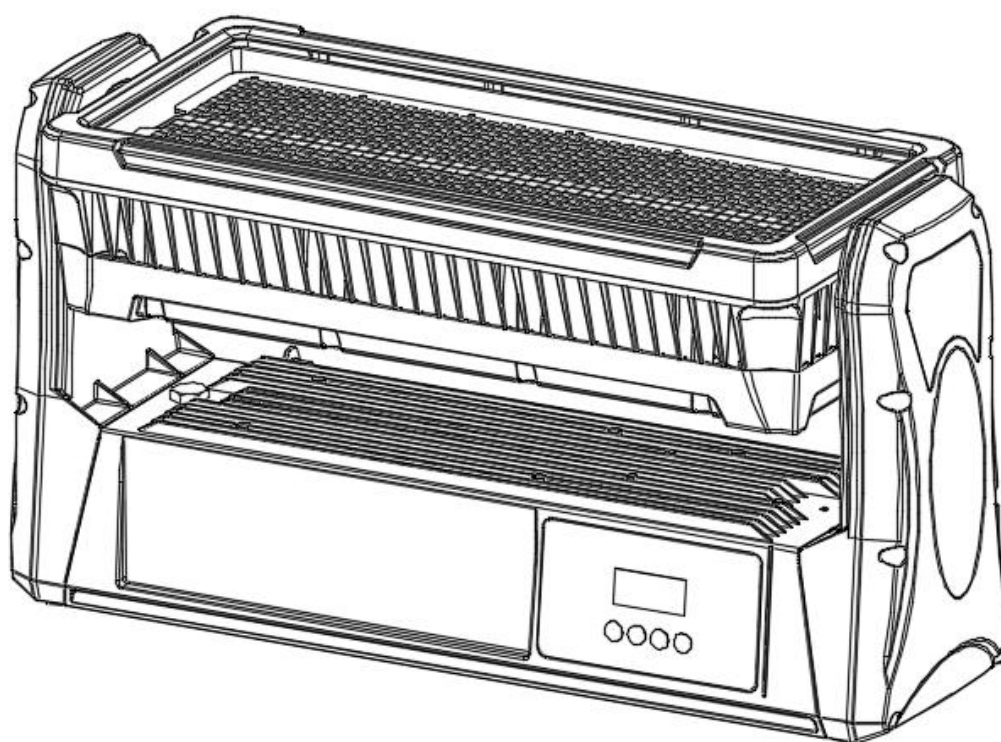


Move color



1. Safety Instructions

Please read the instruction carefully which includes important information about the installation, usage and maintenance.

- Please keep this User Guide for future consultation. If you sell the unit to another user, be sure that they also receive this instruction manual.
- Unpack and check carefully to ensure that there is no transportation damage before using the unit.
- This product is suitable for wet locations. Do not immerse in water.
- DO install and operate by qualified operator.
- DO NOT allow children to operate the fixture.
- Use safety chain when fixing the unit. Handle the unit by carrying its base instead of head only.
- The unit must be installed in a location with adequate ventilation, at least 50cm from adjacent surfaces.
- Be sure that no ventilation slots is blocked, otherwise the unit will be overheated.
- Before operation, ensure that you are connecting this product to the proper voltage in accordance with the specifications in this manual or on the product's specification label.
- It's important to ground the yellow/green conductor to earth in order to avoid electric shock.
- Minimum ambient temperature TA: 0°C. Maximum ambient temperature TA: 40°C. Do not operate this product at a lower or higher temperature.
- DO NOT connect the device to any dimmer pack
- Keep flammable materials away from the fixture while operating to avoid fire hazard.
- Make sure the power cord is not crimped or damaged; replace it immediately if damaged
- Unit's surface temperature may reach up to 65°C. DO NOT touch the housing bare-handed during its operation
- Avoid any flammable liquids, water or metal from entering the unit.
- DO NOT operate in a dirty or dusty environment. DO clean the fixture regularly.
- DO NOT touch any wire during operation as there might be a hazard of electric shock.
- Avoid entanglement of the power cord with other wires.
- The minimum distance to objects/surface must be more than 0.5 meters.
- In the event of serious operating problem, stop using the unit immediately.
- Never turn on and off the unit time after time.
- The housing, the lenses, or the ultraviolet filter must be replaced if they are visibly damaged

- DO NOT open the housing as there are no user serviceable parts inside.
- DO NOT attempt to operate this unit if it becomes damaged. DO NOT attempt any repairs yourself. Repairs carried out by unskilled people can lead to damage or malfunction. Please contact the nearest authorized technical assistance center if needed.
- Disconnect this product from its power source before servicing.
- DO use the original packaging if the device is to be transported.
- Avoid direct eye exposure to the light source while the product is on.
- DO NOT operate this product if you see damage on the housing, shields, or cables. Have the damaged parts replaced by an authorized technician at once.

2. INSTALLATIONS

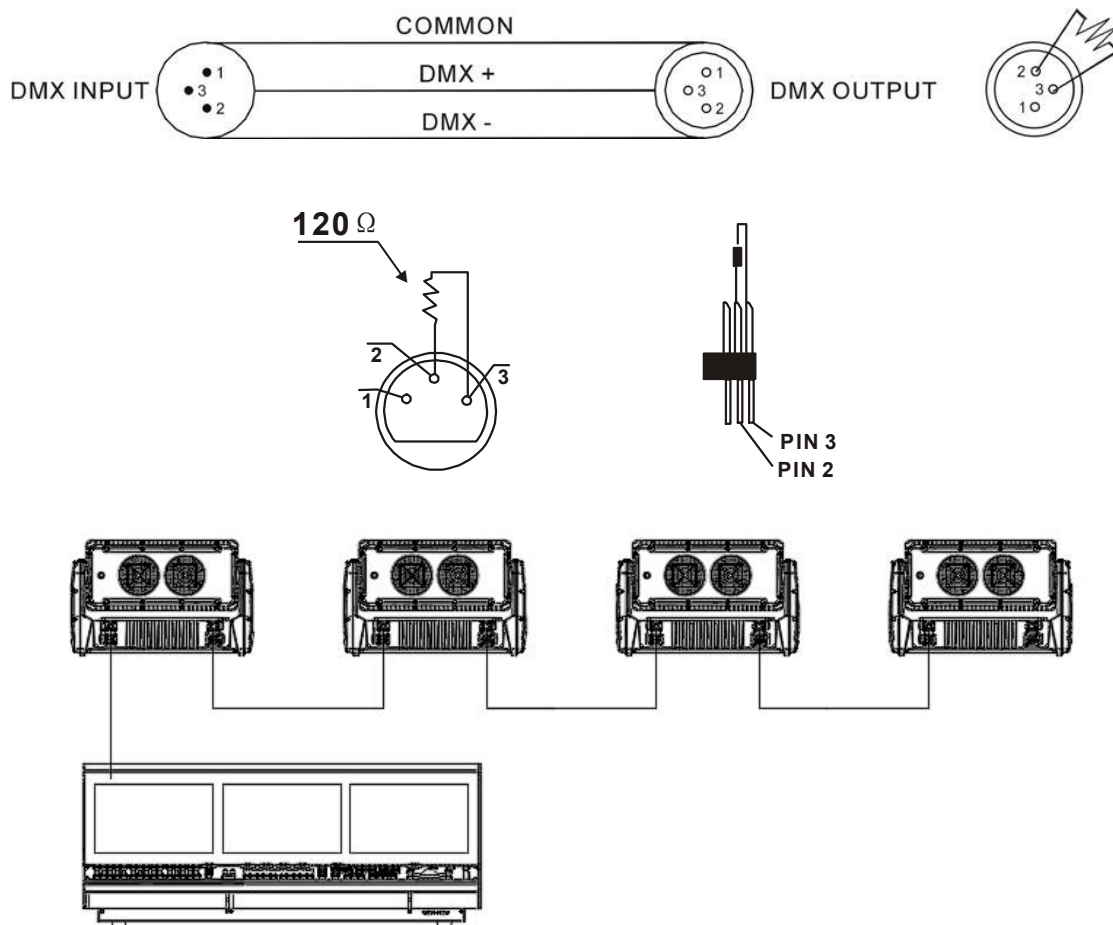
- installations Note: In order to increase protection, please install the lamp on the sidewalk, outside the seating area, or an area where unauthorized persons may touch the led
- Before installing the fixture on any surface, make sure that the installation area can bear the minimum point load above 10 points of the weight of the equipment. The installation of the fixing device must always be fixed with auxiliary safety accessories (such as a suitable safety rope) Do not stand directly under the equipment when installing, removing, or servicing fixtures
- Ensure that this fixture is kept at least 0.5m (1.5 feet) away from any flammable materials (decorations, etc.)
- Be sure to use and install the supplied safety rope to ensure safety and prevent accidental damage and/or injury in case the fixture is damaged
Installation point: Overhead installation requires a wealth of experience, including calculation of working load limits, in-depth understanding of the installation materials used, and regular safety inspections of all installation materials and fixtures. If you do not have these qualifications, please do not try to install it yourself. Improper installation can cause personal injury
Before connecting the main power cord to an appropriate wall outlet, make sure to complete all assembly and installation procedures

3. DMX-512 control connections

Connect the provided XLR cable to the female 3-pin XLR output of your controller and the other side to the male 3-pin XLR input of the moving head. You can chain multiple Moving heads be connected together through serial linking. The cable needed should be two core, screened cable with XLR input and output connectors.

For installations where the DMX cable has to run a long distance or is in an electrically noisy environment, such as in a discotheque, it is recommended to use a DMX terminator. This helps in preventing corruption of the digital control

signal by electrical noise. The DMX terminator is simply an XLR plug with a 120 Ω resistor connected between pins 2 and 3, which is then plugged into the output XLR socket of the last fixture in the chain. Please see illustrations below



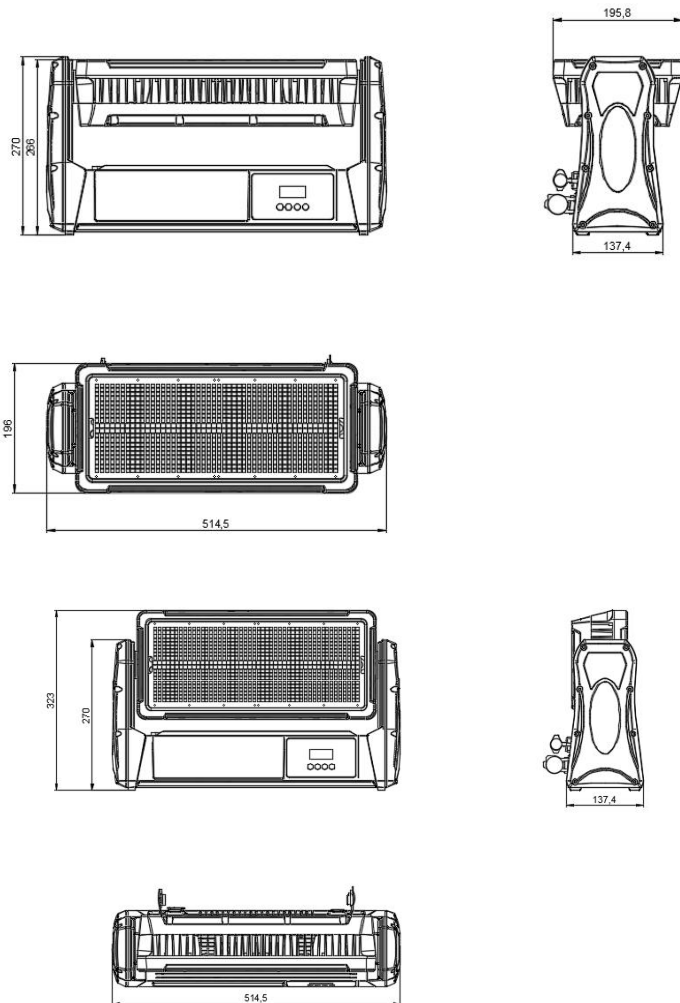
4.Address code setting

If you use a universal DMX controller to control the units, you have to set DMX address from 1 to 512 so that the units can receive DMX signal.

Press the MENU button to enter menu mode, select DMX Settings, press the ENTER button to confirm, use the UP/DOWN button to select DMX Address, press the ENTER button to confirm, the present address will blink in the display, use the UP/DOWN button to adjust the address from 001 to 512, press the ENTER button to store. Press the MENU button back to the last menu or let the unit idle 30 seconds to exit menu mode. Please refer to the following diagram to address your DMX512 channel for the first 4 units.

Channel MODE	UNIT1 ADDERSS	UNIT2 ADDERSS	UNIT3 ADDERSS	UNIT4 ADDERSS
8CH	1	9	17	25
12CH	1	13	25	37
17CH	1	18	35	52
19CH	1	20	39	58
162CH	1.1	1.163	1.325	2.1
170CH	1.1	1.171	1.341	2.1

5. Fixture size



6. LED PIXEL ZONES

162CH RGB

1	2	3	4	5	6	7	8	9	10	11	12
13	14	15	16	17	18	19	20	21	22	23	24
25	26	27	28	29	30	31	32	33	34	35	36
37	38	39	40	41	42	43	44	45	46	47	48

162CH White

1	2	3	4	5	6	7	8	9	10	11	12
---	---	---	---	---	---	---	---	---	----	----	----

170CH RGB

1	2	3	4	5	6	7	8	9	10	11	12
13	14	15	16	17	18	19	20	21	22	23	24
25	26	27	28	29	30	31	32	33	34	35	36
37	38	39	40	41	42	43	44	45	46	47	48

170CH White

1	2	3	4	5	6	7	8	9	10	11	12
---	---	---	---	---	---	---	---	---	----	----	----

7. LED technical parameters

Input Voltage: 100-240V, 50/60Hz

Power supply: 750W

Light source: 768pcs 0.5W 5050 RGB LED

240pcs 2W 3030CW LED

Color temperature: CW:6500-7000K

LED Life:>20000Hour

Main light: 12pcs CW LED zones can be controlled individually

Auxiliary light: 48pcs RGB LED zones can be controlled individually

DMX Channel: 8,12,17,19,162,170CH

Operate mode: DMX512, Auto,Master/slave, /RDM

Dimmer: 0-100% Linear dimming

Strobe: Strong output strobe effect at 1-20Hz

Excellent color mixing effect

Display: OLED display

Signal input/output:3pin waterproof XLR socket (optional with 5pin)

Power socket: waterproof power connector input/output

Protection Rating: IP65

Size: 514.5x196x270mm

8.Menu Description (Unlock according to prompts)

Main Menu	Sub menu	explain
System settings	DMX address	Modify the DMX address code up or down
	encoder	on/off
	Y reversal	on/off
Operation mode	Operation mode	Select the operating mode up or down, such as DMA/voice control/automatic/voice control
	Channel selection	Select channels 15/07/17/21/33/39/65/68/70/85/112/117CH
Manual control	Dimmer	Modify parameter values up or down
	RGB dimmer	Modify parameter values up or down
	red	Modify parameter values up or down
	green	Modify parameter values up or down
	blue	Modify parameter values up or down
	RGB effect	Modify parameter values up or down
	RGB speed	Modify parameter values up or down
	W strobe	Modify parameter values up or down
	white	Modify parameter values up or down
	W effect	Modify parameter values up or down
	W speed	Modify parameter values up or down
	RGBW strobe	Modify parameter values up or down
	RGBW effect	Modify parameter values up or down
	RGBW speed	Modify parameter values up or down
	Back color	Modify parameter values up or down
Back dimmer	Modify parameter values up or down	
frost	Modify parameter values up or down	
Display Settings	Language selection	Select Chinese/EN up or down
	Inverted Display Settings	Select up or down to turn off/on the inverted display setting
	Screen saver	Select up or down to turn off/on screen saver

	Software version	G4JA program identification code, cannot be modified	
Information	Encryption settings	on/off	
	time	XXXX	
	HALL	00000	
Factory settings	LED	LED sequence selection	
	Red	Modify parameters up or down	
	Green	Modify parameters up or down	
	Blue	Modify the red current up or down	
	White	Modify green current up or down	
	Logo	Select 000/001 up or down	
	Temperature	Select 000-060 up or down	

9.DMX512

8CH

CH	value	Function
1	000-255	Y
2	000-255	Y Speed
3	000-255	Strobe
4	000-255	R
5	000-255	G
6	000-255	B
7	000-255	W
8	000-255	reset

12CH

CH	value	Function
1	000-255	Y
2	000-255	Y Fine
3	000-255	Y Speed
4	000-255	Dimmer
5	000-255	Strobe
6	000-255	R
7	000-255	G
8	000-255	B
9	000-255	W
10	000-255	RGBW Effect
11	000-255	RGBW Effect speed
12	000-255	Reset

17CH

CH	value	Function
1	000-255	Y
2	000-255	Y Fine
3	000-255	Y Speed
4	000-255	Dimmer
5	000-255	Strobe
6	000-255	R
7	000-255	G
8	000-255	B
9	000-255	W
10	000-255	Color
11	000-255	RGB Effect
12	000-255	RGB Effect speed
13	000-255	W Effect
14	000-255	W Effect speed
15	000-255	RGBW Effect speed
16	000-255	RGBW Effect speed
17	000-255	Reset

19CH

CH	value	Function
1	000-255	Y
2	000-255	Y Fine
3	000-255	Y Speed
4	000-255	Dimmer
5	000-255	Strobe
6	000-255	R
7	000-255	G
8	000-255	B
9	000-255	W
10	000-255	Color
11	000-255	RGB Effect
12	000-255	RGB Effect speed
13	000-255	W Effect
14	000-255	W Effect speed
15	000-255	RGBW Effect speed
16	000-255	RGBW Effect speed
17	000-255	Background color
18	000-255	Background dimmer
19	000-255	Reset

162CH

CH	value	Function
1	000-255	Y
2	000-255	Y Fine
3	000-255	Y Speed
4	000-255	Reset
5	000-255	Dimmer
6	000-255	Strobe
7	000-255	R1
8	000-255	G1
9	000-255	B1
...
...
148	000-255	R48

149	000-255	G48
150	000-255	B48
151	000-255	W1
152	000-255	W2
153	000-255	W3
154	000-255	W4
155	000-255	W5
156	000-255	W6
157	000-255	W7
158	000-255	W8
159	000-255	W9
160	000-255	W10
161	000-255	W11
162	000-255	W12

170CH

CH	value	Function
1	000-255	Y
2	000-255	Y Fine
3	000-255	Dimmer
4	000-255	Strobe
5	000-255	Color
6	000-255	RGB Effect
7	000-255	RGB Speed
8	000-255	W Effect
9	000-255	W Speed
10	000-255	RGBW Effect
11	000-255	RGBW Speed
12	000-255	Background color
13	000-255	Background dimmer
14	000-255	Reset
15	000-255	R1
16	000-255	G1
17	000-255	B1
...
↓	↓	↓
156	000-255	R48
157	000-255	G48
158	000-255	B48

159	000-255	W1
160	000-255	W2
161	000-255	W3
162	000-255	W4
163	000-255	W5
164	000-255	W6
165	000-255	W7
166	000-255	W8
167	000-255	W9
168	000-255	W10
169	000-255	W11
170	000-255	W12

10. Troubleshooting

Following are a few common problems that may occur during operation. Here are some suggestions for troubleshooting:

A. The unit does not work, no light and the fan does not work

Check the connected power.

Measure the voltage.

Check the power indicator to see whether it can be lit up or not.

B. Not responding to the DMX controller

Check whether the DMX connectors and the DMX cables are connected correctly.

Check whether the DMX address is correctly set.

If the intermittent DMX signal problem occurs, check whether the XLR socket and the signal cable are well connected.

Try it with another DMX controller.

Check whether the DMX cables run near or alongside to the high-voltage cables, which may damage or interfere with the signal circuit.

11. Fixture Cleaning

It is absolutely essential that the fixture is kept clean to ensure the maximum light-output

and allow the fixture to function reliably throughout its life. The fixture must be cleaned

regularly to avoid dust, dirt and smoke-fluid residues building up on or within the fixture. The

cleaning frequency depends on the application environment. Clean the fixture immediately if

the dust enters it to avoid damage to the optical lens due to excessive dust.

A soft lint-free cloth moistened with any good glass cleaning fluid is recommended, under no circumstances should solvents be used.

Always dry the parts carefully.

Clean the external optical lens at least every 20 days.