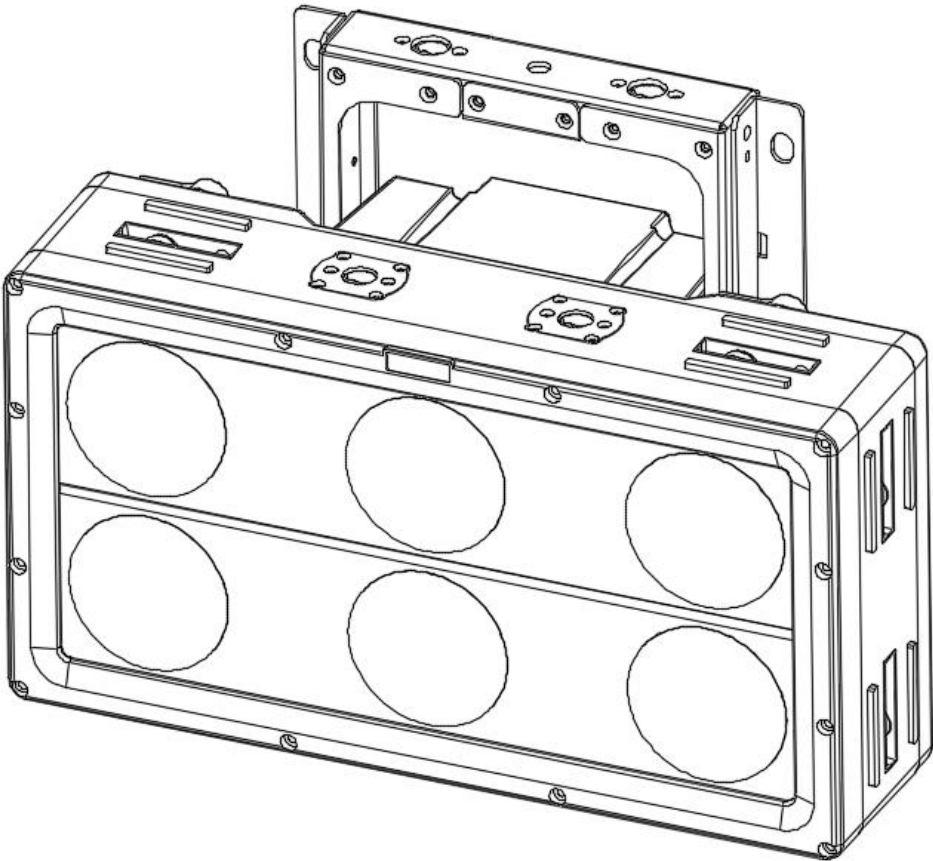


# L8 LUAN



## 1. Safety Instructions

Please read the instruction carefully which includes important information about the installation, usage and maintenance.

- Please keep this User Guide for future consultation. If you sell the unit to another user, be sure that they also receive this instruction manual.
- Unpack and check carefully to ensure that there is no transportation damage before using the unit.
- This product is suitable for wet locations. Do not immerse in water.
- DO install and operate by qualified operator.
- DO NOT allow children to operate the fixture.
- Use safety chain when fixing the unit. Handle the unit by carrying its base instead of head only.
- The unit must be installed in a location with adequate ventilation, at least 50cm from adjacent surfaces.
- Be sure that no ventilation slots is blocked, otherwise the unit will be overheated.
- Before operation, ensure that you are connecting this product to the proper voltage in accordance with the specifications in this manual or on the product's specification label.
- It's important to ground the yellow/green conductor to earth in order to avoid electric shock.
- Minimum ambient temperature TA: 0°C . Maximum ambient temperature TA: 40°C . Do not operate this product at a lower or higher temperature.
- DO NOT connect the device to any dimmer pack
- Keep flammable materials away from the fixture while operating to avoid fire hazard.
- Make sure the power cord is not crimped or damaged; replace it immediately if damaged
- Unit's surface temperature may reach up to 65°C . DO NOT touch the housing bare-handed during its operation
- Avoid any flammable liquids, water or metal from entering the unit.
- DO NOT operate in a dirty or dusty environment. DO clean the fixture regularly.
- DO NOT touch any wire during operation as there might be a hazard of electric shock.
- Avoid entanglement of the power cord with other wires.
- The minimum distance to objects/surface must be more than 0.5 meters.
- In the event of serious operating problem, stop using the unit immediately.
- Never turn on and off the unit time after time.
- The housing, the lenses, or the ultraviolet filter must be replaced if they are visibly damaged

- DO NOT open the housing as there are no user serviceable parts inside.
- DO NOT attempt to operate this unit if it becomes damaged. DO NOT attempt any repairs yourself. Repairs carried out by unskilled people can lead to damage or malfunction. Please contact the nearest authorized technical assistance center if needed.
- Disconnect this product from its power source before servicing.
- DO use the original packaging if the device is to be transported.
- Avoid direct eye exposure to the light source while the product is on.
- DO NOT operate this product if you see damage on the housing, shields, or cables. Have the damaged parts replaced by an authorized technician at once.

## **2. INSTALLATIONS**

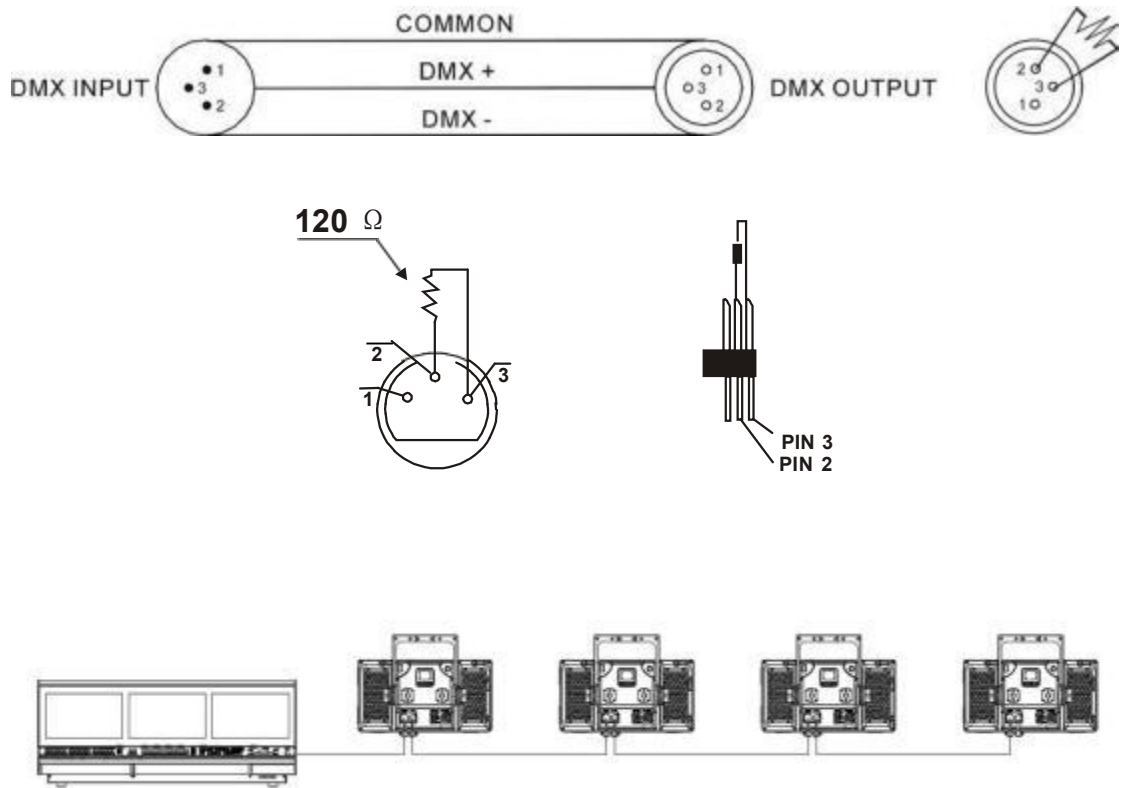
- installations Note: In order to increase protection, please install the lamp on the sidewalk, outside the seating area, or an area where unauthorized persons may touch the led
- Before installing the fixture on any surface, make sure that the installation area can bear the minimum point load above 10 points of the weight of the equipment. The installation of the fixing device must always be fixed with auxiliary safety accessories (such as a suitable safety rope) Do not stand directly under the equipment when installing, removing, or servicing fixtures
- Ensure that this fixture is kept at least 0.5m (1.5 feet) away from any flammable materials (decorations, etc.)
- Be sure to use and install the supplied safety rope to ensure safety and prevent accidental damage and/or injury in case the fixture is damaged  
Installation point: Overhead installation requires a wealth of experience, including calculation of working load limits, in-depth understanding of the installation materials used, and regular safety inspections of all installation materials and fixtures. If you do not have these qualifications, please do not try to install it yourself. Improper installation can cause personal injury  
Before connecting the main power cord to an appropriate wall outlet, make sure to complete all assembly and installation procedures

## **3. DMX-512 control connections**

Connect the provided XLR cable to the female 3-pin XLR output of your controller and the other side to the male 3-pin XLR input of the moving head. You can chain multiple Moving heads be connected together through serial linking. The cable needed should be two core, screened cable with XLR input and output connectors.

For installations where the DMX cable has to run a long distance or is in an electrically noisy environment, such as in a discotheque, it is recommended to use a DMX terminator. This helps in preventing corruption of the digital control

signal by electrical noise. The DMX terminator is simply an XLR plug with a 120 Ω resistor connected between pins 2 and 3, which is then plugged into the output XLR socket of the last fixture in the chain. Please see illustrations below

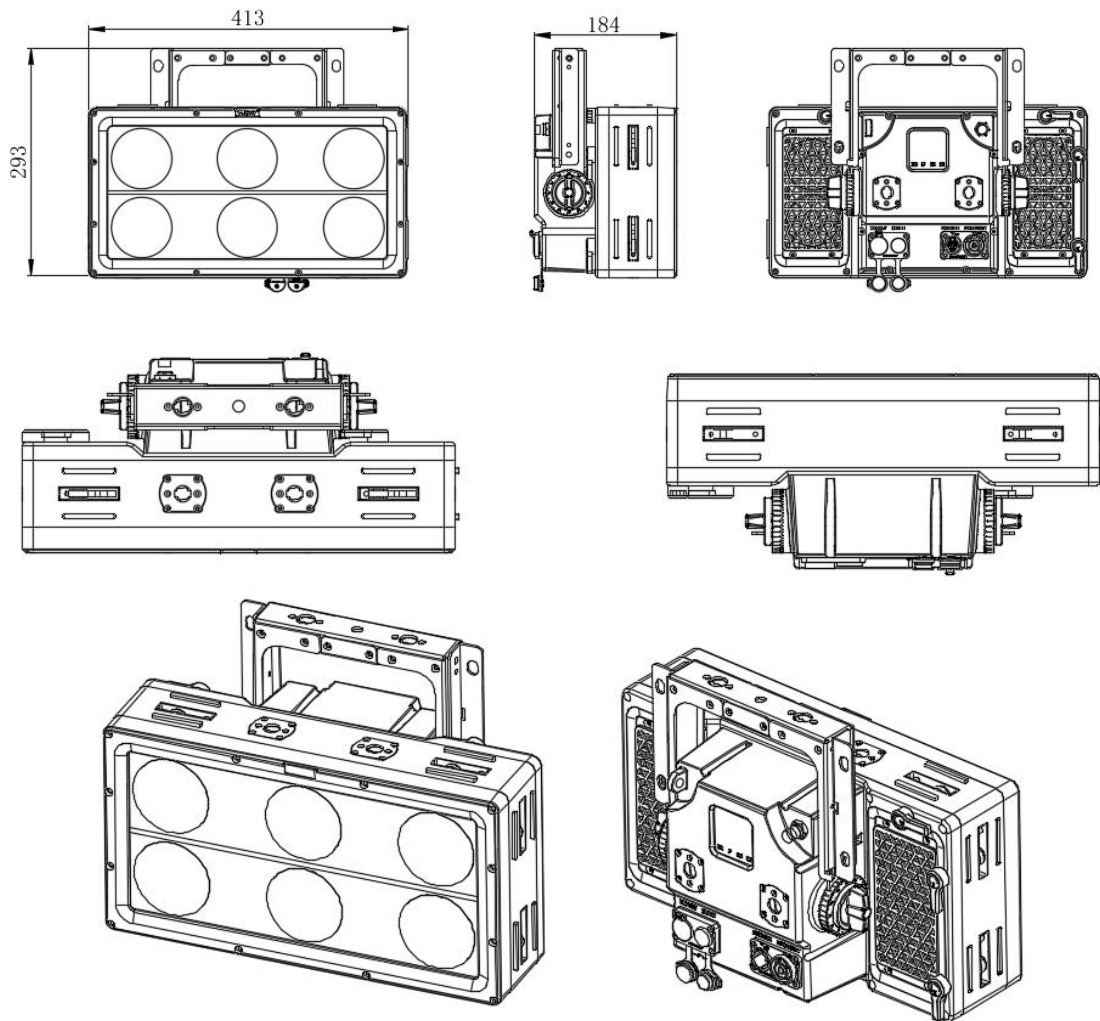


#### 4. Address code setting

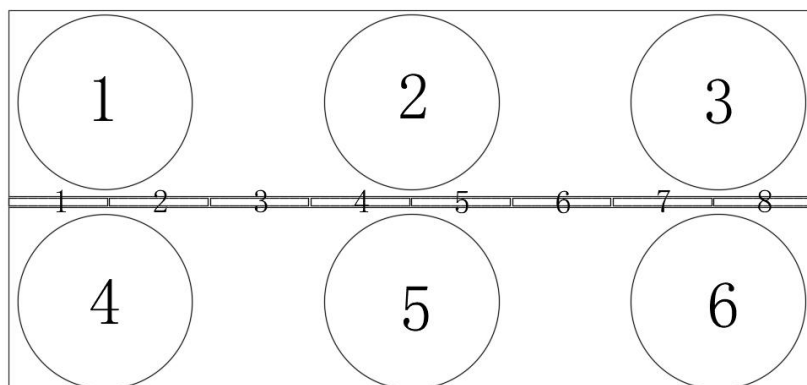
If you use a universal DMX controller to control the units, you have to set DMX address from 1 to 512 so that the units can receive DMX signal. Press the MENU button to enter menu mode, select DMX Settings, press the ENTER button to confirm, use the UP/DOWN button to select DMX Address, press the ENTER button to confirm, the present address will blink in the display, use the UP/DOWN button to adjust the address from 001 to 512, press the ENTER button to store. Press the MENU button back to the last menu or let the unit idle 30 seconds to exit menu mode. Please refer to the following diagram to address your DMX512 channel for the first 4 units.

Channel MODE	UNIT1 ADDRESS	UNIT2 ADDRESS	UNIT3 ADDRESS	UNIT4 ADDRESS
25CH	1	26	51	76
34CH	1	35	69	103
59CH	1	60	119	178

## 5. Fixture Size



## 6. pixel distribution



## 7. LED technical parameters

Input Voltage: 100-240V, 50/60Hz

Power consumption: 880W

Power supply: 1000W

Light source: 6PCSx100W RGBWW4IN1 LED

80PCSx4W Cold White

color system: RGBWW+CW

pixel matrix: CW LED 10 segment control

LED Life:>20000Hour

Fresnel thread mirror: 30 °

CCT:1800k-7000k

DMX Channel: 25/34/59CH

Operate mode: DMX512, Auto,Master/slave, /RDM

Dimmer: 0-100% Linear dimming

Dimming curve:Linear, Square Law, Inv SQ Law ,S Curve Multiple refresh rate settings to choose from

Dimming speed: fast, slow

Strobe: Strong output strobe effect at 1-20Hz

Fan mode:Fan mode: auto, low speed, high speed Excellent color mixing effect

Display: OLED display

Built in splicing lock for quick and seamless splicing

Signal input/output:3pin waterproof XLR socket (optional with 5pin)

Power socket: waterproof power connector input/output

Protection Rating: IP66

Size: 413x184x300mm

Net weight: 13.2kg

### Feature:

16BIT 0-100% dimming

High refresh rate, no flicker during shooting

High luminous efficiency, smooth and natural transition of light color

Good color mixing effect, bright and pure colors

pixel matrix: CW LED 10 segment control

RGBWW independent control

## 8. Menu Description

1 level menu	2level menu	3level menu	4 level menu	5level menu	
DMX set	DMX Add	1 - 512			
	Channel mode	25CH			
		34CH			
		59CH			
	Run mode	DMX			
Auto					
Effect set	Dimmer curve	linear			
		Square law			
		Inv sq law			
		s-curve			
	Dimmer speed	fast			
		slow			
	Refresh rate	600Hz			
		1200Hz			
		2400Hz			
		4800Hz			
		9600Hz			
		12000Hz			
	No date mode	back			
		hold			
	Fan mode	auto			
		slow			
		full			
Pixel invert	RGBWW Invert	No/yes			
	CW Invert	No/yes			
display	Display	normal			

		rotate	Rotate 180°		
		Display lock	on		
			off		
		Display intensity	1-100		
		Temp unit	° C		
			° F		
		Language	English		
			中文		
Auto	Auto1-Auto 6				
Fixture test	Test All	testing			
	Test Effect	red			
		° ° °			
		UV			
DMX live		0 - 255			
Manual control		0 - 255			
service	password	calibration	LED calibration	red	127 -> 255
				° ° °	
				White	127 -> 255
		Factory default	no		
			yes		
		Clear power On time	no		
	yes				
	Clear led hours	no			
yes					
informati on	Power on time	xxxxxH			
	LED hours	xxxxxH			
	SW Version	1U: Vxx			
		2U: Vxx			
		3U: Vxx			
	RDM UID	0XXXXX-XX XXXXXX			
	temp	LEDxxx			



## 9. DMX51

### 25CH

CH	Function	value	Effect
1	R	000 - 255	0-100%
2	G	000 - 255	0-100%
3	B	000 - 255	0-100%
4	WW	000 - 255	0-100%
5	CTO	000 - 003	NO Function
		004 - 255	Color temperature from low to high
6	RGBWW Strobe	000 - 009	Open
		010 - 081	Strobe
		082 - 091	Open
		092 - 163	Pulse Strobe
		164 - 173	Open
		174 - 245	Random strobe
		246 - 255	Open
7	RGBWW Dimmer	000 - 255	0-100%
8	RGBWW Dimmer fine	000 - 255	0-100%
9	RGBWW Color macro	000 - 010	NO Function
		011 - 017	color1
		018 - 025	color2
		026 - 033	color3
		034 - 041	color4
		042 - 049	color5
		050 - 057	color6
		058 - 065	color7
		066 - 073	color8
		074 - 081	color9
		082 - 089	color10

		090 - 097	color11
		098 - 105	color12
		106 - 113	color13
		114 - 121	color14
		122 - 129	color15
		130 - 137	color16
		138 - 145	color17
		146 - 153	color18
		154 - 161	color19
		162 - 169	Color effect1
		170 - 177	Color effect2
		178 - 185	Color effect3
		186 - 193	Color effect4
		194 - 201	Color effect5
		202 - 209	Color effect6
		210 - 217	Color effect7
		218 - 225	Color effect8
		226 - 233	Color effect9
		234 - 241	Color effect10
		242 - 249	Color effect11
		250 - 255	Color effect12
10	RGBWW Color macro Speed	000 - 255	Color effect speed changes from slow to fast
11	RGBWW Effect	000 - 009	NO Function
		010 - 016	Effect1
		017 - 023	Effect2
		024 - 030	Effect3
		031 - 037	Effect4
		038 - 044	Effect5
		045 - 051	Effect6
		052 - 058	Effect7

		059 - 065	Effect8
		066 - 072	Effect9
		073 - 079	Effect10
		080 - 086	Effect11
		087 - 093	Effect12
		094 - 100	Effect13
		101 - 107	Effect14
		108 - 114	Effect15
		115 - 121	Effect16
		122 - 128	Effect17
		129 - 135	Effect18
		136 - 142	Effect19
		143 - 149	Effect20
		150 - 156	Effect21
		157 - 163	Effect22
		164 - 170	Effect23
		171 - 177	Effect24
		178 - 184	Effect25
		185 - 191	Effect26
		192 - 198	Effect27
		199 - 205	Effect28
		206 - 212	Effect29
		213 - 219	Effect30
		220 - 226	Effect31
		227 - 233	Effect32
		234 - 240	Effect33
		241 - 255	Effect34
12	RGBWW Effect speed	000 - 255	Effect speed changes from slow to fast
13	Background Red	000 - 255	0-100%
14	Background Green	000 - 255	0-100%
15	Background Blue	000 - 255	0-100%

16	Background Warm white	000 - 255	0-100%
17	Background dimmer	000 - 255	0-100%
18	CW Strobe	000 - 009	Open
		010 - 081	Strobe
		082 - 091	Open
		092 - 163	Pulse Strobe
		164 - 173	Open
		174 - 245	Random strobe
		246 - 255	Open
19	CW dimmer	000 - 255	0-100%
20	CW dimmer fine	000 - 255	0-100%
21	CW Strobe intensity	000 - 255	Intensity from low to high
22	CW Strobe frequency	000 - 009	No functionality
		010 - 255	Strobe frequency changes from slow to fast
23	CW Effect	000 - 009	NO Function
		010 - 016	Effect1
		017 - 023	Effect2
		024 - 030	Effect3
		031 - 037	Effect4
		038 - 044	Effect5
		045 - 051	Effect6
		052 - 058	Effect7
		059 - 065	Effect8
		066 - 072	Effect9
		073 - 079	Effect10
		080 - 086	Effect11
		087 - 093	Effect12
		094 - 100	Effect13
		101 - 107	Effect14
		108 - 114	Effect15
		115 - 121	Effect16
122 - 128	Effect17		

		129 - 135	Effect18
		136 - 142	Effect19
		143 - 149	Effect20
		150 - 156	Effect21
		157 - 163	Effect22
		164 - 170	Effect23
		171 - 177	Effect24
		178 - 184	Effect25
		185 - 191	Effect26
		192 - 198	Effect27
		199 - 205	Effect28
		206 - 212	Effect29
		213 - 219	Effect30
		220 - 226	Effect31
		227 - 233	Effect32
		234 - 240	Effect33
		241 - 255	Effect34
24	CW Effect speed	000 - 255	Effect speed changes from slow to fast
25	Function	000 005	NO Function
		006 010	Dimming curve straight line
		011 015	Square law of dimming curve
		016 020	Inverse square law of dimming curve
		021 025	Dimming curve S-curve
		026 030	NO Function
		031 035	NO Function
		036 040	Fast dimming speed
		041 045	Slow dimming speed
		046 050	NO Function
		051 055	Fan mode automatic
		056 060	Fan mode low speed
		061 065	Fan mode high speed
		066 070	NO Function
		071 075	RGBWW reverse off

		076	080	RGBWW reverse on
		081	090	NO Function
		091	095	CW reverse off
		096	100	CW reverse on
		101	255	NO Function

### 34CH

CH	Function	value	Effect
1	R1	000 - 255	0-100%
2	G1	000 - 255	0-100%
3	B1	000 - 255	0-100%
4	WW1	000 - 255	0-100%
5	R2	000 - 255	0-100%
6	G2	000 - 255	0-100%
7	B2	000 - 255	0-100%
8	WW2	000 - 255	0-100%
9	R3	000 - 255	0-100%
10	G3	000 - 255	0-100%
11	B3	000 - 255	0-100%
12	WW3	000 - 255	0-100%
13	R4	000 - 255	0-100%
14	G4	000 - 255	0-100%
15	B4	000 - 255	0-100%
16	WW4	000 - 255	0-100%
17	R5	000 - 255	0-100%
18	G5	000 - 255	0-100%
19	B5	000 - 255	0-100%
20	WW5	000 - 255	0-100%
21	R6	000 - 255	0-100%

22	G6	000 - 255	0-100%
23	B6	000 - 255	0-100%
24	WW6	000 - 255	0-100%
25	CW1	000 - 255	0-100%
26	CW2	000 - 255	0-100%
27	CW3	000 - 255	0-100%
28	CW4	000 - 255	0-100%
29	CW5	000 - 255	0-100%
30	CW6	000 - 255	0-100%
31	CW7	000 - 255	0-100%
32	CW8	000 - 255	0-100%
33	CW9	000 - 255	0-100%
34	CW10	000 - 255	0-100%

## 59CH

CH	Function	value	Effect
1	R	000 - 255	0-100%
2	G	000 - 255	0-100%
3	B	000 - 255	0-100%
4	WW	000 - 255	0-100%
5	CTO	000 - 003	NO Function
		004 - 255	Color temperature from low to high
6	RGBWW Strobe	000 - 009	Open
		010 - 081	Strobe
		082 - 091	Open
		092 - 163	Pulse Strobe
		164 - 173	Open
		174 - 245	Random strobe
		246 - 255	Open

7	RGBWW Dimmer	000 - 255	0-100%
8	RGBWW Dimmer fine	000 - 255	0-100%
9	RGBWW Color macro	000 - 010	NO Function
		011 - 017	color1
		018 - 025	color2
		026 - 033	color3
		034 - 041	color4
		042 - 049	color5
		050 - 057	color6
		058 - 065	color7
		066 - 073	color8
		074 - 081	color9
		082 - 089	color10
		090 - 097	color11
		098 - 105	color12
		106 - 113	color13
		114 - 121	color14
		122 - 129	color15
		130 - 137	color16
		138 - 145	color17
		146 - 153	color18
		154 - 161	color19
		162 - 169	Color effect1
		170 - 177	Color effect2
		178 - 185	Color effect3
186 - 193	Color effect4		
194 - 201	Color effect5		
202 - 209	Color effect6		
210 - 217	Color effect7		
218 - 225	Color effect8		
226 - 233	Color effect9		
234 - 241	Color effect10		



		242 - 249	Color effect11
		250 - 255	Color effect12
10	RGBWW Color macro Speed	000 - 255	Color effect speed changes from slow to fast
11	RGBWW Effect	000 - 009	NO Function
		010 - 016	Effect1
		017 - 023	Effect2
		024 - 030	Effect3
		031 - 037	Effect4
		038 - 044	Effect5
		045 - 051	Effect6
		052 - 058	Effect7
		059 - 065	Effect8
		066 - 072	Effect9
		073 - 079	Effect10
		080 - 086	Effect11
		087 - 093	Effect12
		094 - 100	Effect13
		101 - 107	Effect14
		108 - 114	Effect15
		115 - 121	Effect16
		122 - 128	Effect17
		129 - 135	Effect18
		136 - 142	Effect19
		143 - 149	Effect20
		150 - 156	Effect21
		157 - 163	Effect22
		164 - 170	Effect23
		171 - 177	Effect24
		178 - 184	Effect25
		185 - 191	Effect26
192 - 198	Effect27		

		199 - 205	Effect28
		206 - 212	Effect29
		213 - 219	Effect30
		220 - 226	Effect31
		227 - 233	Effect32
		234 - 240	Effect33
		241 - 255	Effect34
12	RGBWW Effect speed	000 - 255	Effect speed changes from slow to fast
13	Background Red	000 - 255	0-100%
14	Background Green	000 - 255	0-100%
15	Background Blue	000 - 255	0-100%
16	Background Warm white	000 - 255	0-100%
17	Background dimmer	000 - 255	0-100%
18	CW Strobe	000 - 009	Open
		010 - 081	Strobe
		082 - 091	Open
		092 - 163	Pulse Strobe
		164 - 173	Open
		174 - 245	Random strobe
		246 - 255	Open
19	CW dimmer	000 - 255	0-100%
20	CW dimmer fine	000 - 255	0-100%
21	CW Strobe intensity	000 - 255	Intensity from low to high
22	CW Strobe frequency	000 - 009	No functionality
		010 - 255	Strobe frequency changes from slow to fast
23	CW Effect	000 - 009	NO Function
		010 - 016	Effect1
		017 - 023	Effect2
		024 - 030	Effect3
		031 - 037	Effect4

		038 - 044	Effect5
		045 - 051	Effect6
		052 - 058	Effect7
		059 - 065	Effect8
		066 - 072	Effect9
		073 - 079	Effect10
		080 - 086	Effect11
		087 - 093	Effect12
		094 - 100	Effect13
		101 - 107	Effect14
		108 - 114	Effect15
		115 - 121	Effect16
		122 - 128	Effect17
		129 - 135	Effect18
		136 - 142	Effect19
		143 - 149	Effect20
		150 - 156	Effect21
		157 - 163	Effect22
		164 - 170	Effect23
		171 - 177	Effect24
		178 - 184	Effect25
		185 - 191	Effect26
		192 - 198	Effect27
		199 - 205	Effect28
		206 - 212	Effect29
		213 - 219	Effect30
		220 - 226	Effect31
		227 - 233	Effect32
		234 - 240	Effect33
		241 - 255	Effect34
24	CW Effect speed	000 - 255	Effect speed changes from slow to fast
25	R1	000 - 255	0-100%

26	G1	000 - 255	0-100%
27	B1	000 - 255	0-100%
28	WW1	000 - 255	0-100%
29	R2	000 - 255	0-100%
30	G2	000 - 255	0-100%
31	B2	000 - 255	0-100%
32	WW2	000 - 255	0-100%
33	R3	000 - 255	0-100%
34	G3	000 - 255	0-100%
35	B3	000 - 255	0-100%
36	WW3	000 - 255	0-100%
37	R4	000 - 255	0-100%
38	G4	000 - 255	0-100%
39	B4	000 - 255	0-100%
40	WW4	000 - 255	0-100%
41	R5	000 - 255	0-100%
42	G5	000 - 255	0-100%
43	B5	000 - 255	0-100%
44	WW5	000 - 255	0-100%
45	R6	000 - 255	0-100%
46	G6	000 - 255	0-100%
47	B6	000 - 255	0-100%
48	WW6	000 - 255	0-100%
49	CW1	000 - 255	0-100%
50	CW2	000 - 255	0-100%
51	CW3	000 - 255	0-100%
52	CW4	000 - 255	0-100%
53	CW5	000 - 255	0-100%
54	CW6	000 - 255	0-100%
55	CW7	000 - 255	0-100%
56	CW8	000 - 255	0-100%

57	CW9	000 - 255	0-100%
58	CW10	000 - 255	0-100%
59	Function	000 005	NO Function
		006 010	Dimming curve straight line
		011 015	Square law of dimming curve
		016 020	Inverse square law of dimming curve
		021 025	Dimming curve S-curve
		026 030	NO Function
		031 035	NO Function
		036 040	Fast dimming speed
		041 045	Slow dimming speed
		046 050	NO Function
		051 055	Fan mode automatic
		056 060	Fan mode low speed
		061 065	Fan mode high speed
		066 255	NO Function
		071 075	RGBWW reverse off
		076 080	RGBWW reverse on
		081 090	NO Function
		091 095	CW reverse off
096 100	CW reverse on		
101 255	NO Function		

## 10. Troubleshooting

**Following are a few common problems that may occur during operation. Here are some suggestions for troubleshooting:**

A. The unit does not work, no light and the fan does not work

Check the connected power.

Measure the voltage.

Check the power indicator to see whether it can be lit up or not.

B. Not responding to the DMX controller

Check whether the DMX connectors and the DMX cables are connected correctly.

Check whether the DMX address is correctly set.

If the intermittent DMX signal problem occurs, check whether the XLR socket and the signal cable are well connected.

Try it with another DMX controller.

Check whether the DMX cables run near or alongside to the high-voltage cables, which may damage or interfere with the signal circuit.



