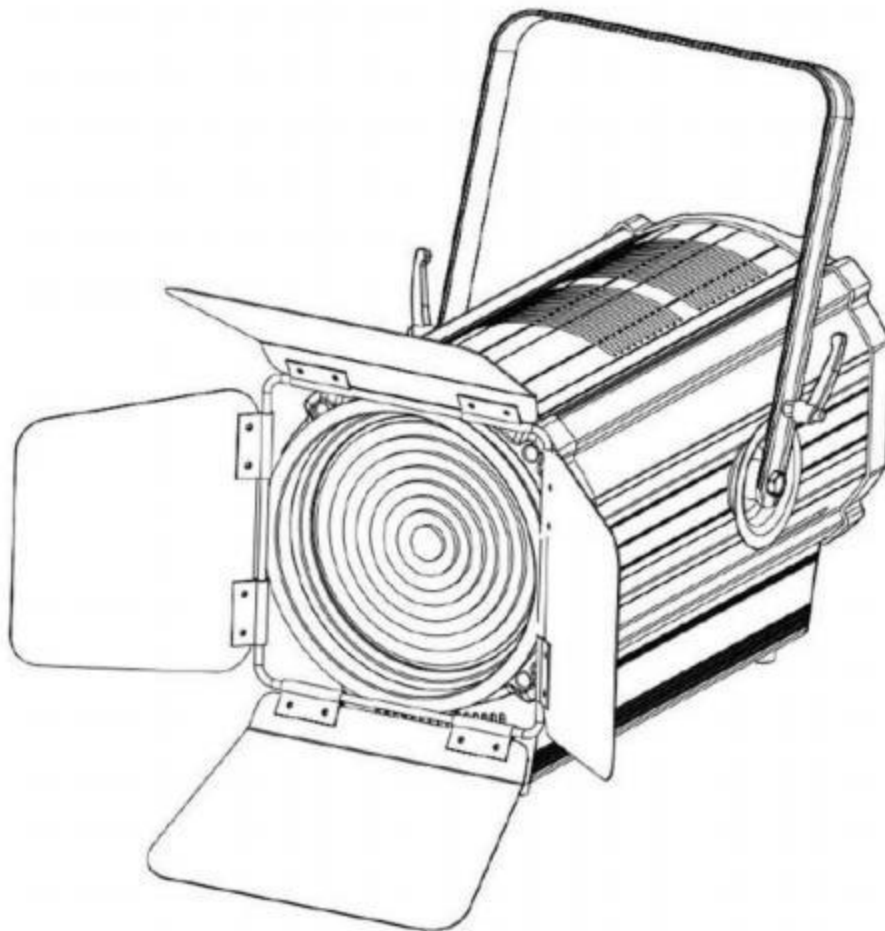


FSP300

User Manual



Advice before use

Read these instruction carefully.As soon as the equipment is delivered, Open packing and inspect the equipment Carefully.

If you notice any damage,immediately contact the transport company and register your Complaint in due form listing the defects.

Be sure thatthis equipment left our factouy in perfect condition.

Check if the received equipment is consistent with the delivery notice and if this deliver notice is consistent with your order.If it is not ,immediately contact with you supplier.

General Remarks

his luminaire is lighting equipment designed for professional use only indoors in theatre nd television or film studios.It must imperatively be connected to earth by means of its earth wire.

orevent any electrical shock, this equipment should not be opened when functioning.

Nevertheless:

part or lenses have to be replaced if they are visibly damaged and their efficiency ht be reduced, for example in case of deep cracks or scratches.The lamp must be ged if damaged or distorted by heat.If internal access is needed for control, service c repair purposes always refer to qualified personnel.

In all events, always unplug the power supply cable before opening.

It is the user's responsibility to use the luminaire for its intended purpose and to check the equipment that might be connected to it.

luminaire is a piece of professional equipment designed for easy and simple use Nevertheless, always refer to qualified personnel for any installation or repare work.

Important Remark

Power supply cables and other connections are essential for your equipment and contribute greatly to a safe and trouble free operation.

Always hold the plug when disconnecting a cable, never pull the cable.Never use cables nnectors in bad condition, check them before installation and periodically thereafter.Never tie power supply and data cables together

Electrical Connection

minaire is designed for operating at a nominal voltage of 230V.It is fitted with a 1.2msilicone power supply cable (3*1.5mm²)

ur own safety,make sure the earth wire(yellow-green)is ALWAYS connected to earth.

ATTENTION:



LETHAL VILTAGE PRESENT INSIDE

First of all, thank you for choosing our company's product. Please read this instruction manual carefully and completely, and keep it properly for reference during use. This instruction manual contains important information about the installation and use of this spotlight product. Please strictly follow these related instructions during installation and use.

The spotlight adopts cast aluminum shell, beautiful in appearance, smooth and strong, which fully embodies the characteristics of modern lighting products. The products are designed and produced according to strict standards and fully comply with the international standard DMX512 protocol. They can be controlled by a single unit or linked to each other. They are suitable for large-scale theatrical performances, theaters, studios, auditoriums, temples, churches and other places.

This luminaire uses high-precision fittings. When you receive the product, please handle it carefully and inspect the product for possible shipping damage. And check the following accessories:

Lighting---	1 PCS
power cable----	1 PCS
Signal line---	1 PCS
Manual---	1 PCS

Instructions

LED Fresnel Spotlight with Electric zoom If the product has gone through a large temperature difference (for example, after transportation), do not start the product immediately

The product will be damaged due to thermal expansion and contraction. Please wait until the device reaches normal room temperature before starting the product.

Pay attention to shocks. Avoid strong collisions during product installation.

Please do not lift the entire product by the lamp cap, because the mechanical properties of the equipment may be damaged.

When choosing an installation location, make sure that the product is not exposed to excessive heat, humidity or dust. Please do not put any wires on the ground, otherwise there may be danger of electric shock.

Before installing the product, make sure that the installation point is safe.

Please fasten the product with a safety rope and check if all the screws are correct when installing

Make sure that the lens is in good condition. When the lens is damaged or scratched, please replace the lens.

It is recommended that technicians familiar with this product operate this product. Non-technical personnel are forbidden to operate this equipment, because many losses are the result of non-professional operation.

Please keep the packing materials properly in case you need to carry out the second transportation.

If there is no guidance from the manufacturer or distributor, please do not modify the product without authorization.

Any equipment failure caused by the operation and use of this equipment not in

accordance with the provisions of the manual is not covered by the warranty. And any accidents caused by short circuit, injury, electric shock, ultraviolet rays, lamp explosion, etc. caused by this are not covered by the warranty.

4. Product hanging and installation

Note: For more safety, please hang and install this product away from aisles, seating areas, or areas within reach of people.

Before hanging the product, make sure that the installation point can bear 10 times the weight of the product.

The product installation must have double protection devices, such as safety ropes.

When hanging, removing or repairing this product, it is forbidden to stand under the installation point

product features

LED spotlight beads use EDISON integrated chip 3000K lamp beads, full color, pure color mixing, high brightness, long life, low light decay, and no flicker; there are many color temperatures to choose from.

The wire adopts high temperature resistant and antifreeze wire, which will not become dust after a period of time.

The lamp shell adopts the most abundant aluminum material and die-cast aluminum shell on the market, so that the whole lamp has better heat dissipation conditions, more resistant to fall, and will not be as easily deformed and broken as other lamps.

The electronic components of the power supply and the main board are all domestic well-known electronic components, thus ensuring the core quality of the whole lamp and greatly reducing the failure rate

technical parameter

Voltage: AC100-230V 50-60HZ

light source: 300W EDISON LED

CT: 3000K

CRI: 95

Zoom angle: 15-55°

Channel Channel: 2/3CH

Control mode: DMX512 ,Master-slave, Auto, voice control, RDM

Dimming: 16Bit linear dimming

Lens: Fresnel threaded lens

Dimming and zoom function with manual knob

Maximum ambient temperature: <40°

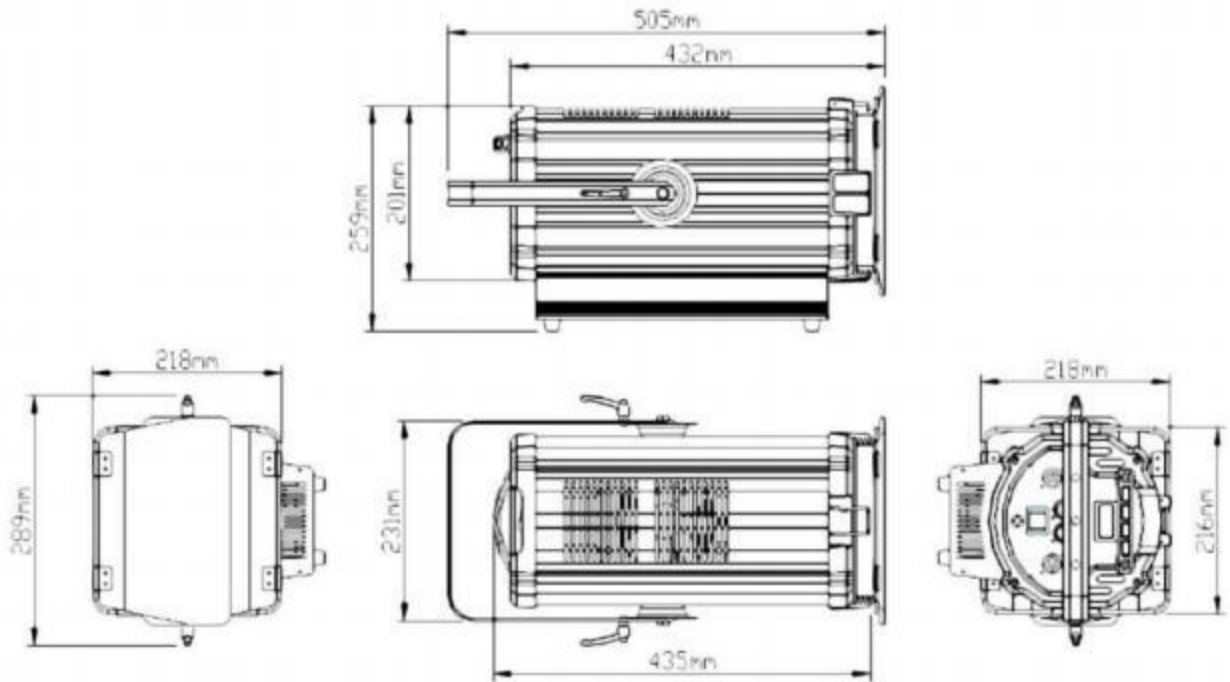
Maximum surface temperature: <85°

Lighting size: 43x29x26CM

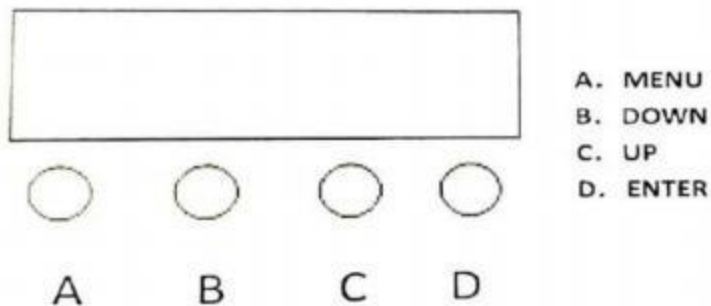
Product features: beautiful appearance, light weight, first-class optical system, pure color temperature, uniform light spot LCD display, with real-time temperature indication;

high-efficiency constant current 2-way drive, 16Bit linear dimming, no flicker; built-in stroboscopic, master-slave Working mode RDM and other working modes; Fresnel optical lens; full power and ultra-long projection distance; smooth dimming; automatic identification of master and slave, intelligent silent fan, intelligent control. With 2 dimmable and adjustable potentiometers for easy operation

Product Size



Menu operation instructions



Operation instructions: Press function key A to cycle through 6 different functional effects. The first two digits of the digital tube represent the current function (refer to the function table). The last two digits represent the address code or speed parameter of the function. Press B or C to modify its parameter value. Press D key to confirm.

LED display window function comparison table, (all functions can be selected and then confirmed by D key)

Number	Display	Function
1	DMX-3CH D:001	3-channel address code, (001-512) B, C key plus or minus the address code value
2	DMX-2CH D:001	2-channel address code, (001-512) B, C key plus or minus the address code value Strobe, (00-99)
3	Pulse D:[099]	Strobe, (00-99) B, C keys to modify the flash speed Color is controlled by (color selection)
4	Voice Running	voice-activated changes
5	Color W D:255	Brightness color selection, (000—255) B, C keys to modify the color selection If it is adjusted to 000 (Pulse), the flash will not light up
6	Focus [000]	Motor position, (000-255) B, C keys to modify the motor position
7	[000]RR [000]FF	potentiometer dimming potentiometer zoom

Note: The seventh option potentiometer dimming and scaling is only for potentiometer function, other operation modes have no effect

The DMX512 Channel

2CH

Channel	Function	Introduction
1CH	Dimmer	0-255 LED Dimmer Linear dimming from dark to bright 0-255 LED
2CH	ZOOM	Focal length from small to large

3CH

Channel	Function	Introduction
---------	----------	--------------

1CH	Dimmer	0-255 LED Dimmer Linear dimming from dark to bright 0-255 LED
2CH	Strobe	0-255 Stroboscopic speed adjustment
3CH	ZOOM	Focal length from small to large

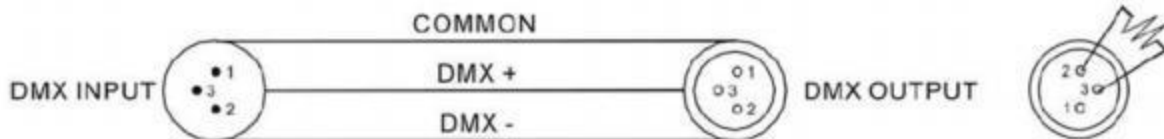
RDM Introduction RDM 说明

Number	Function	Introduction
1	Feedback (address code)	free to change
2	Feedback (Channel Mode)	free to change
3	Feedback (device temperature)	cannot be changed

In the address code state, after multiple machines are connected, if there is no console, the master-slave online function can be realized to operate one of the devices, and the rest of the devices in the address state follow the host to run the program synchronously. After the console is connected, if the console signal is received, the device in the address state can be controlled by the console.

DMX connection

DMX512 is widely used in lamp control, and can control up to 512 channels



On the last luminaire, a terminator is required for the DMX signal line. Solder a 120 Ω, 1/4W resistor between pin2 and pin3, install it into the 3-pin XLR plug and plug it into the DMX output port of the last lamp.

Use the XLR signal cable to connect the lamp, one end to the output port of the lamp, and the other end to the output port of the next lamp. The XLR signal cable can only be used in series, not parallel. DMX512 signal transmission speed is very fast. Damage to the signal line, weak welding, poor contact, etc., will affect signal transmission and cause the system to shut down.

When the power supply of a certain lamp is cut off, the connection of DMX output and input is bypassed, so that the connection of DMX line can be maintained.

Each lamp needs an address code, which can receive the information sent by the console, ranging from 0 to 512. The terminal of the system needs to be equipped with a terminator

to reduce signal transmission errors.

DMX address code setting

When using a universal DMX console to control a lamp, please set the start address code (1 ~ 512) for the lamp first, so that the lamp can receive DMX signals.

Press the MENU button until the DMX address is displayed on the screen, press the ENTER button, and use the DOWN /UP button to change the DMX512 address. Press the ENTER button until the display stops flashing or it is automatically saved after one minute.

To return to the main menu, press the MENU button.