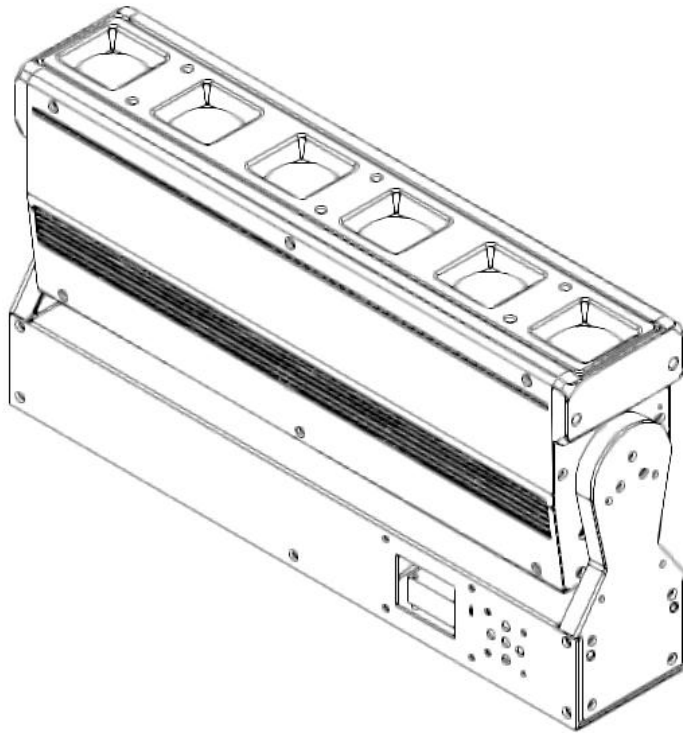


6x40W Beam zoom Moving Bar



B0640Z

Manual

Precautions:

Thank you for choosing to use our 6*40W beam zoom moving bar. In order to use this product correctly and safely, please read the instructions carefully before installing and using this product. This manual contains important installation and application information. When installing and operating the product, please strictly follow the instructions. At the same time, please keep this manual properly.

6 * 40W beam zoom moving bar is made of engineering plastics and aluminum alloy. This product is designed and produced in strict accordance with CE standards. It complies with the international standard DMX512 signal protocol. It can be used alone for control or online. It has the characteristics of fast rotation, low noise and powerful functions. Suitable for small and medium-sized concerts, theaters, studios, nightclubs, bars and other places

This product uses high-brightness and stable LED (4IN1-R G B W) lamp beads. Please take out the packaging carefully. After taking out the package, please check whether the product is damaged during transportation, and check whether the following items are complete.

Moving head light----- 1	Manual----- 1
Power cord----- 1	Signal line----- 1

The product is complete before leaving the factory. In order to keep the product in good condition and ensure safe operation, the user should abide by the safety matters and warnings in this manual.

Important note: damage caused by non-compliance with this manual is not covered by the warranty

The supplier is not responsible for product problems caused by this.

If the product is in an extremely unstable temperature environment (for example, after transportation), please do not connect the product to the power supply immediately, because the water droplets produced by temperature changes may damage the product. Please use this product after returning to normal temperature.

This product can be used in the voltage range of 90-240V, and is a product for indoor use. Please make sure that the ground voltage is not higher than the acceptable range of the product! ! The power plug must be inserted into a Type I protective socket. The yellow-green or tea-cyan conductor must be grounded.

Please check the power cord of this product frequently. Make sure that the power cord is not folded, damaged or scratched, and not connected to another power cord! Please pay special attention when connecting the power cord or related wiring. When not using

this product or before cleaning, be sure to unplug the power source. Before using the product, please familiarize yourself with the operating functions of the product. Please do not allow children or professionals to touch the product. Please do not shake this product. Do not use brute force when installing or operating the product. Do not let non-professionals operate the product. Most of the damage is caused by unprofessional operations.

Please do not modify this product without authorization, otherwise the product may be damaged, so the damage caused is not covered by the warranty. In addition, non-professional operations may cause short circuits, burns or electric shocks.

注意事项:

感谢您选择使用我们的 6 颗 40W 调焦长条摇头。为了正确, 安全地使用本产品, 请在安装和使用本产品之前仔细阅读说明。本手册包含重要的安装和应用程序信息。在安装和操作产品时, 请严格按照说明进行操作。同时, 请妥善保管本手册。

6 颗 40W 调焦长条摇头由工程塑料和铝合金制成。本产品严格按照 CE 标准设计和生产。它符合国际标准 DMX512 信号协议。它可以单独用于控制或在线使用。具有旋转快, 噪音小, 功能强大的特点。适用于中小型音乐会, 剧院, 录音室, 夜总会, 酒吧等场所

该产品使用高亮度且稳定的 LED (4IN1-R G B W) 灯珠。请小心取出包装。取出包装后, 请检查产品在运输过程中是否损坏, 并检查以下

物品是否齐全。

摇头灯----- 1 手册----- 1

电源线----- 1 信号线----- 1

产品出厂前已完成。为了使产品保持良好状态并确保安全操作，用户应遵守本手册中的安全事项和警告。

重要说明：由于不遵守本手册而造成的损坏不在保修范围内
供应商对由此引起的产品问题概不负责。

如果产品处于极端不稳定的温度环境中（例如，运输后），请不要立即将产品连接到电源，因为温度变化产生的水滴可能会损坏产品。恢复正常温度后，请使用本产品。

本产品可在 90-240V 的电压范围内使用，并且是室内使用的产品。请确保接地电压不高于产品的可接受范围！！电源插头必须插入 I 型保护插座中。黄绿色或茶青色导体必须接地。

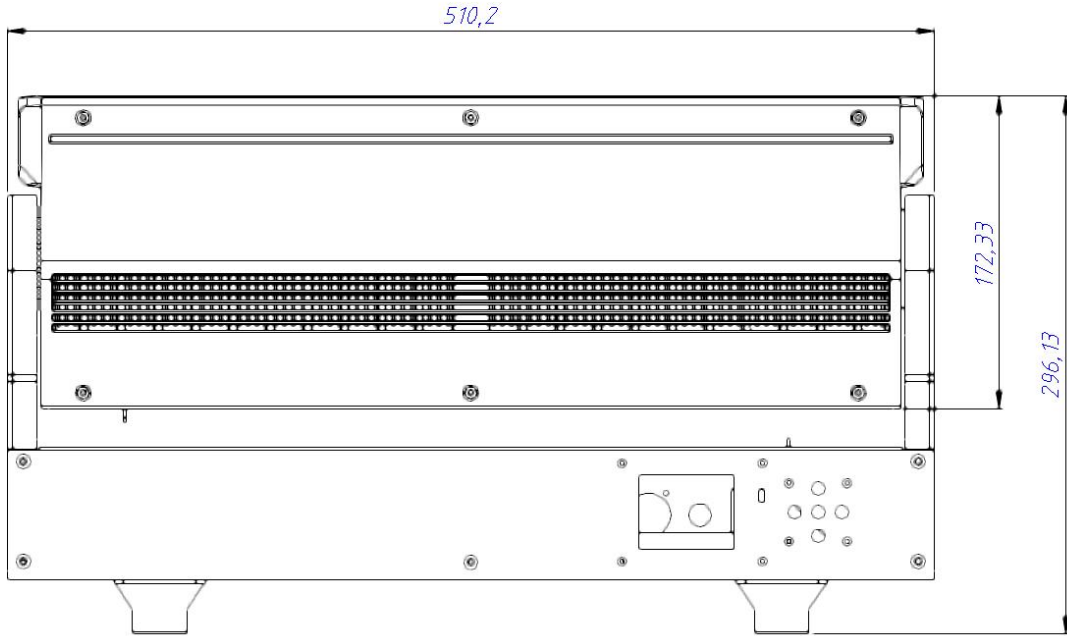
请经常检查本产品的电源线。确保电源线没有折叠，损坏或刮擦，并且未连接到其他电源线！连接电源线或相关接线时，请特别注意。不使用本产品时或清洁前，请务必拔下电源。

在使用产品之前，请先熟悉产品的操作功能。请不要让儿童或专业人员触摸产品。请不要摇动本产品。在安装或操作产品时，请勿使用蛮力。请勿让非专业人士操作产品。大部分损坏是由不专业的操作造成的。

请不要擅自修改本产品，否则产品可能会损坏，因此造成的损坏不在保修范围之内。此外，非专业操作可能会导致短路，烧伤或电击。

Lighting size:

灯具尺寸:



Parameter characteristics:

参数特点:

Input Voltage: 100-240V,50/60Hz

Light Source: 6*40W RGBW 4in1

Light source life: 50000 hours

Zoom angle: 5-45°

10000LUX@5M

Dimmer:0-100%(16bit)

Strobe:1-20Hz

DMX Channels: 18/32CH

Operate mode: Master/Slave,Auto,Sound active,DMX512,RDM

N. W:9KG

Lighting size:51x10x30CM

输入电压: 100-240V, 50 / 60Hz

光源: 6 颗 40W RGBW 4in1

光源寿命: 50000 小时

变焦角度: 5-45°

10000LUX @ 5M

调光: 0-100% (16bit)

频闪: 1-20Hz

DMX 通道: 18 / 32CH

操作模式: 主/从, 自动, 声音激活, DMX512, RDM

净重: 9KG

照明尺寸: 51x10x30CM

Features:

The appearance is simple, the structure is compact, the shell is made of aluminum alloy and engineering plastics, the volume is small, the weight is light, and the side wall has a positioning splicing shaft design to keep the lamps vertically spliced in a straight line. The operation is simple and convenient. After splicing, the distance between the lamp beads is equal, so that The overall lighting effect is continuous, a single light source is controllable, a variety of color macro effects, 16bit dimming, efficient heat dissipation system, full temperature monitoring, automatic over-temperature protection, only fan speed adjustment, real-time temperature display, one-key inverted display settings

特点:

外观简洁，结构紧凑，外壳采用铝合金和工程塑料制作，体积小，重量轻，侧壁有定位拼接轴设计，保持灯具纵向拼接在直线上，操作简单方便，拼接后，灯珠间距相等，使灯光效果整体连续，单颗光源可控，多种颜色宏效果，16bit 调光, 高效散热系统，全程温度监测，过温自动调节保护，只能风扇调速，实时显示温度，一键倒显设置

Menu description:

菜单说明:

main menu	Secondary menu	Three-level menu	parameter
DMX Address	001 - 512		
Fixture	Ch Mode	STD/EXT	
	Run Mode	DMX/Host/Sound	
	Tilt Inv	Close/Open	
Manual	Tilt	0 - 255	
	Tilt Fine	0 - 255	
	.	0 - 255	
	.	0 - 255	
	.	0 - 255	
Information	Time	Current Time	xxxh
		Total Time	xxxh
		Power Count	xxx
	Sensor	Tilt	TRUE/FALSE
		Zoom1	TRUE/FALSE
		Zoom2	TRUE/FALSE
		Temp	TRUE/FALSE
	Temperature	Head Temp	xxx C
	Software Version	Panel	Vx.xxx
		Dimmer	Vx.xxx
Factory	Password	0 - 255	
	Tilt	0 - 255	
	Zoom1	0 - 255	
	Zoom2	0 - 255	
	Red	0 - 255	
	Green	0 - 255	
	Blue	0 - 255	
	White	0 - 255	
Fixture Reset	Reset	Run/OFF	
	Factory	Run/OFF	

Display	Language	EN/CH	
	Display Flip	Normal/Reverse	
	Display Mode	Show/60s	

主菜单	次级菜单	三级菜单/参数	参数
地址设置	001 - 512		
灯具设置	通道模式	18CH/32CH	
	运行模式	DMX/主控/声控	
	垂直反转	关闭/打开	
	垂直旋转	0 - 255	
	垂直微调	0 - 255	
	◦	0 - 255	
	◦	0 - 255	
	◦	0 - 255	
灯具信息	时间信息	当前时间	xxxh
		总时间	xxxh
		开机计数	xxx
		垂直	正常/错误
		放大 1	正常/错误
		放大 2	正常/错误
		温度传感	正常/错误
	温控信息	灯头温度	xxx C
	软件版本	显示版本	Vx.xxx
电机版本		Vx.xxx	
工厂设置	密码输入	0 - 255	
	垂直校正	0 - 255	
	放大 1	0 - 255	
	放大 2	0 - 255	
	红色校正	0 - 255	
	绿色校正	0 - 255	
	蓝色校正	0 - 255	
	白色校正	0 - 255	
灯具复位	电机复位	取消/执行	

	出厂设置		取消/执行	
显示设置	语言设置		中文/英文	
	显示反转		正常/反转	
	显示模式		常亮/60s	

Channel:

通道:

18CH			
Channel	Function	Channel Value	Description
1	Tilt	0 - 255	Vertical rotation
2	Tilt Fine	0 - 255	Vertical fine-tuning
3	Tilt-Speed	0 - 255	Vertical motor speed
4	Zoom	0 - 255	enlarge
5	Dimmer	0 - 255	Dimming 8bit
6	Dim Fine	0 - 255	Dimming 16bit
7	Strobe	0 - 3	shut down
		4 - 103	Regular stroboscopic, the speed changes from slow to faster
		104 - 107	turn on
		108 - 207	Pulse stroboscopic, the speed changes from slow to fast
		208 - 212	turn on
		213 - 225	Random slow strobe
		226 - 238	Random medium speed strobe
		239 - 251	Random fast strobe
		252 - 255	turn on
8	Red	0 - 255	red
9	Green	0 - 255	green
10	Blue	0 - 255	blue
11	White	0 - 255	white
12	Inner Effect		Built-in effect selection
		0 - 10	no effect

		11 - 13	Static effect 1
		14 - 16	Static effect 2
	
		67 - 70	Static effect 20
		71 - 72	Dynamic effect 1
		73 - 75	Dynamic effect 2
	
		188 - 190	Dynamic effects 40
		191 - 193	Dynamic color effect 1
	
		218 - 220	Dynamic color effect 10
		221 - 255	Dynamic color effect 11
13	Effect Speed	0 - 255	Dynamic effect speed (from slow to fast)
14	LED Mirror	0 - 255	LED lamp beads left and right mirroring
15	For Color	0 - 255	Foreground color macro
16	Back Color	0 - 255	Background color macro
17	Back Color Dimmer	0 - 255	Background dimming
18	Function	0-100	Features
	Fixture Reset	101-120	Fixture reset
	Reserve	other	No effect

32CH			
Channel	Function	Channel Value	Description
1	Tilt	0 - 255	Vertical rotation
2	Tilt Fine	0 - 255	Vertical fine-tuning
3	Tilt-Speed	0 - 255	Vertical motor speed
4	Zoom	0 - 255	enlarge
5	Dimmer	0 - 255	Dimming 8bit
6	Dim Fine	0 - 255	Dimming 16bit
7	Strobe	0 - 3	shut down

		4 - 103	Regular stroboscopic, the speed changes from slow to faster
		104 - 107	turn on
		108 - 207	Pulse stroboscopic, the speed changes from slow to fast
		208 - 212	turn on
		213 - 225	Random slow strobe
		226 - 238	Random medium speed strobe
		239 - 251	Random fast strobe
		252 - 255	turn on
8	LED1 red	0 - 255	LED1 red
9	LED1 green	0 - 255	LED1 green
10	LED1 blue	0 - 255	LED1 blue
11	LED1 white	0 - 255	LED1 white
12	LED2 red	0 - 255	LED2 red
13	LED2 green	0 - 255	LED2 green
14	LED2 blue	0 - 255	LED2 blue
15	LED2 white	0 - 255	LED2 white
...
28	LED12 red	0 - 255	LED12 red
29	LED12 green	0 - 255	LED12 green
30	LED12 blue	0 - 255	LED12 blue
31	LED12 white	0 - 255	LED12 white
32	Function		Features
	Fixture Reset	101-120	Fixture reset
	Reserve	other	No effect

DMX-512 control connections

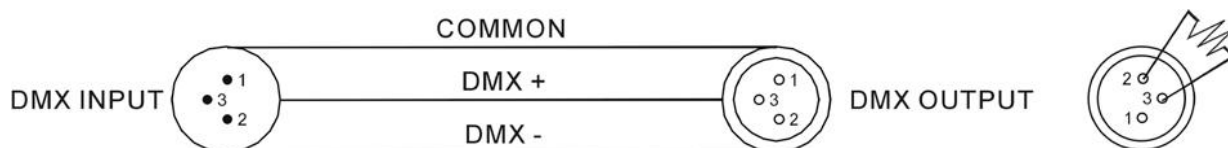
Connect the provided XLR cable to the female 3-pin XLR output of your controller and the other side to the male 3-pin XLR input of the moving head. You can chain multiple

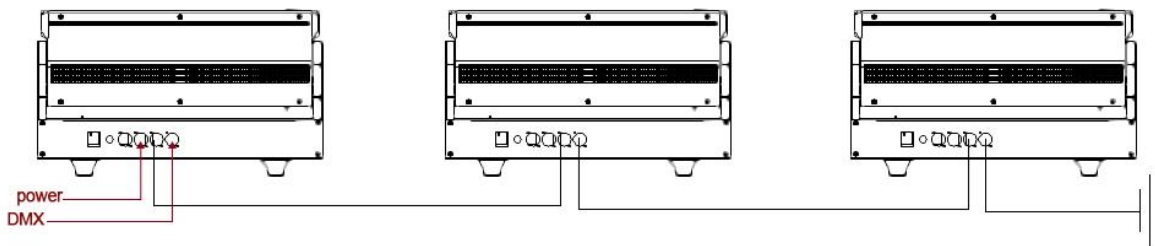
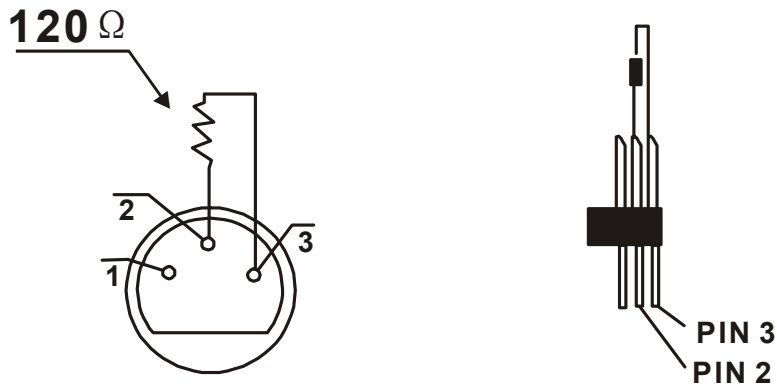
Moving heads be connected together through serial linking. The cable needed should be two core, screened cable with XLR input and output connectors.

For installations where the DMX cable has to run a long distance or is in an electrically noisy environment, such as in a discotheque, it is recommended to use a DMX terminator. This helps in preventing corruption of the digital control signal by electrical noise. The DMX terminator is simply an XLR plug with a 120 Ω resistor connected between pins 2 and 3, which is then plugged into the output XLR socket of the last fixture in the chain. Please see illustrations below

DMX-512 控制连接

将提供的 XLR 电缆连接到控制器的 3 针 XLR 母头输出，另一端连接到摇头的 3 针 XLR 母头输入。您可以连锁多个摇头通过串行链接连接在一起。所需的电缆应该是带有 XLR 输入和输出连接器的两芯屏蔽电缆。对于 DMX 电缆必须长距离运行或在嘈杂的环境（例如迪斯科舞厅）中的安装，建议使用 DMX 终结器。这有助于防止电噪声损坏数字控制信号。DMX 终结器只是一个 XLR 插头，在引脚 2 和 3 之间连接了一个 120 Ω 电阻，然后将其插入链中最后一个灯具的输出 XLR 插座。请参见下面的插图。





Safety introduction and product maintenance:

安全介绍及产品保养:

1. The power connection must be made by professionals.
2. Make sure that the use voltage is not higher or lower than the specified value in the instruction manual.
3. Confirm that the power cord is not cut or damaged by a sharp blade.
4. Be sure to disconnect the power supply when the lamp is not in use or before cleaning.
5. Only the plug is allowed to connect the power cord. When pulling out the plug, please do not pull the power cord forcibly.
6. Be careful when installing the lamps and avoid touching the bare

wires, otherwise you will suffer a fatal electric shock.

7. Please do not look directly at the light source when the lamp is in use, otherwise your eyes will be hurt.

8. When choosing the installation location, please ensure that the lamp is not exposed to extreme heat, humidity or dust. The distance between the lamp and the illuminated object must exceed 0.5 meters. Make sure that there are no flammable and explosive materials within 0.5 meters.

9. Please use proper and safe wires to connect the lamps.

10. Please operate after familiarizing with the function of the lamp. Most of the damage to the lamps is caused by improper operation, so non-professionals are not allowed to operate the lamps. Do not shake the lamp at will, and do not operate it roughly.

11. Please do not modify the lamp at will. Doing so may cause short circuit, burning, electric shock, etc., and cause malfunction and damage of the lamp. The manufacturer does not provide warranty

- 1、要由专业人员进行电源连接。
- 2、确认使用电压不要高于或低于使用说明手册的规定值。
- 3、确认电源线没有被利刃划破或损坏。
- 4、灯具在不用时或在清洁前一定要断开电源。
- 5、只允许用插头连接电源线，在拔插头时请不要用力拽电源线来拔出插头

- 6、在安装灯具的过程中要小心操作，避免触摸裸露的电线，否则会遭受致命电击。
- 7、灯具在使用时请不要直视光源，否则眼睛会受到伤害。
- 8、在选择安装位置时，请确保灯具不被暴露在极热、潮湿或灰尘的地方。灯具和被照射物体之间距离必须超过 0.5 米。确保在 0.5 米距离内没有易燃易爆物品。
- 9、请使用适当的、安全的电线连接灯具。
- 10、请在熟悉了灯具的功能后再进行操作。灯具的损坏大多数是由于不正当操作引起的，因此不允许非专业人员操作灯具。使用时不要随意摇晃灯具，不可粗暴操作。
- 11、请不要随意修改灯具，这样做可能会导致灯具出现短路、燃烧、电击等现象，而且因此而造成灯具的故障和损坏，生产厂家不予保修。

TROUBESHOOTING:

疑难处理:

For some normal troubleshooting, some solutions are recommended. It should always be solved by professionals disconnecting the power supply

LED is off

1. Please check if the proper voltage is installed
2. Please check whether the LED will reach the end of its service life and whether it will explode; please replace the lamp beads of

the same model

3. Please check whether the power supply voltage is sufficient.

The light cannot accept control commands:

1. Please check whether the start code address and function options are correct.

2. Please check whether the communication control cable is connected correctly or the cable is too long or interrupted.

3. Please check whether the control system is invalid and the signal amplifier connection of the chain is valid.

4. Please check whether the communication cable is too long or whether other devices interfere with each other.

5. Please arrange the wires, shorten the signal wires, and separate the high-voltage and low-voltage cables.

6. Increase the signal amplifier isolator.

7. The signal cable adopts excellent double-layer shielding (resistance 75 OHM)

对于一些正常的故障排除，建议使用一些解决方案。应始终由专业人员断开电源处理解决

LED 熄灭

- 1.请检查是否安装了合适的电压
- 2.请检查 led 是否会达到使用寿命，是否损坏请替换相同型的灯珠
- 3.请检查电源电压是否足够。

灯光无法接受控制命令：

- 1.请检查起始码地址和功能选项是否正确。
- 2.请检查通讯控制电缆是否连接正确或电缆太长或中断。
- 3.请检查控制系统是否无效，检查连接的信号放大器连接有效。
- 4.请检查通讯电缆是否太长或其他设备是否相互干扰。
- 5.请排好电线，缩短信号线，高压线和低压电缆分开。
- 6.增加信号放大隔离器。
- 7.信号电缆采用优良的屏蔽双层（电阻 75 OHM）

