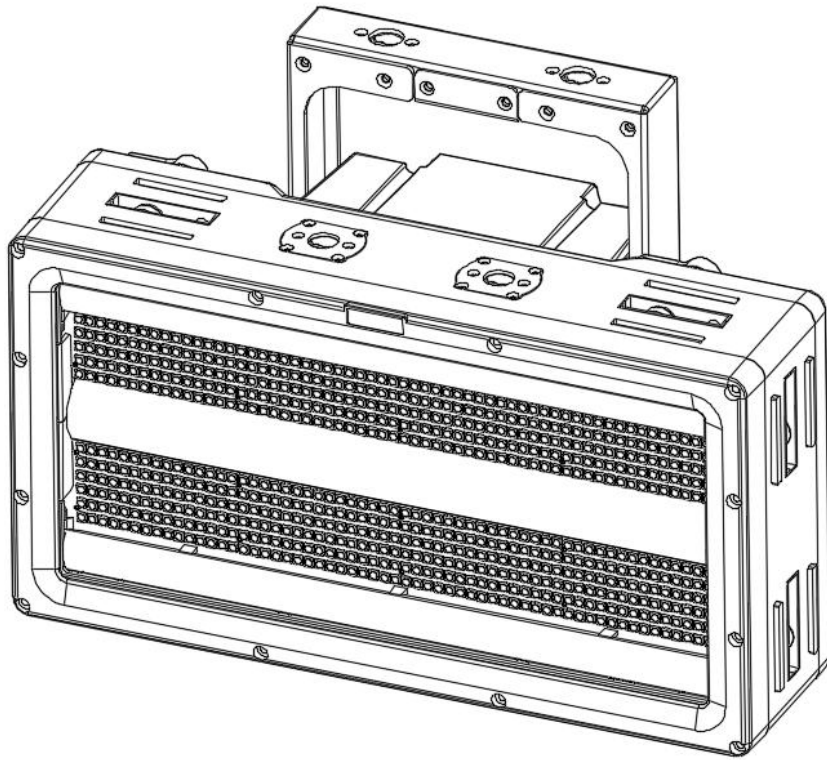


V8 Flasher



1. Safety Instructions

Please read the instruction carefully which includes important information about the installation, usage and maintenance.

- Please keep this User Guide for future consultation. If you sell the unit to another user, be sure that they also receive this instruction manual.
- Unpack and check carefully to ensure that there is no transportation damage before using the unit.
- This product is suitable for wet locations. Do not immerse in water.
- DO install and operate by qualified operator.
- DO NOT allow children to operate the fixture.
- Use safety chain when fixing the unit. Handle the unit by carrying its base instead of head only.
- The unit must be installed in a location with adequate ventilation, at least 50cm from adjacent surfaces.
- Be sure that no ventilation slots is blocked, otherwise the unit will be overheated.
- Before operation, ensure that you are connecting this product to the proper voltage in accordance with the specifications in this manual or on the product's specification label.
- It's important to ground the yellow/green conductor to earth in order to avoid electric shock.
- Minimum ambient temperature TA: 0°C. Maximum ambient temperature TA: 40°C. Do not operate this product at a lower or higher temperature.
- DO NOT connect the device to any dimmer pack
- Keep flammable materials away from the fixture while operating to avoid fire hazard.
- Make sure the power cord is not crimped or damaged; replace it immediately if damaged
- Unit's surface temperature may reach up to 65°C. DO NOT touch the housing bare-handed during its operation
- Avoid any flammable liquids, water or metal from entering the unit.
- DO NOT operate in a dirty or dusty environment. DO clean the fixture regularly.
- DO NOT touch any wire during operation as there might be a hazard of electric shock.
- Avoid entanglement of the power cord with other wires.
- The minimum distance to objects/surface must be more than 0.5 meters.
- In the event of serious operating problem, stop using the unit immediately.
- Never turn on and off the unit time after time.
- The housing, the lenses, or the ultraviolet filter must be replaced if they are visibly damaged

- DO NOT open the housing as there are no user serviceable parts inside.
- DO NOT attempt to operate this unit if it becomes damaged. DO NOT attempt any repairs yourself. Repairs carried out by unskilled people can lead to damage or malfunction. Please contact the nearest authorized technical assistance center if needed.
- Disconnect this product from its power source before servicing.
- DO use the original packaging if the device is to be transported.
- Avoid direct eye exposure to the light source while the product is on.
- DO NOT operate this product if you see damage on the housing, shields, or cables. Have the damaged parts replaced by an authorized technician at once.

2. INSTALLATIONS

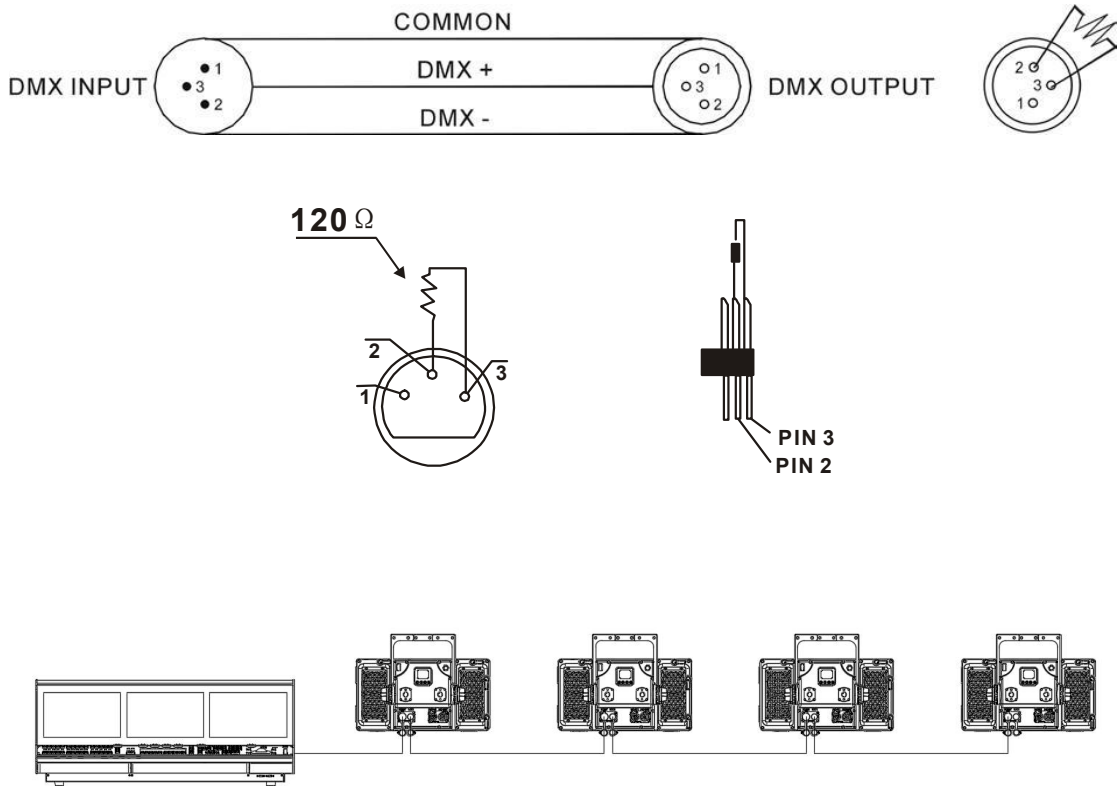
- installations Note: In order to increase protection, please install the lamp on the sidewalk, outside the seating area, or an area where unauthorized persons may touch the led
- Before installing the fixture on any surface, make sure that the installation area can bear the minimum point load above 10 points of the weight of the equipment. The installation of the fixing device must always be fixed with auxiliary safety accessories (such as a suitable safety rope) Do not stand directly under the equipment when installing, removing, or servicing fixtures
- Ensure that this fixture is kept at least 0.5m (1.5 feet) away from any flammable materials (decorations, etc.)
- Be sure to use and install the supplied safety rope to ensure safety and prevent accidental damage and/or injury in case the fixture is damaged
Installation point: Overhead installation requires a wealth of experience, including calculation of working load limits, in-depth understanding of the installation materials used, and regular safety inspections of all installation materials and fixtures. If you do not have these qualifications, please do not try to install it yourself. Improper installation can cause personal injury
Before connecting the main power cord to an appropriate wall outlet, make sure to complete all assembly and installation procedures

3. DMX-512 control connections

Connect the provided XLR cable to the female 3-pin XLR output of your controller and the other side to the male 3-pin XLR input of the moving head. You can chain multiple Moving heads be connected together through serial linking. The cable needed should be two core, screened cable with XLR input and output connectors.

For installations where the DMX cable has to run a long distance or is in an electrically noisy environment, such as in a discotheque, it is recommended to use a DMX terminator. This helps in preventing corruption of the digital control

signal by electrical noise. The DMX terminator is simply an XLR plug with a 120 Ω resistor connected between pins 2 and 3, which is then plugged into the output XLR socket of the last fixture in the chain. Please see illustrations below



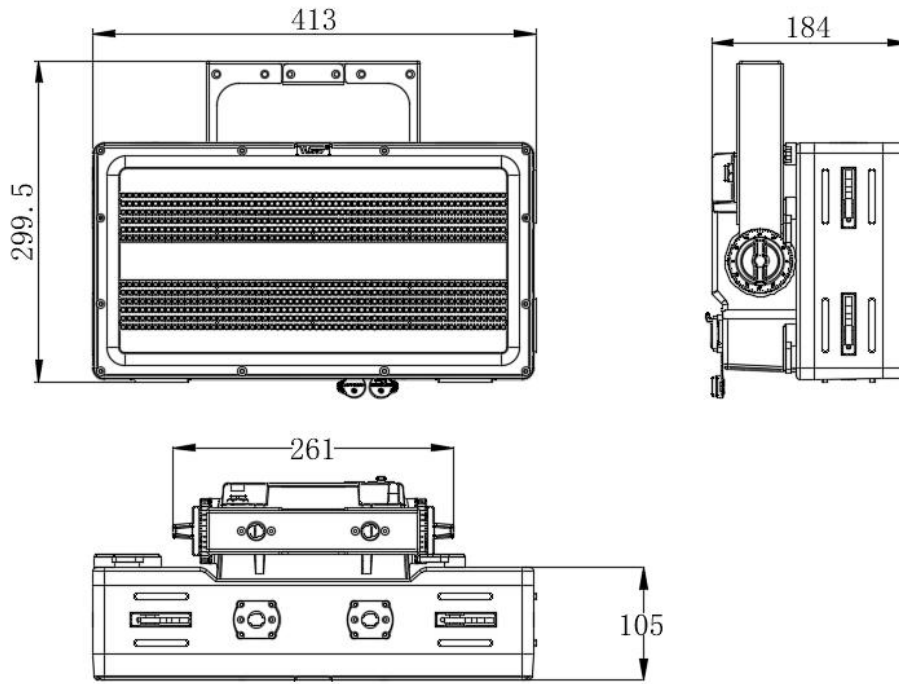
4. Address code setting

If you use a universal DMX controller to control the units, you have to set DMX address from 1 to 512 so that the units can receive DMX signal.

Press the MENU button to enter menu mode, select DMX Settings, press the ENTER button to confirm, use the UP/DOWN button to select DMX Address, press the ENTER button to confirm, the present address will blink in the display, use the UP/DOWN button to adjust the address from 001 to 512, press the ENTER button to store. Press the MENU button back to the last menu or let the unit idle 30 seconds to exit menu mode. Please refer to the following diagram to address your DMX512 channel for the first 4 units.

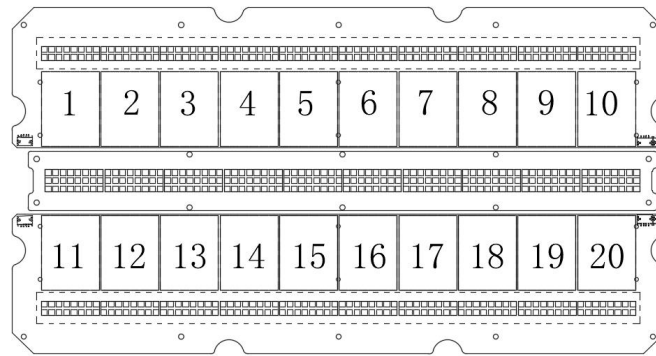
Channel MODE	UNIT1 ADDRESS	UNIT2 ADDRESS	UNIT3 ADDRESS	UNIT4 ADDRESS
20CH	1	21	41	61
120CH	1	121	241	361

5. Fixture size

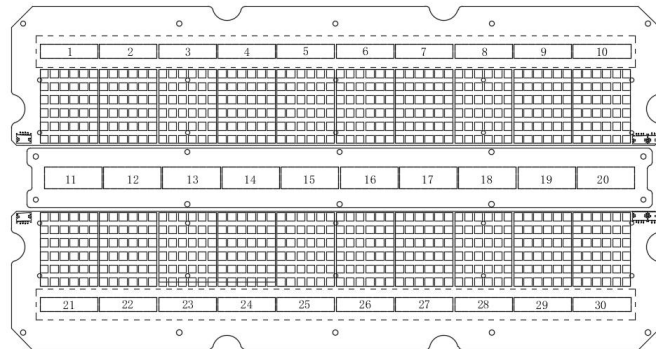


6. LED PIXEL ZONES

120CH RGB



120CH CW/WW



7. LED technical parameters

Input Voltage: 100-240V, 50/60Hz

Power consumption: 800W

Power supply: 1000W

RGB power: 700W

CW power: 800W

WW power: 800W

Light source: 720pcs 1.5W 5050 RGB LED

560pcs 4W 3535WW/CW 2in1 LED

Color temperature: WW:2000K CW:6000K

LED Life:>20000Hour

Main light: 30pcs WW/CW LED zones can be controlled individually

Auxiliary light: 20pcs RGB LED zones can be controlled individually

DMX Channel: 20/120CH

Operate mode: DMX512, Auto, Master/slave, /RDM

Dimmer: 0-100% 32BIT smooth dimming

Dimming curve: Linear, Square Law, Inv SQ Law, S Curve

Dimming speed: fast, slow

Strobe: Strong output strobe effect at 1-30Hz

Fan mode: Fan mode: auto, low speed, high speed

Excellent color mixing effect

Display: OLED display

Built in splicing lock for quick and seamless splicing

Signal input/output: 3pin waterproof XLR socket (optional with 5pin)

Power socket: waterproof power connector input/output

Protection Rating: IP66

Size: 413x184x300mm

Net weight: 14kg

Feature:

The lighting fixture includes two zone controls, Zone 1: using 720 1.5W RGB LEDs, 20 zones can be individually controlled, and each block contains 36 RGB LEDs. Zone 2: Using 560 4W WW/CW LEDs, 30 zones can be individually controlled. The AB board contains 16 WW/CW LEDs in each zone, and the middle board has 24 WW/CW LEDs. The excellent and powerful strobe function can create a colorful and vibrant strobe rendering effect, and when the main LED and auxiliary LED work together, they do not affect each other. Built in splicing pins for quick machine splicing, exciting multi area macro tracking, quickly create various dynamic colors and flicker effects, strong flickering colors covering vast areas and other powerful functions, greatly meeting user needs

8. Menu Description

First level menu	Secondary menu	Level 3 Menu	Fourth level menu	
DMX set up	DMX address	1 - 512		
	Channel mode	mode1(20)		
		mode2(120)		
	Dimming curve	Straight line		
		Square law		
		Inverse square law		
		s-curve		
	Dimming speed	fast		
		slow		
	No-signal mode	keep		
		Black field		
		Auto		
	Fan mode	automatic		
		Low speed		
		High speed		
	Master/slave mode	slave		
		Master		
	Display setting	Display direction	normal	
			Rotate 180°	
		Display brightness	1-100	
Temperature unit		° C		
		° F		
language		English		
	Chinese			
Fixture test	Test All	Test		
	Test Effect	ALL dimmer		
		Effect red		
		Effect green		
		Effect blue		
		CW dimmer		
		WW dimmer		
DMX Live	ALL dimmer			

	Effect dimer		
	Effect strobe speed		
	Effect strobe frequency		
	Effect red		
	Effect green		
	Effect blue		
	Effect shape		
	Effect shape speed		
	Effect shape fade		
	CW dimmer		
	CW dimmer fine		
	WW dimmer		
	WW dimmer fine		
	CW Strobe speed		
	CW strobe frequency		
	CW Effect		
	CW Effect speed		
	CW Effect fade		
	function		
manual control	ALL dimmer	0 - 255	
	Effect dimmer	0 - 255	
	◦ ◦ ◦ ◦ ◦	0 - 255	
	◦ ◦ ◦ ◦ ◦	0 - 255	
	◦ ◦ ◦ ◦ ◦	0 - 255	
Service	passcode	xxx	
Information	Power on time	xxx	
	Led hours	xxx	
	SW version	1uxxx	
		2uxxx	
		3uxxx	
		4uxxx	
		5uxxx	
		6uxxx	
	RDM UID	xxxxxxxxxx	
	temperatures	LED:XXX	

9. DMX512

20CH

channel	value			function
1	000	-	255	All dimmer
2	000	-	255	RGB dimmer
3	000	-	255	RGB strobe speed
4	000	-	255	RGB Strobe frequency
5	000	-	255	R
6	000	-	255	G
7	000	-	255	B
8	000	-	255	RGB Effect
9	000	-	255	RGB Effect speed
10	000	-	255	RGB Effect fade
11	000	-	255	CW dimmer
12	000	-	255	CW dimmer fine
13	000	-	255	WW dimmer
14	000	-	255	WW dimmer fine
15	000	-	255	CW/WW strobe speed
16	000	-	255	CW/WW strobe frequency
17	000	-	255	CW/WW effect
18	000	-	255	CW/WW effect speed
19	000	-	255	CW/WW effect fade
20	000	-	255	function

120CH

channel	value			function
1	000	-	255	R1
2	000	-	255	G1
3	000	-	255	B1
...	000	-	255	...
58	000	-	255	R20
59	000	-	255	G20
60	000	-	255	B20
61	000	-	255	CW1
62	000	-	255	CW2
63	000	-	255	CW3
...	000	-	255	...
87	000	-	255	CW28
88	000	-	255	CW29
89	000	-	255	CW30
90	000	-	255	WW1
91	000	-	255	WW2
92	000	-	255	WW3
...	000	-	255	...
118	000	-	255	WW58
119	000	-	255	WW59
120	000	-	255	WW60

10. Troubleshooting

Following are a few common problems that may occur during operation. Here are some suggestions for troubleshooting:

A. The unit does not work, no light and the fan does not work

Check the connected power.

Measure the voltage.

Check the power indicator to see whether it can be lit up or not.

B. Not responding to the DMX controller

Check whether the DMX connectors and the DMX cables are connected correctly.

Check whether the DMX address is correctly set.

If the intermittent DMX signal problem occurs, check whether the XLR socket and the signal cable are well connected.

Try it with another DMX controller.

Check whether the DMX cables run near or alongside to the high-voltage cables, which may damage or interfere with the signal circuit.

11. Fixture Cleaning

It is absolutely essential that the fixture is kept clean to ensure the maximum light-output

and allow the fixture to function reliably throughout its life. The fixture must be cleaned

regularly to avoid dust, dirt and smoke-fluid residues building up on or within the fixture. The

cleaning frequency depends on the application environment. Clean the fixture immediately if

the dust enters it to avoid damage to the optical lens due to excessive dust.

A soft lint-free cloth moistened with any good glass cleaning fluid is recommended, under no circumstances should solvents be used.

Always dry the parts carefully.

Clean the external optical lens at least every 20 days.