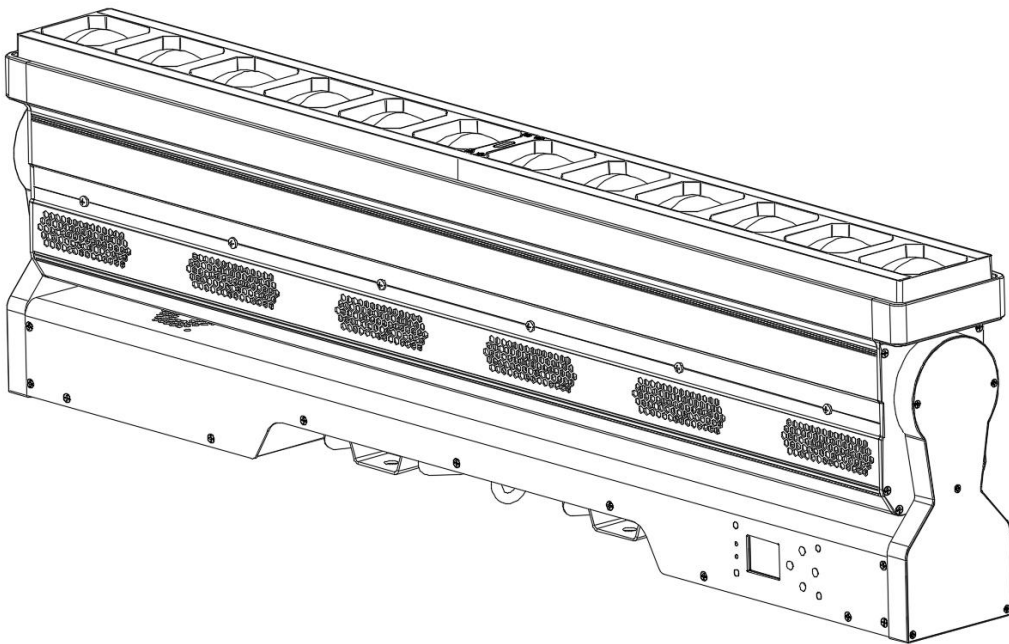


B1240S



Manual

1. Safety Instructions

Please keep this User Guide for future consultation. If you sell the unit to another user, be sure that they also receive this instruction manual.

Unpack and check carefully to ensure that there is no transportation damage before using the unit.

This product is for indoor use only. Use only in a dry location.

DO install and operate by qualified operator.

Use safety chain when fixing the unit. Handle the unit by carrying its base instead of head only.

The unit must be installed in a location with adequate ventilation, at least 50cm from adjacent surfaces.

Be sure that no ventilation slots is blocked, otherwise the unit will be overheated.

Before operation, ensure that you are connecting this product to the proper voltage in accordance with the specifications in this manual or on the product's specification label.

It's important to ground the yellow/green conductor to earth in order to avoid electric shock.

Minimum ambient temperature TA: 0°C. Maximum ambient temperature TA: 40°C. Do not operate this product at a lower or higher temperature.

DO NOT connect the device to any dimmer pack.

Keep flammable materials away from the fixture while operating to avoid fire hazard.

Make sure the power cord is not crimped or damaged; replace it immediately if damaged.

Unit's surface temperature may reach up to 75 C. DO NOT touch the housing bare-handed during its operation.

Avoid any flammable liquids, water or metal from entering the unit. Once it happens, cut

off the mains power immediately.

DO NOT operate in a dirty or dusty environment. DO clean the fixture regularly.

DO NOT touch any wire during operation as there might be a hazard of electric shock. Avoid entanglement of the power cord with other wires.

The minimum distance to objects/surface must be more than 0.5 meters.

Disconnect mains power before fuse replacement or servicing.

Replace fuse only with the same type.

In the event of serious operating problem, stop using the unit immediately.

Never turn on and off the unit time after time.

The housing, the lenses, or the ultraviolet filter must be replaced if they are visibly damaged.

DO NOT open the housing as there are no user serviceable parts inside.

DO use the original packaging if the device is to be transported.

2. INSTALLATIONS

3. DO install and operate by qualified operator. Fixtures should be installed in areas outside walking paths, seating areas, or away from areas where unauthorized personnel might reach the fixture by hand. NEVER stand directly below the fixture(s) when rigging, removing or servicing.

Always ensure that the unit is firmly fixed to avoid vibration and slipping off during operation. Ensure that the trussing or area of installation must be able to hold 10 times the weight without any deformation. Always attach a safety cable that can hold at least 12 times the weight of the fixture whenever installing this fixture in a suspended environment to ensure that the fixture will not fall if the clamp fails.

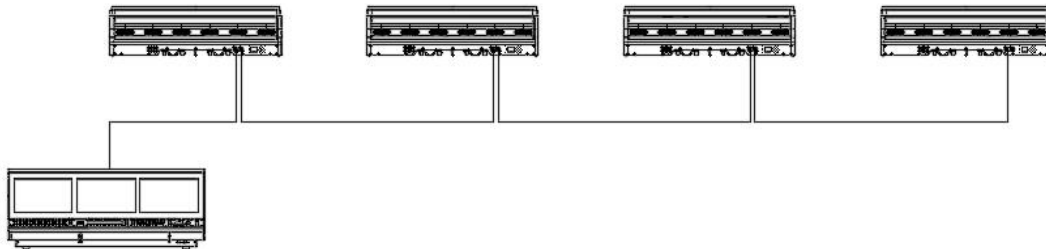
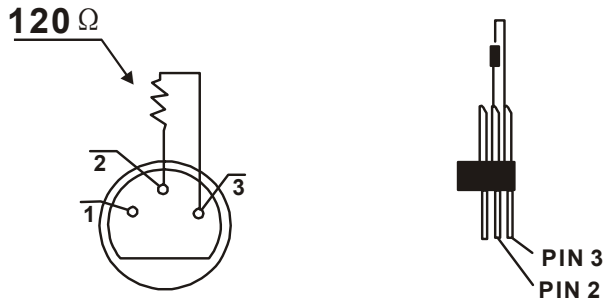
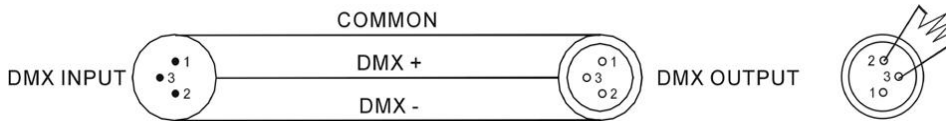
This fixture is fully operational in three different mounting positions: hanging upside-down, mounted sideways on trussing, or fix on a flat level surface (such as the ground or a wall). Always use and install the supplied safety cable as a safety measure to prevent accidental damage and/or injury in the event the clamp fails.

3. DMX-512 control connections

Connect the provided XLR cable to the female 3-pin XLR output of your controller and the other side to the male 3-pin XLR input of the moving head. You can chain multiple

Moving heads be connected together through serial linking. The cable needed should be two core, screened cable with XLR input and output connectors.

For installations where the DMX cable has to run a long distance or is in an electrically noisy environment, such as in a discotheque, it is recommended to use a DMX terminator. This helps in preventing corruption of the digital control signal by electrical noise. The DMX terminator is simply an XLR plug with a 120 Ω resistor connected between pins 2 and 3, which is then plugged into the output XLR socket of the last fixture in the chain. Please see illustrations below



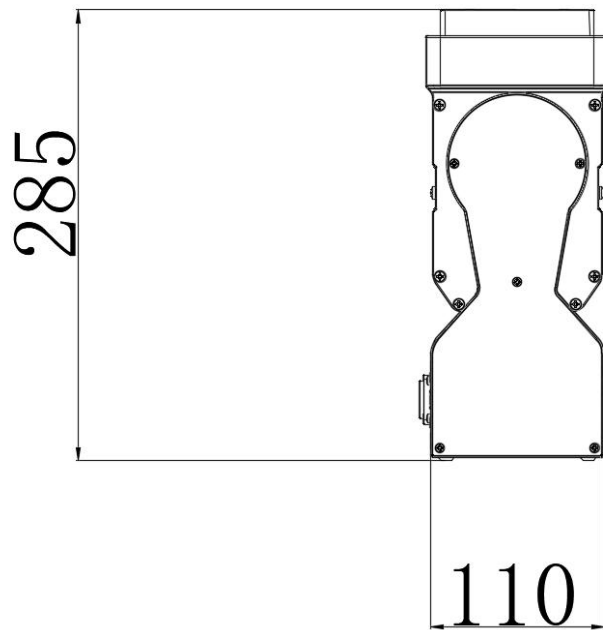
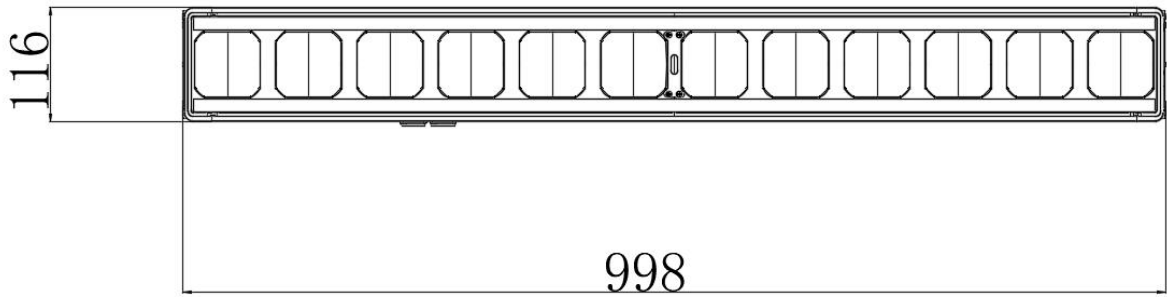
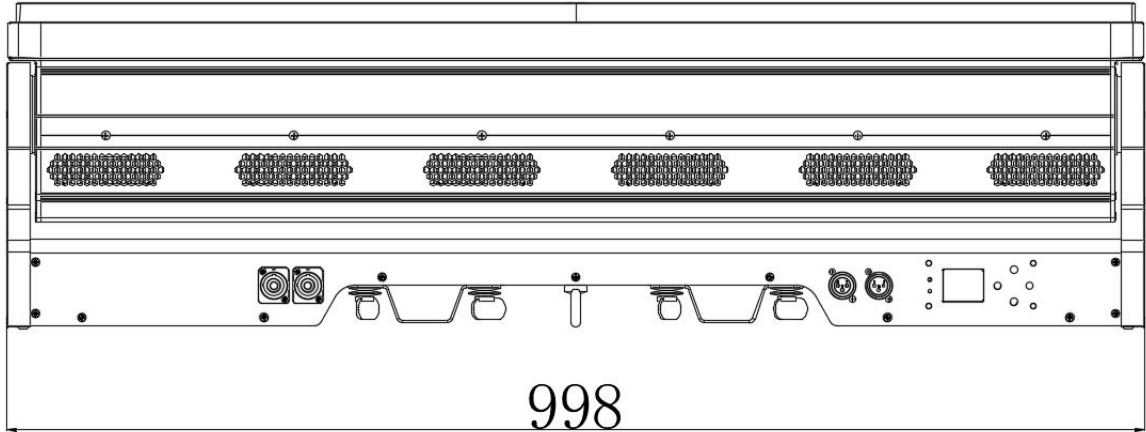
4.Address code setting

If you use a universal DMX controller to control the units, you have to set DMX address from 1 to 512 so that the units can receive DMX signal.

Press the MENU button to enter menu mode, select DMX Settings, press the ENTER button to confirm, use the UP/DOWN button to select DMX Address, press the ENTER button to confirm, the present address will blink in the display, use the UP/DOWN button to adjust the address from 001 to 512, press the ENTER button to store. Press the MENU button back to the last menu or let the unit idle 30 seconds to exit menu mode. Please refer to the following diagram to address your DMX512 channel for the first 4 units.

Channel MODE	UNIT1 ADDRESS	UNIT2 ADDRESS	UNIT3 ADDRESS	UNIT4 ADDRESS
23CH	1	24	47	70
28CH	1	29	57	85
35CH	1	36	71	106
57CH	1	58	115	172
71CH	1	72	143	214
117CH	1	118	235	352

5. Fixture size



6.Parameter characteristics:

Input Voltage: 100-240V,50/60Hz

Output Voltage: 36V(Motor board), 24V(+LED driver)

Power consumption:560W

Power supply: 700W

Light Source: 12*40W RGBW 4in1

144pcs 0.5W 5050 cold white LED

144PCS 0.5W 5050 Gold LED

Light source life: 20000 hours

Zoom angle: 4.5-50°linear focus

Dimming: 32bit 0-100% linear dimming

Strobe:1-25Hz

DMX Channels:23/35/57/71/117CH

Operate mode: Master/Slave,Auto,Sound ,DMX512

ART-NET,SACN,RDM

Three-phase motor rotation angle: 240°

XY axis magnetic coding positioning is more accurate

Power Outlet: Power Connector Input/Output

Signal Outlet: standard 3P XLR socket(can customized 5P

XLR) ,Ethernet port

Net weight: 14.2kg

Lighting size:998x116x285MM

Features:

This multifunctional effect lamp integrates beam, strobe, and dyeing effects, with a simple appearance and a shell made of die-cast profiles. It is small in size, light in weight, and easy to operate. After connection, the distance between the lamp beads is equal, the overall lighting effect is continuous, and a single light source can be controlled. The order of the lamp beads can be set, with multiple color macro effects. The outstanding RGBW color mixing function projects sharper beams, 32bit dimming, efficient heat dissipation system, full temperature monitoring, automatic overtemperature protection, only fan speed adjustment, real-time temperature display, and one click reverse display setting

7.Display Panel Menu Definition



Menu key: Enter/return to the main menu

Up: Menu function up selection/parameter increment

Down: Menu function down selection/parameter decrease

Confirm key: Select the menu function and make a confirmation and save when modifying the menu function parameters.

7.1MENU

Main Menu	Sub menu	explain
System settings	DMA address	Modify the DMA address code up or down with the confirmation key to save, default to 001
	Encoder	Modify the encoder on/off up or down, save with the confirm button, and default to on.
	Y Invert	Modify Y up or down to reverse on/off, confirm to save, default to off

	Signal hold	Disconnect signal hold or clear	
	Advanced Settings		
		DMX/ACN/ART	
	Net work	DHCP	YES/NO
		Universe	000-255
		IP	002.000.000.001
		Sub mask	255.000.000.000
Operating mode	Operating mode	Select the running mode confirmation key up or down to save	
	Channel selection	Select channel mode up or down and confirm saving	
Manual control	Y-axis	Modify parameter values up or down	
	Y-axis fine	Modify parameter values up or down	
	Y speed	Modify parameter values up or down	
	Zoom	Modify parameter values up or down	
	Dimmer	Modify parameter values up or down	
	A strobe	Modify parameter values up or down	
	A Red	Modify parameter values up or down	

	A Green	Modify parameter values up or down
	A Blue	Modify parameter values up or down
	A White	Modify parameter values up or down
	A mode	Modify parameter values up or down
	A speed	Modify parameter values up or down
	A Back color	Modify parameter values up or down
	A back dim	Modify parameter values up or down
	B strobe	Modify parameter values up or down
	B Golden Light	Modify parameter values up or down
	B White	Modify parameter values up or down
	B Mode	Modify parameter values up or down
	B speed	Modify parameter values up or down
	B Direction	Modify parameter values up or down
	B back color	Modify parameter values up or down
	B back color dim	Modify parameter values up or down
	reset	Yes/no

Display Settings	Language selection	Select Chinese/EN (English) up or down	
	Invert Settings	Select up or down to turn off/on the inverted display setting	
	Screen saver	Select up or down to turn off/on screen saver	
	Software version	The 069C program ID code cannot be modified	
Factory settings	Password 138 to enter factory settings.	Y calibration	Modify parameters up or down with the confirmation key to save, default to 128
		Focus1 calibration	Modify parameters up or down with the confirmation key to save, default to 128
		Focus2 calibration	Modify parameters up or down with the confirmation key to save, default to 128
		Focusing stroke	Modify parameters up or down with the confirmation

			key to save, default to 128
		red	Modify the red light bead current (032-255) up or down, confirm to save, default to 252
		green	Modify the green light bead current (032-255) up or down, confirm to save, default to 252
		blue	Modify the blue light bead current (032-255) up or down, confirm to save, default to 252
		white	Modify the white light bead current (032-255) up or down, confirm to save, default to 252
		LED Num	Select 000/0012 up or down, confirm to save, default to 001.
		current	Select 000/007 up or down, confirm to save, default to

			004
		speed	Select 000/007 up or down, confirm to save, default to 000
		LOGO	Select 000/001 up or down, confirm to save, default to 000.
		temperature	Modify the temperature parameters up or down (range 40-70), confirm and save, default to 065.
		Temperature - Fan	Select up or down to turn off/on temperature fan control, confirm to save, default to on.
		LED	LED bead order selection LEDA/LEDB

8. DMX512

23CH

CH	value	function
1	000-255	Y
2	000-255	Y fine
3	000-255	Y speed
4	000-255	zoom
5	000-255	dimmer
6	000-255	Main LED strobe
7	000-255	Main R
8	000-255	Main G
9	000-255	Main B
10	000-255	Main W
11	000-255	Main light effect
12	000-255	Main effect speed
13	000-255	Main back color
14	000-255	Main back color dimmer
15	000-255	Auxiliary strobe
16	000-255	Auxiliary Light Golden Light 1
17	000-255	Auxiliary light white light 1
18	000-255	Auxiliary Light Golden Light 2
19	000-255	Auxiliary light white light 2

20	000-255	Auxiliary light effect
21	000-255	Auxiliary light speed
22	000-255	Auxiliary light direction
23	000-255	<p>Reset: When the parameter value is between 150 and 255, the entire machine is reset. The control panel parameter value must first be pulled below 10, and then pushed to 150 to 255 to be effective.</p> <p>Parameter values between 000 and 149 are useless and cannot be reset.</p>

35CH

CH	value	function
1	000-255	Y
2	000-255	Y fine
3	000-255	Y speed
4	000-255	zoom
5	000-255	dimmer
6	000-255	Main LED strobe
7	000-255	Main R
8	000-255	Main G

9	000-255	Main B
10	000-255	Main W
11	000-255	Main Mode
12	000-255	Main speed
13	000-255	Main back color
14	000-255	Main back color dimmer
15	000-255	Auxiliary strobe
16	000-255	Auxiliary Light Golden Light 1
17	000-255	Auxiliary light white light 1
18	000-255	Auxiliary Light Golden Light 2
19	000-255	Auxiliary light white light 2
20	000-255	Auxiliary light mode
21	000-255	Auxiliary light speed
22	000-255	Auxiliary light direction
23	000-255	<p>Reset: When the parameter value is between 150 and 255, the entire machine is reset. The control panel parameter value must first be pulled below 10, and then pushed to 150 to 255 to be effective.</p> <p>Parameter values between 000 and 149 are useless and cannot be reset.</p>
24	000-255	Main LED1
25	000-255	Main LED2

26	000-255	Main LED3
27	000-255	Main LED4
28	000-255	Main LED5
29	000-255	Main LED6
30	000-255	Main LED7
31	000-255	Main LED8
32	000-255	Main LED9
33	000-255	Main LED10
34	000-255	Main LED11
35	000-255	Main LED12

57CH

CH	value	function
1	000-255	Y
2	000-255	Y fine
3	000-255	Y speed
4	000-255	zoom
5	000-255	dimmer
6	000-255	Main LED strobe
7	000-255	Main R
8	000-255	Main G
9	000-255	Main B

10	000-255	Main W
11	000-255	Main Mode
12	000-255	Main speed
13	000-255	Main back color
14	000-255	Main back color Dimmer
15	000-255	Auxiliary strobe
16	000-255	Auxiliary light golden light
17	000-255	Auxiliary light white light
18	000-255	Auxiliary light mode
19	000-255	Auxiliary light speed
20	000-255	Auxiliary light direction
21	000-255	<p>Reset: When the parameter value is between 150 and 255, the entire machine is reset. The control panel parameter value must first be pulled below 10, and then pushed to 150 to 255 to be effective.</p> <p>Parameter values between 000 and 149 are useless and cannot be reset.</p>
22	000-255	Main LED1
23	000-255	Main LED2
24	000-255	Main LED3
25	000-255	Main LED4
26	000-255	Main LED5

27	000-255	Main LED6
28	000-255	Main LED7
29	000-255	Main LED8
30	000-255	Main LED9
31	000-255	Main LED10
32	000-255	Main LED11
33	000-255	Main LED12
34	000-255	Auxiliary LED1
35	000-255	Auxiliary LED2
36	000-255	Auxiliary LED3
37	000-255	Auxiliary LED4
38	000-255	Auxiliary LED5
39	000-255	Auxiliary LED6
40	000-255	Auxiliary LED7
41	000-255	Auxiliary LED8
42	000-255	Auxiliary LED9
43	000-255	Auxiliary LED10
44	000-255	Auxiliary LED11
45	000-255	Auxiliary LED12
46	000-255	Auxiliary LED13
47	000-255	Auxiliary LED14
48	000-255	Auxiliary LED15

49	000-255	Auxiliary LED16
50	000-255	Auxiliary LED17
51	000-255	Auxiliary LED18
52	000-255	Auxiliary LED19
53	000-255	Auxiliary LED20
54	000-255	Auxiliary LED21
55	000-255	Auxiliary LED22
56	000-255	Auxiliary LED23
57	000-255	Auxiliary LED24

71CH

CH	value	function
1	000-255	Y
2	000-255	Y fine
3	000-255	Y speed
4	000-255	zoom
5	000-255	dimmer
6	000-255	Main LED strobe
7	000-255	Main R
8	000-255	Main G
9	000-255	Main B
10	000-255	Main W

11	000-255	Main Mode
12	000-255	Main speed
13	000-255	Main back color
14	000-255	Main back color dimmer
15	000-255	Auxiliary strobe
16	000-255	Auxiliary Light Golden Light 1
17	000-255	Auxiliary light white light 1
18	000-255	Auxiliary Light Golden Light 2
19	000-255	Auxiliary light white light 2
20	000-255	Auxiliary light mode
21	000-255	Auxiliary light speed
22	000-255	Auxiliary light direction
23	000-255	<p>Reset: When the parameter value is between 150 and 255, the entire machine is reset. The control panel parameter value must first be pulled below 10, and then pushed to 150 to 255 to be effective.</p> <p>Parameter values between 000 and 149 are useless and cannot be reset.</p>
24	000-255	Main R 1
25	000-255	Main G 1
26	000-255	Main B 1
27	000-255	Main W 1

28	000-255	Main R 2
29	000-255	Main G 2
30	000-255	Main B 2
31	000-255	Main W 2
32	000-255	Main R 3
33	000-255	Main G3
34	000-255	Main B 3
35	000-255	Main W 3
36	000-255	Main R 4
37	000-255	Main G 4
38	000-255	Main B 4
39	000-255	Main W 4
40	000-255	Main R 5
41	000-255	Main G 5
42	000-255	Main B 5
43	000-255	Main W 5
44	000-255	Main R 6
45	000-255	Main G 6
46	000-255	Main B 6
47	000-255	Main W 6
48	000-255	Main R 7
49	000-255	Main G 7

50	000-255	Main B 7
51	000-255	Main W 7
52	000-255	Main R 8
53	000-255	Main G8
54	000-255	Main B 8
55	000-255	Main W 8
56	000-255	Main R 9
57	000-255	Main G 9
58	000-255	Main B 9
59	000-255	Main W 9
60	000-255	Main R 10
61	000-255	Main G 10
62	000-255	Main B 10
63	000-255	Main W 10
64	000-255	Main R 11
65	000-255	Main G 11
66	000-255	Main B 11
67	000-255	Main W 11
68	000-255	Main R 12
69	000-255	Main G 12
70	000-255	Main B 12
71	000-255	Main W 12

117CH

CH	value	function
1	000-255	Y
2	000-255	Y fine
3	000-255	Y speed
4	000-255	zoom
5	000-255	dimmer
6	000-255	Main LED strobe
7	000-255	Main R
8	000-255	Main G
9	000-255	Main B
10	000-255	Main W
11	000-255	Main Mode
12	000-255	Main speed
13	000-255	Main back color
14	000-255	Main back color Dimmer
15	000-255	Auxiliary strobe
16	000-255	Auxiliary light golden light
17	000-255	Auxiliary light white light
18	000-255	Auxiliary light mode
19	000-255	Auxiliary light speed

20	000-255	Auxiliary light direction
21	000-255	<p>Reset: When the parameter value is between 150 and 255, the entire machine is reset. The control panel parameter value must first be pulled below 10, and then pushed to 150 to 255 to be effective.</p> <p>Parameter values between 000 and 149 are useless and cannot be reset.</p>
22	000-255	Main R 1
23	000-255	Main G 1
24	000-255	Main B 1
25	000-255	Main W 1
26	000-255	Main R 2
27	000-255	Main G 2
28	000-255	Main B 2
29	000-255	Main W 2
30	000-255	Main R 3
31	000-255	Main G3
32	000-255	Main B 3
33	000-255	Main W 3
34	000-255	Main R 4
35	000-255	Main G 4
36	000-255	Main B 4

37	000-255	Main W 4
38	000-255	Main R 5
39	000-255	Main G 5
40	000-255	Main B 5
41	000-255	Main W 5
42	000-255	Main R 6
43	000-255	Main G 6
44	000-255	Main B 6
45	000-255	Main W 6
46	000-255	Main R 7
47	000-255	Main G 7
48	000-255	Main B 7
49	000-255	Main W 7
50	000-255	Main R 8
51	000-255	Main G 8
52	000-255	Main B 8
53	000-255	Main W 8
54	000-255	Main R 9
55	000-255	Main G 9
56	000-255	Main B 9
57	000-255	Main W 9
58	000-255	Main R 10

59	000-255	Main G 10
60	000-255	Main B 10
61	000-255	Main W 10
62	000-255	Main R 11
63	000-255	Main G 11
64	000-255	Main B 11
65	000-255	Main W 11
66	000-255	Main R 12
67	000-255	Main G 12
68	000-255	Main B 12
69	000-255	Main W 12
70	000-255	Golden Light 1
71	000-255	White light 1
72	000-255	Golden Light2
73	000-255	White light2
74	000-255	Golden Light3
75	000-255	White light3
76	000-255	Golden Light4
77	000-255	White light4
78	000-255	Golden Light5
79	000-255	White light5
80	000-255	Golden Light6

81	000-255	White light6
82	000-255	Golden Light7
83	000-255	White light7
84	000-255	Golden Light8
85	000-255	White light8
86	000-255	Golden Light9
87	000-255	White light9
88	000-255	Golden Light10
89	000-255	White light10
90	000-255	Golden Light11
91	000-255	White light11
92	000-255	Golden Light12
93	000-255	White light12
94	000-255	Golden Light13
95	000-255	White light13
96	000-255	Golden Light14
97	000-255	White light14
98	000-255	Golden Light15
99	000-255	White light15
100	000-255	Golden Light16
101	000-255	White light16
102	000-255	Golden Light17

103	000-255	White light17
104	000-255	Golden Light18
105	000-255	White light18
106	000-255	Golden Light19
107	000-255	White light19
108	000-255	Golden Light20
109	000-255	White light20
110	000-255	Golden Light21
111	000-255	White light21
112	000-255	Golden Light22
113	000-255	White light22
114	000-255	Golden Light23
115	000-255	White light23
116	000-255	Golden Light24
117	000-255	White light24

Safety introduction and product maintenance:

1. The power connection must be made by professionals.
2. Make sure that the use voltage is not higher or lower than the specified value in the instruction manual.
3. Confirm that the power cord is not cut or damaged by a sharp blade.
4. Be sure to disconnect the power supply when the lamp is not in use or before cleaning.
5. Only the plug is allowed to connect the power cord. When pulling out the plug, please do not pull the power cord forcibly.
6. Be careful when installing the lamps and avoid touching the bare wires, otherwise you will suffer a fatal electric shock.
7. Please do not look directly at the light source when the lamp is in use, otherwise your eyes will be hurt.
8. When choosing the installation location, please ensure that the lamp is not exposed to extreme heat, humidity or dust. The distance between the lamp and the illuminated object must exceed 0.5 meters. Make sure that there are no flammable and explosive materials within 0.5 meters.
9. Please use proper and safe wires to connect the lamps.
10. Please operate after familiarizing with the function of the lamp.

Most of the damage to the lamps is caused by improper operation, so non-professionals are not allowed to operate the lamps. Do not shake the lamp at will, and do not operate it roughly.

11. Please do not modify the lamp at will. Doing so may cause short circuit, burning, electric shock, etc., and cause malfunction and damage of the lamp. The manufacturer does not provide warranty

TROUBESHOOTING:

For some normal troubleshooting, some solutions are recommended. It should always be solved by professionals disconnecting the power supply

LED is off

1. Please check if the proper voltage is installed
2. Please check whether the LED will reach the end of its service life and whether it will explode; please replace the lamp beads of the same model
3. Please check whether the power supply voltage is sufficient.

The light cannot accept control commands:

1. Please check whether the start code address and function options are correct.
2. Please check whether the communication control cable is connected correctly or the cable is too long or interrupted.

3. Please check whether the control system is invalid and the signal amplifier connection of the chain is valid.
4. Please check whether the communication cable is too long or whether other devices interfere with each other.
5. Please arrange the wires, shorten the signal wires, and separate the high-voltage and low-voltage cables.
6. Increase the signal amplifier Isolator.

