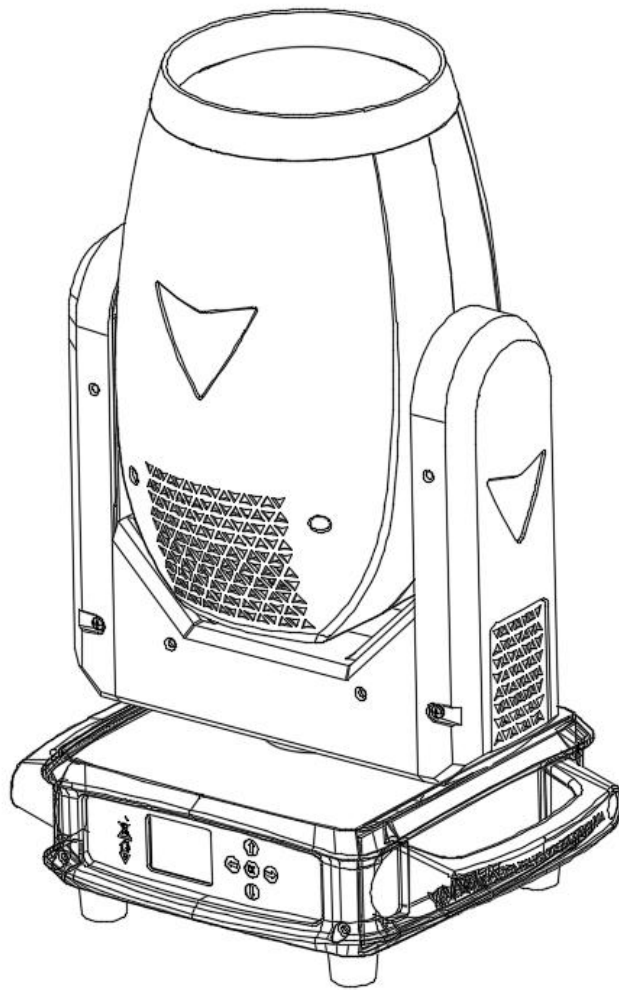


T917 Lang



User Manual

1. Safety Instructions

Please read the instruction carefully which includes important information about the installation, usage and maintenance.

Please keep this User Guide for future consultation. If you sell the unit to another user, be sure that they also receive this instruction manual.

Important:

Damages caused by the disregard of this user manual are not subject to warranty. The dealer will not accept liability for any resulting defects or problems.

Unpack and check carefully to ensure that there is no transportation damage before using the unit.

This product is for indoor use only. Use only in a dry location.

DO install and operate by qualified operator.

DO NOT allow children to operate the fixture.

Use safety chain when fixing the unit. Handle the unit by carrying its base instead of head only.

The unit must be installed in a location with adequate ventilation, at least 50cm from adjacent surfaces.

Be sure that no ventilation slots is blocked, otherwise the unit will be overheated.

Before operation, ensure that you are connecting this product to the proper voltage in accordance with the specifications in this manual or on the product's specification label.

It's important to ground the yellow/green conductor to earth in order to avoid electric shock.

Minimum ambient temperature TA: 0°C. Maximum ambient temperature TA: 40°C. Do not operate this product at a lower or higher temperature.

DO NOT connect the device to any dimmer pack.

Avoid any flammable liquids, water or metal from entering the unit. Once it happens, cut off the mains power immediately.

DO NOT operate in a dirty or dusty environment. DO clean the fixture regularly. DO NOT touch any wire during operation as there might be a hazard of electric shock.

Avoid entanglement of the power cord with other wires.

The minimum distance to objects/surface must be more than 1 meters.

Disconnect mains power before fuse/lamp replacement or servicing.

Replace fuse/lamp only with the same type.

In the event of serious operating problem, stop using the unit immediately.

Never turn on and off the unit time after time.

The housing, the lenses, or the ultraviolet filter must be replaced if they are visibly damaged.

DO NOT attempt to operate this unit if it becomes damaged. DO NOT attempt any repairs

yourself. Repairs carried out by unskilled people can lead to damage or malfunction. Please contact the nearest authorized technical assistance center if needed.

Disconnect this product from its power source before servicing.

DO use the original packaging if the device is to be transported.

Avoid direct eye exposure to the light source while the product is on.

Never touch bulb with bare fingers, as it is very hot after using.

DO NOT operate this product if you see damage on the housing, shields, or cables. Have the damaged parts replaced by an authorized technician at once

Installation:

The fixture should be fixed on the clamp. Always ensure that the unit is firmly fixed to avoid vibration and slipping off during operation. Ensure that the trussing or area of installation must be able to hold 10 times the weight without any deformation. Always install a safety cable that can hold at least 12 times the weight of the fixture when installing. DO install and operate by qualified operator. It must be installed in a place where there is out of the reach of people.

2.INSTALLATIONS

installations Note: In order to increase protection, please install the lamp on the sidewalk, outside the seating area, or an area where unauthorized persons may touch the lamp

Before installing the fixture on any surface, make sure that the installation area can bear the minimum point load above 10 points of the weight of the equipment. The installation of the fixing device must always be fixed with auxiliary safety accessories (such as a suitable safety rope)

Do not stand directly under the equipment when installing, removing, or servicing fixtures

From the ceiling or set on a flat surface (see the picture below). Ensure that this fixture is kept at least 0.5m (1.5 feet) away from any flammable materials (decorations, etc.)

Be sure to use and install the supplied safety rope to ensure safety and

prevent accidental damage and/or injury in case the fixture is damaged

Installation point: Overhead installation requires a wealth of experience, including calculation of working load limits, in-depth understanding of the installation materials used, and regular safety inspections of all installation materials and fixtures. If you do not have these qualifications, please do not try to install it yourself. Improper installation can cause personal injury

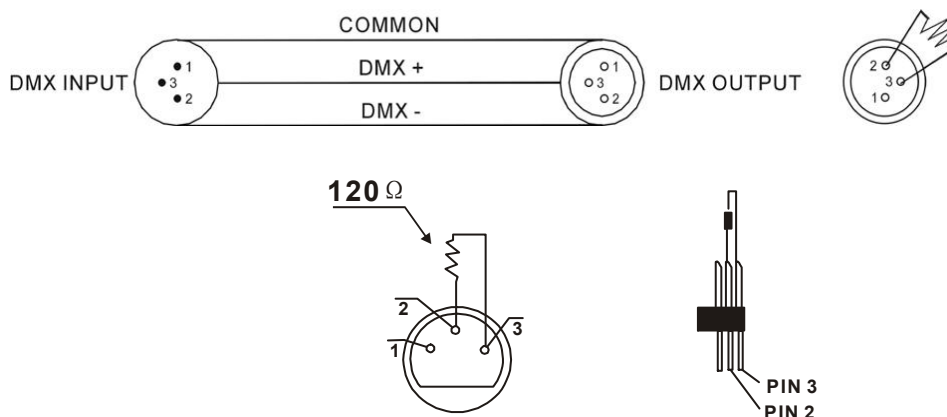
Before connecting the main power cord to an appropriate wall outlet, make sure to complete all assembly and installation procedures

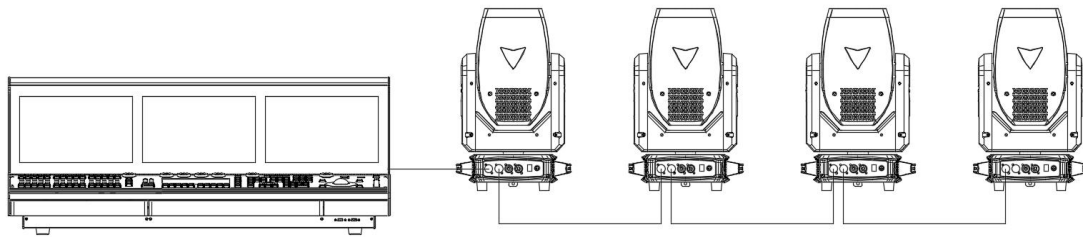
LED installation: LED shaking head provides a unique mounting bracket assembly, which integrates the bottom of the base and the fixing point of the safety cable into one unit . When installing the fixture to the truss, make sure to use the appropriate tools to fix it on the attached bracket, and use the M10 screw that passes through the center hole of the "bracket" to fix it. As an additional safety measure, make sure to use at least one safety cable integrated in the base assembly to connect at least one appropriately rated safety cable to the fixture.

3. DMX-512 control connections

Connect the provided XLR cable to the female 3-pin XLR output of your controller and the other side to the male 3-pin XLR input of the moving head. You can chain multiple

Moving heads be connected together through serial linking. The cable needed should be two core, screened cable with XLR input and output connectors. For installations where the DMX cable has to run a long distance or is in an electrically noisy environment, such as in a discotheque, it is recommended to use a DMX terminator. This helps in preventing corruption of the digital control signal by electrical noise. The DMX terminator is simply an XLR plug with a 120 Ω resistor connected between pins 2 and 3, which is then plugged into the output XLR socket of the last fixture in the chain. Please see illustrations below





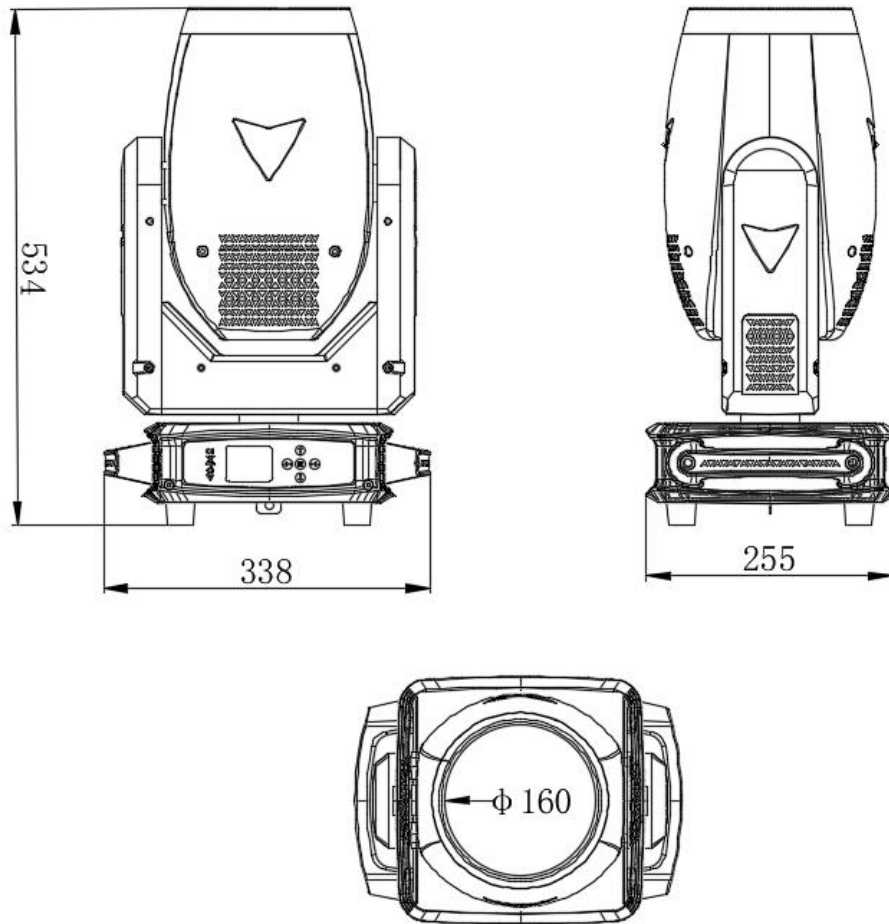
4.Address code setting

If you use a universal DMX controller to control the units, you have to set DMX address from 1 to 512 so that the units can receive DMX signal.

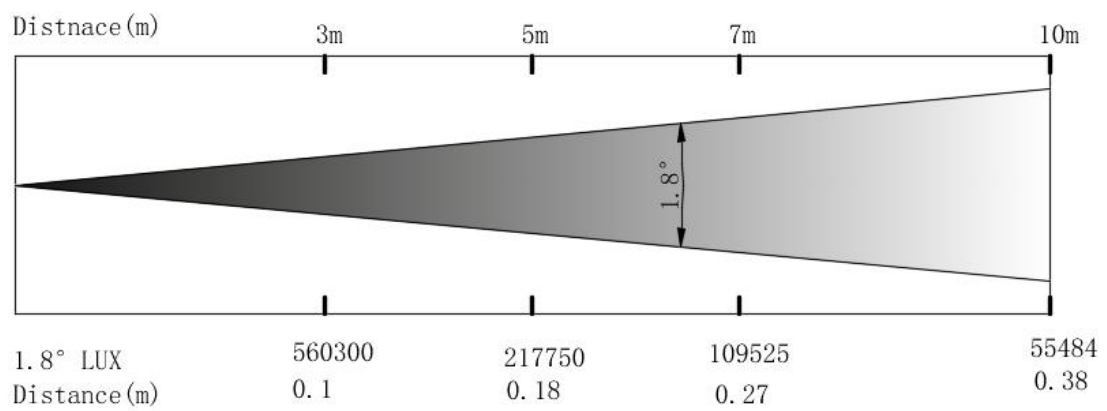
Press the MENU button to enter menu mode, select DMX Settings, press the ENTER button to confirm, use the UP/DOWN button to select DMX Address, press the ENTER button to confirm, the present address will blink in the display, use the UP/DOWN button to adjust the address from 001 to 512, press the ENTER button to store. Press the MENU button back to the last menu or let the unit idle 30 seconds to exit menu mode. Please refer to the following diagram to address your DMX512 channel for the first 4 units.

Channel MODE	UNIT1 ADDERSS	UNIT2 ADDERSS	UNIT3 ADDERSS	UNIT4 ADDERSS
17CH	1	18	35	52

5. Fixture size

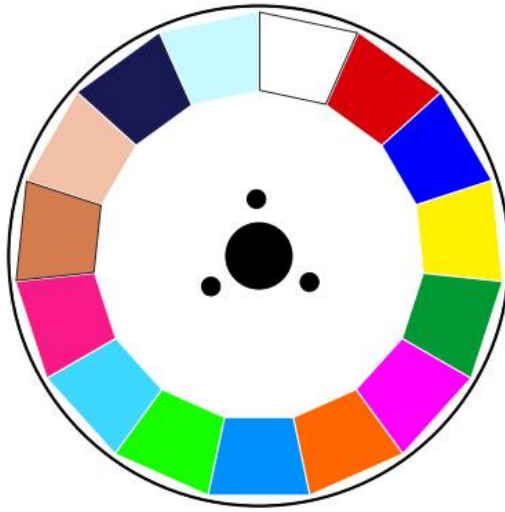


6. Illuminance chart:

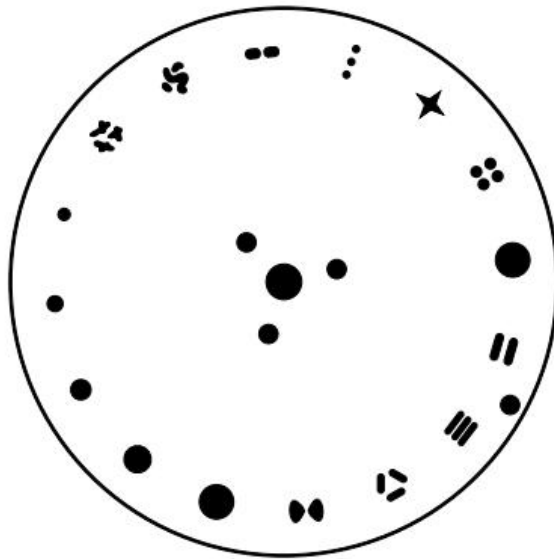


7. Effect Wheels

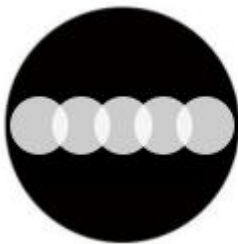
COLOR WHLLE



STATIC GOBO WHEEL



Prism



Frost



8. LED technical parameters

Input Voltage: 100-240V, 50/60Hz

Output Voltage: V1:36V:(LED driver)

V2:12V(cooling fan+Display)

Power consumption: 300W

Power supply: 350W

LED expected service life: >20000 hours

LED temperature: 9500K

Diameter of optic lens: 160mm

Beam angle: 1.8°

Standard:70CRI

DMX Channel: 17CH

Electric focusing system

Four dimming curves: Linear,Square law,Inverse squared law,S curve

Operate mode: DMX512, Auto, master/slave, RDM

0-100% 16bit linear smooth dimming

Multiple speed strobe effects

Color wheel: 1 color wheel, 14fixed colors plus white

Static gobo: 15 gobos plus 1 white circle

Prism: Equipped with 8 prism, and 5 rows prism, the two prisms can be stacked and rotated in both

High brightness frost sheet: with smooth wash effect

Control panel: LCD Touch screen Overheating self-energy protection LED, extending LED life

X-axis rotation angle: 540°

Y-axis rotation angle: 270°

Three phase motor with SY Brand

XY axis magnetic coding positioning is more accurate

Power Outlet: Power Connector Input/Output

Signal Line: 3-pin or 5-pin signal line

Installation: folding clamp

Fixture size: 338*254*534mm

Features:

0-100% 16Bit smooth dimming,Four dimming curves

Overheating self-energy protection can extending lamp life

Three phase Motor with SY Brand (XY axis magnetic coding positioning is more accurate)

1.2 Beam angle, sharp and clear, 160MM caliber, thick and full beam

High quality LCD touch screen

Power in & Out connector,3 or 5pin XLR inout & output can optional

Folding clamp can optional

Housing material: PA6 Nylon(Solid,high temperature resistance up to 200° flame retardance)

9.LCD Homepage Instructions

2		
1		3
		4
		5
6	11	7
8	9	10

- 1 — Displays the current DMX address in large font
- 2 — Logo display area
- 3 — DMX signal frame rate (FPS)
- 4 — Current channel mode, the displayed number indicates the current channel number
- 5 — Show current temperature
- 6 — Current Mode (Master, Slave)
- 7 — Current running mode (DMX512, Auto, User)
- 8 — Error message. If a red band "x" is displayed, the self-test found an error.
(Press down to view specific error message)
- 9 - Display the address code of the next fixture
- 10 — SN term display

10.Menu settings

Main Menu	First level menu	Secondary menu	Third level menu	
DMX Address	000-255			
Channel Mode	17			
RESET	Motor power	ON		
		OFF		
	pan /tilt			
	color			
	gobo			
Run	beam path			
	DMX			
	Auto			
Manual	user			
	Lock manual Ctrl	No/Yes		
	pan:000			
	Tilt:000			
	P/T:000			
	DIM:000			
			
FOCUS				
Option	M/S Mode	slave/master		
	pan /tilt	Manual pan /tilt	On/Off	
		Invert pan	Off/On	
		Invert Tilt	Off/On	
		Speed Chn RT	ON	
	Dim Curve		OFF	
		linear		
		Log		
		S-Curve		
		Squar Root		
	User Program	Square		
		Manual	step01	
			step02	
			
			step12	
Record		select Step:01		
		select Step:02		
			
	select Step:12			

			time:000
		
			time:255
			Record:NO/YES
		Clear All	IN Put psw:xxx
	IF NO DMX	Power on:	middle
			Auto
			User
			no effect
		Run time:	On/Off
ADVANCED	Adj	xxxx	
	Display	Flip	On/Off
		Screen Saver	Black
	Light		
	Language	English	
		Chinese	
	Factory Setting	xxxx	
	Adj Recover	xxxx	
INFORMATION	DMX Monitor	chn01:000	
		chn02:000	
		
		chn58:000	
	system Errors		
	LED	Usage Times	0000Hr
		Clear Times	xxxx
	Factory Test	xxxx	
Product Code			

11. DMX512

17CH

CH	DMX	Explanation
1	0-255	Pan
2	0-255	Pan fine
3	0-255	Tilt
4	0-255	Tilt fine
5		Pan/Tilt speed

	0	NO
	1-255	speed from fast to slow
6	0-255	Dimming
7	0-255	Dimming fine
		Strobe
	0-3	closure
	4-103	Strobe from slow to fast
	104-107	Open
8	108-157	Quick extinction and slow opening, from fast to slow
	158-207	Fast on, slow off, from fast to fast
	208-212	Open
	213-251	Random strobe, from slow to fast
	252-255	Open
		color
	0-4	white light
	5-8	White light+red
	9-12	red
	13-17	Red+Yellow
	18-21	yellow
	22-25	Yellow+Blue
	26-29	blue
	30-34	Blue+Green
	35-38	green
	39-42	Green+Amber
	43-46	Amber
	47-51	Amber+light blue
	52-55	Light blue
9	56-59	Light blue+light green
	60-63	Light green
	64-68	Light green+orange
	69-72	orange
	73-76	Orange+Dark Blue
	77-81	Deep Blue
	82-85	Dark Blue+Purple Red
	86-89	Purplish red
	90-93	Purple Red+Rose Red
	94-98	Rose red
	99-102	Rose red+cool color
	103-106	Cool color
	107-110	Cool color+sparkling light
	111-115	fluorescent

	116-119	fluorescent+Warm Colors
	120-123	Warm colors
	124-127	Warm color+white light
	128-190	Flowing effect from fast to slow
	191-192	Effect stopped
	193-255	Flowing effect from slow to fast
10		GOBO
	0-3	white light
	4-6	GOBO 1
	7-9	GOBO 2
	10-12	GOBO 3
	13-15	GOBO 4
	16-18	GOBO 5
	19-21	GOBO 6
	22-24	GOBO 7
	25-27	GOBO 8
	28-30	GOBO 9
	31-33	GOBO 10
	34-36	GOBO 11
	37-39	GOBO 12
	40-42	GOBO 13
	43-45	GOBO 14
	46-54	GOBO 15
	55-63	GOBO 1 shaking from slow to fast
	64-72	GOBO 2shaking from slow to fast
	73-81	GOBO 3 shaking from slow to fast
	82-90	GOBO 4 shaking from slow to fast
	91-99	GOBO 5 shaking from slow to fast
	100-108	GOBO 6 shaking from slow to fast
	109-117	GOBO 7 shaking from slow to fast
	118-126	GOBO 8 shaking from slow to fast
	127-135	GOBO 9 shaking from slow to fast
	136-144	GOBO 10 shaking from slow to fast
	145-153	GOBO 11shaking from slow to fast
	154-162	GOBO 12 shaking from slow to fast
	163-171	GOBO 13 shaking from slow to fast
	172-180	GOBO 14 shaking from slow to fast
	181-189	GOBO 15 shaking from slow to fast
	190-201	Open
	202-227	GOBO scrolls forward from fast to slow
	228-229	Stop
	230-255	GOBO reverse scrolling, from slow to fast

11		8 Prism
	0-63	NO Prism
	64-255	Prism IN
12		8Prism rotation
	0-127	Prism 1 positioning and rotation
	128-190	8 Prisms rotate forward, from fast to slow
	191-192	stop
	193-255	8 Prisms rotate in reverse, from slow to fast
13		5 Prism
	0-63	NO Prism
	64-255	Prism IN
14		5Prism rotation
	0-127	Prism 2 positioning and rotation
	128-190	5Prisms rotate forward, from fast to slow
	191-192	stop
	193-255	5 Prisms rotate in reverse, from slow to fast
15		frost
	0-63	null
	64-255	frost
16	0-255	Focus
17		reset
	0-25	null
	26-76	effect reset
	77-127	Pan/Tilt reset
	128-255	reset all

12.Common malfunctions

1. After the lamp is reset normally, it will not accept the control of the console

- Check whether the digital start address value and function options of the lamps are correct;
- Check whether the connection of the communication control line is correct, the communication line is too long or has been interrupted;
- Check whether the control equipment is invalid, and check whether the

signal amplifier connected in series is invalid;

- Check whether the communication line is too long or other devices interfere with each other;
- Optimize wiring, shorten the length of control signal lines, separate high-voltage and low-voltage lines;
- Add a signal amplifier;
- The signal line adopts high-quality shielded twisted pair;
- Connect a signal terminating resistor (120 ohms) at the end of the fixture.

2. The lamps cannot be started

- Check that the lamps have poor contact or fall off due to extrusion deformation, vibration of internal parts, moisture and other reasons during long-distance transportation.
- Please check whether the wires and connectors inside the lamp are detached or loose.
- Check whether the electronic components of lamps (such as electronic transformers, PCB boards, motor control boards, etc.) are loose, short-circuited and burned out.

3. When working, the X-axis or Y-axis of the lamp does not move normally

- Check whether the transmission belt corresponding to the X and Y axis directions in the lamp is off and broken;
- Check whether the data feedback receiver (optical coupler) corresponding to the X and Y directions in the lamp is damaged;
- Reboot to reset once.