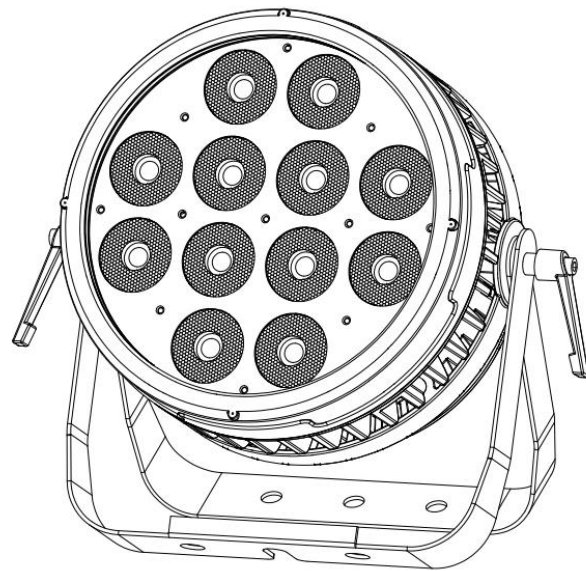


WP1220 LED Par can



User Manual

1. Safety Instructions

Please read the instruction carefully which includes important information about the installation, usage and maintenance.

- Please keep this User Guide for future consultation. If you sell the unit to another user, be sure that they also receive this instruction manual.
- Unpack and check carefully to ensure that there is no transportation damage before using the unit.
- This product is suitable for wet locations. Do not immerse in water.
- DO install and operate by qualified operator.
- DO NOT allow children to operate the fixture.
- Use safety chain when fixing the unit. Handle the unit by carrying its base instead of head only.
- The unit must be installed in a location with adequate ventilation, at least 50cm from adjacent surfaces.
- Be sure that no ventilation slots is blocked, otherwise the unit will be overheated.
- Before operation, ensure that you are connecting this product to the proper voltage in accordance with the specifications in this manual or on the product's specification label.
- It's important to ground the yellow/green conductor to earth in order to avoid electric shock.
- Minimum ambient temperature TA: 0°C. Maximum ambient temperature TA: 40°C. Do not operate this product at a lower or higher temperature.
- DO NOT connect the device to any dimmer pack
- Keep flammable materials away from the fixture while operating to avoid fire hazard.
- Make sure the power cord is not crimped or damaged; replace it immediately if damaged
- Unit's surface temperature may reach up to 65°C. DO NOT touch the housing bare-handed during its operation
- Avoid any flammable liquids, water or metal from entering the unit.
- DO NOT operate in a dirty or dusty environment. DO clean the fixture regularly.
- DO NOT touch any wire during operation as there might be a hazard of electric shock.
- Avoid entanglement of the power cord with other wires.
- The minimum distance to objects/surface must be more than 0.5 meters.
- In the event of serious operating problem, stop using the unit immediately.
- Never turn on and off the unit time after time.
- The housing, the lenses, or the ultraviolet filter must be replaced if they are visibly damaged

- DO NOT open the housing as there are no user serviceable parts inside.
- DO NOT attempt to operate this unit if it becomes damaged. DO NOT attempt any repairs yourself. Repairs carried out by unskilled people can lead to damage or malfunction. Please contact the nearest authorized technical assistance center if needed.
- Disconnect this product from its power source before servicing.
- DO use the original packaging if the device is to be transported.
- Avoid direct eye exposure to the light source while the product is on.
- DO NOT operate this product if you see damage on the housing, shields, or cables. Have the damaged parts replaced by an authorized technician at once.

2. INSTALLATIONS

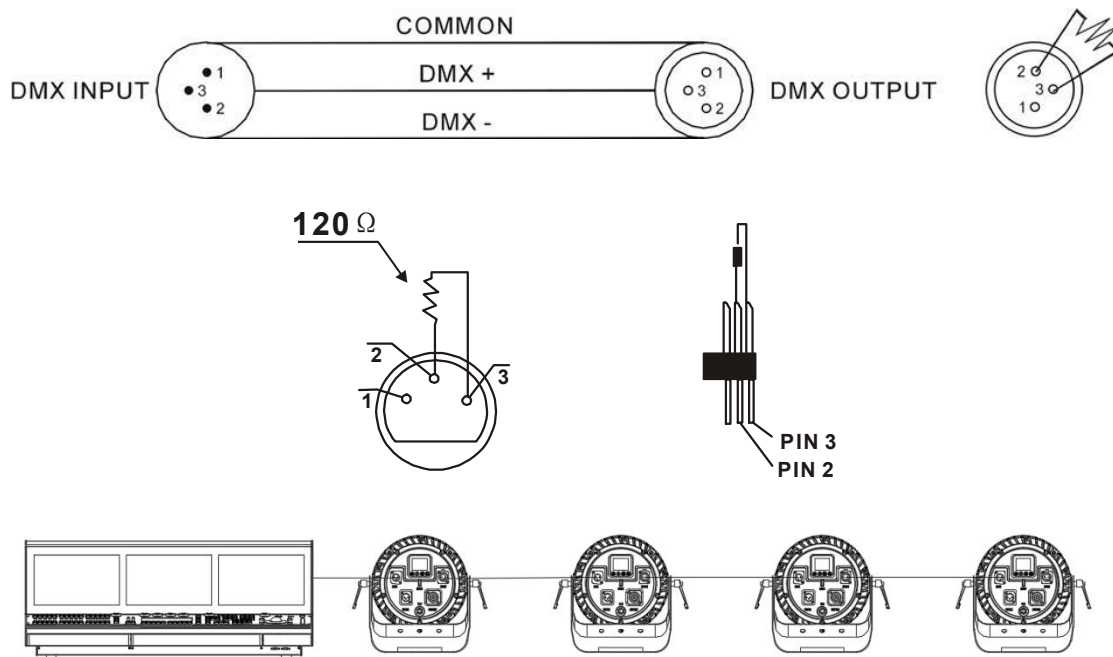
- installations Note: In order to increase protection, please install the lamp on the sidewalk, outside the seating area, or an area where unauthorized persons may touch the led
- Before installing the fixture on any surface, make sure that the installation area can bear the minimum point load above 10 points of the weight of the equipment. The installation of the fixing device must always be fixed with auxiliary safety accessories (such as a suitable safety rope) Do not stand directly under the equipment when installing, removing, or servicing fixtures
- Ensure that this fixture is kept at least 0.5m (1.5 feet) away from any flammable materials (decorations, etc.)
- Be sure to use and install the supplied safety rope to ensure safety and prevent accidental damage and/or injury in case the fixture is damaged
Installation point: Overhead installation requires a wealth of experience, including calculation of working load limits, in-depth understanding of the installation materials used, and regular safety inspections of all installation materials and fixtures. If you do not have these qualifications, please do not try to install it yourself. Improper installation can cause personal injury
Before connecting the main power cord to an appropriate wall outlet, make sure to complete all assembly and installation procedures

3. DMX-512 control connections

Connect the provided XLR cable to the female 3-pin XLR output of your controller and the other side to the male 3-pin XLR input of the moving head. You can chain multiple Moving heads be connected together through serial linking. The cable needed should be two core, screened cable with XLR input and output connectors.

For installations where the DMX cable has to run a long distance or is in an electrically noisy environment, such as in a discotheque, it is recommended to use a DMX terminator. This helps in preventing corruption of the digital control

signal by electrical noise. The DMX terminator is simply an XLR plug with a 120 Ω resistor connected between pins 2 and 3, which is then plugged into the output XLR socket of the last fixture in the chain. Please see illustrations below



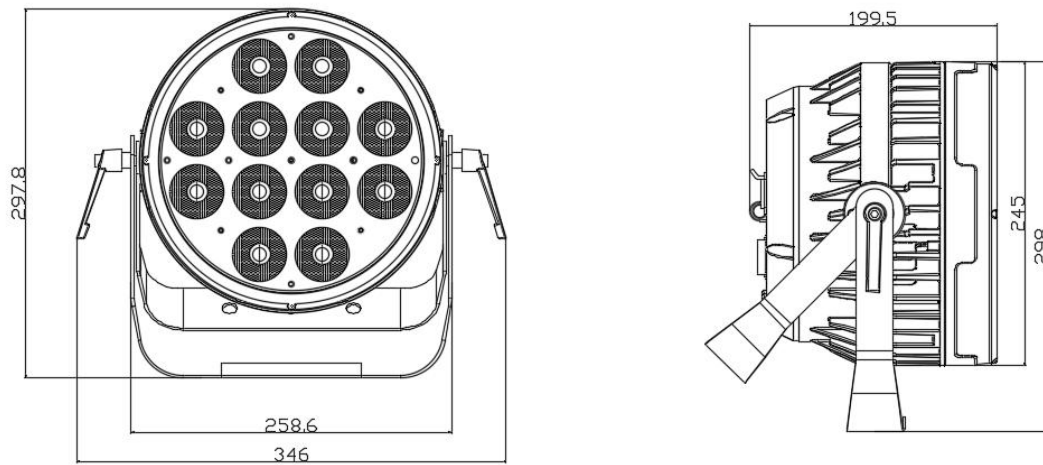
4.Address code setting

If you use a universal DMX controller to control the units, you have to set DMX address from 1 to 512 so that the units can receive DMX signal.

Press the MENU button to enter menu mode, select DMX Settings, press the ENTER button to confirm, use the UP/DOWN button to select DMX Address, press the ENTER button to confirm, the present address will blink in the display, use the UP/DOWN button to adjust the address from 001 to 512, press the ENTER button to store. Press the MENU button back to the last menu or let the unit idle 30 seconds to exit menu mode. Please refer to the following diagram to address your DMX512 channel for the first 4 units.

Channel MODE	UNIT1 ADDRESS	UNIT2 ADDRESS	UNIT3 ADDRESS	UNIT4 ADDRESS
7CH	1	8	15	22
11CH	1	12	23	34

5. Fixture size



6.technical parameter

Input voltage: AC110-240V 50 / 60Hz

LED light source: 18x20W RGBW 4in1LED

Channel mode: 7/11 CH

Control mode: DMX512, RDM

Dimming mode: linear dimming

Lens angle: 15° (6° /12° /15° /25° 45° select)

Excellent color mixing effect

Display: OLED display

Signal input/output:3pin waterproof XLR socket (optional with 5pin)

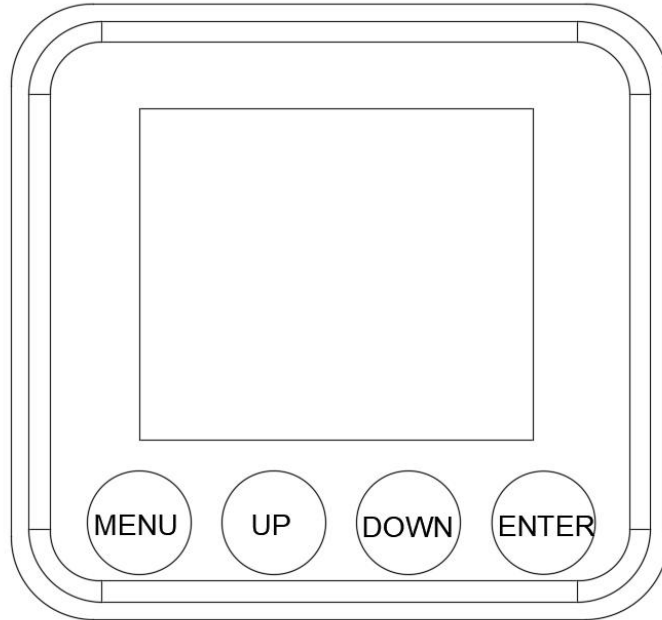
Power socket: waterproof power connector input/output

Waterproof rating: IP65

Net weight: 7KG

Light size: 200x245x298MM

7. Menu panel



Power on unlock

Press the up and down buttons to enter "up, down, up, and down" in sequence. The "lock" icon displayed on the screen will open to enter the operation interface

8.Menu settings

First level menu	Secondary menu	Level 3 Menu	Fourth level menu
SET	DMX Addr	001-512	
	Channel mode	7/11ch	
	Backlight/s	OFF/15/30/45/60	
	MDX Keep	OFF/ON	
	Dim Delay	0/1/2/3/4	
	Revr scrn	OFF/ON	
	Lang	ENG/中文	
Manual	Dimmer		
	Strobe		
	G		

	B		
	R		
	W		
	Color Macro		
	Effect		
	Effect speed		
INFO	version	xxxxxx	
	Power-on	xxxxxx	
	Runing	xxxxxx	
Advn	xxxxxx		

9.DMX512

7CH

CH	DMX value	Function
1	0-255	dimmer
2	0-255	R
3	0-255	G
4	0-255	B
5	0-255	W
6	0-255	A
7	0-255	UV

11CH

CH	DMX value	Function
1	0-255	dimmer
2	0-255	Strobe slow to fast
3	0-255	R
4	0-255	G
5	0-255	B
6	0-255	W

7	0-255	A
8	0-255	Uv
9	0-255	Color: 16 colors
10	0-255	Effect: 16 effects
11	0-255	Effect speed

10. Fixture Cleaning

It is absolutely essential that the fixture is kept clean to ensure the maximum light-output and allow the fixture to function reliably throughout its life. The fixture must be cleaned regularly to avoid dust, dirt and smoke-fluid residues building up on or within the fixture. The cleaning frequency depends on the application environment. Clean the fixture immediately if the dust enters it to avoid damage to the optical lens due to excessive dust. A soft lint-free cloth moistened with any good glass cleaning fluid is recommended, under no circumstances should solvents be used. Always dry the parts carefully. Clean the external optical lens at least every 20 days.