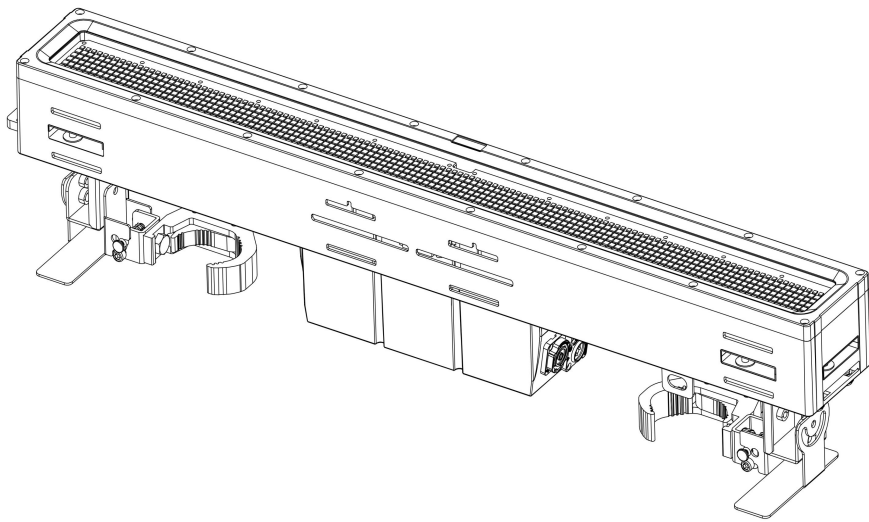


V9



1. Safety Instructions

Please read the instruction carefully which includes important information about the installation, usage and maintenance.

- Please keep this User Guide for future consultation. If you sell the unit to another user, be sure that they also receive this instruction manual.
- Unpack and check carefully to ensure that there is no transportation damage before using the unit.
- This product is suitable for wet locations. Do not immerse in water.
- DO install and operate by qualified operator.
- DO NOT allow children to operate the fixture.
- Use safety chain when fixing the unit. Handle the unit by carrying its base instead of head only.
- The unit must be installed in a location with adequate ventilation, at least 50cm from adjacent surfaces.
- Be sure that no ventilation slots is blocked, otherwise the unit will be overheated.
- Before operation, ensure that you are connecting this product to the proper voltage in accordance with the specifications in this manual or on the product's specification label.
- It's important to ground the yellow/green conductor to earth in order to avoid electric shock.
- Minimum ambient temperature TA: 0°C. Maximum ambient temperature TA: 40°C. Do not operate this product at a lower or higher temperature.
- DO NOT connect the device to any dimmer pack
- Keep flammable materials away from the fixture while operating to avoid fire hazard.
- Make sure the power cord is not crimped or damaged; replace it immediately if damaged
- Unit's surface temperature may reach up to 65°C. DO NOT touch the housing bare-handed during its operation
- Avoid any flammable liquids, water or metal from entering the unit.
- DO NOT operate in a dirty or dusty environment. DO clean the fixture regularly.
- DO NOT touch any wire during operation as there might be a hazard of electric shock.
- Avoid entanglement of the power cord with other wires.
- The minimum distance to objects/surface must be more than 0.5 meters.
- In the event of serious operating problem, stop using the unit immediately.
- Never turn on and off the unit time after time.
- The housing, the lenses, or the ultraviolet filter must be replaced if they are visibly damaged

- DO NOT open the housing as there are no user serviceable parts inside.
- DO NOT attempt to operate this unit if it becomes damaged. DO NOT attempt any repairs yourself. Repairs carried out by unskilled people can lead to damage or malfunction. Please contact the nearest authorized technical assistance center if needed.
- Disconnect this product from its power source before servicing.
- DO use the original packaging if the device is to be transported.
- Avoid direct eye exposure to the light source while the product is on.
- DO NOT operate this product if you see damage on the housing, shields, or cables. Have the damaged parts replaced by an authorized technician at once.

2. INSTALLATIONS

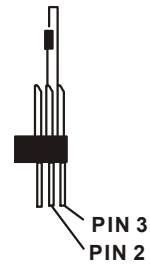
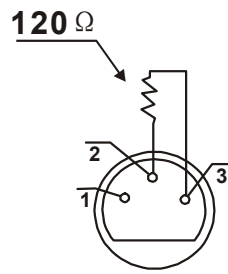
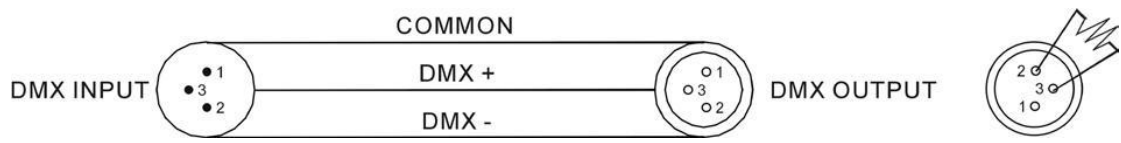
- installations Note: In order to increase protection, please install the lamp on the sidewalk, outside the seating area, or an area where unauthorized persons may touch the led
- Before installing the fixture on any surface, make sure that the installation area can bear the minimum point load above 10 points of the weight of the equipment. The installation of the fixing device must always be fixed with auxiliary safety accessories (such as a suitable safety rope) Do not stand directly under the equipment when installing, removing, or servicing fixtures
- Ensure that this fixture is kept at least 0.5m (1.5 feet) away from any flammable materials (decorations, etc.)
- Be sure to use and install the supplied safety rope to ensure safety and prevent accidental damage and/or injury in case the fixture is damaged
Installation point: Overhead installation requires a wealth of experience, including calculation of working load limits, in-depth understanding of the installation materials used, and regular safety inspections of all installation materials and fixtures. If you do not have these qualifications, please do not try to install it yourself. Improper installation can cause personal injury
Before connecting the main power cord to an appropriate wall outlet, make sure to complete all assembly and installation procedures

3. DMX-512 control connections

Connect the provided XLR cable to the female 3-pin XLR output of your controller and the other side to the male 3-pin XLR input of the moving head. You can chain multiple Moving heads be connected together through serial linking. The cable needed should be two core, screened cable with XLR input and output connectors.

For installations where the DMX cable has to run a long distance or is in an electrically noisy environment, such as in a discotheque, it is recommended to use a DMX terminator. This helps in preventing corruption of the digital control

signal by electrical noise. The DMX terminator is simply an XLR plug with a 120 Ω resistor connected between pins 2 and 3, which is then plugged into the output XLR socket of the last fixture in the chain. Please see illustrations below



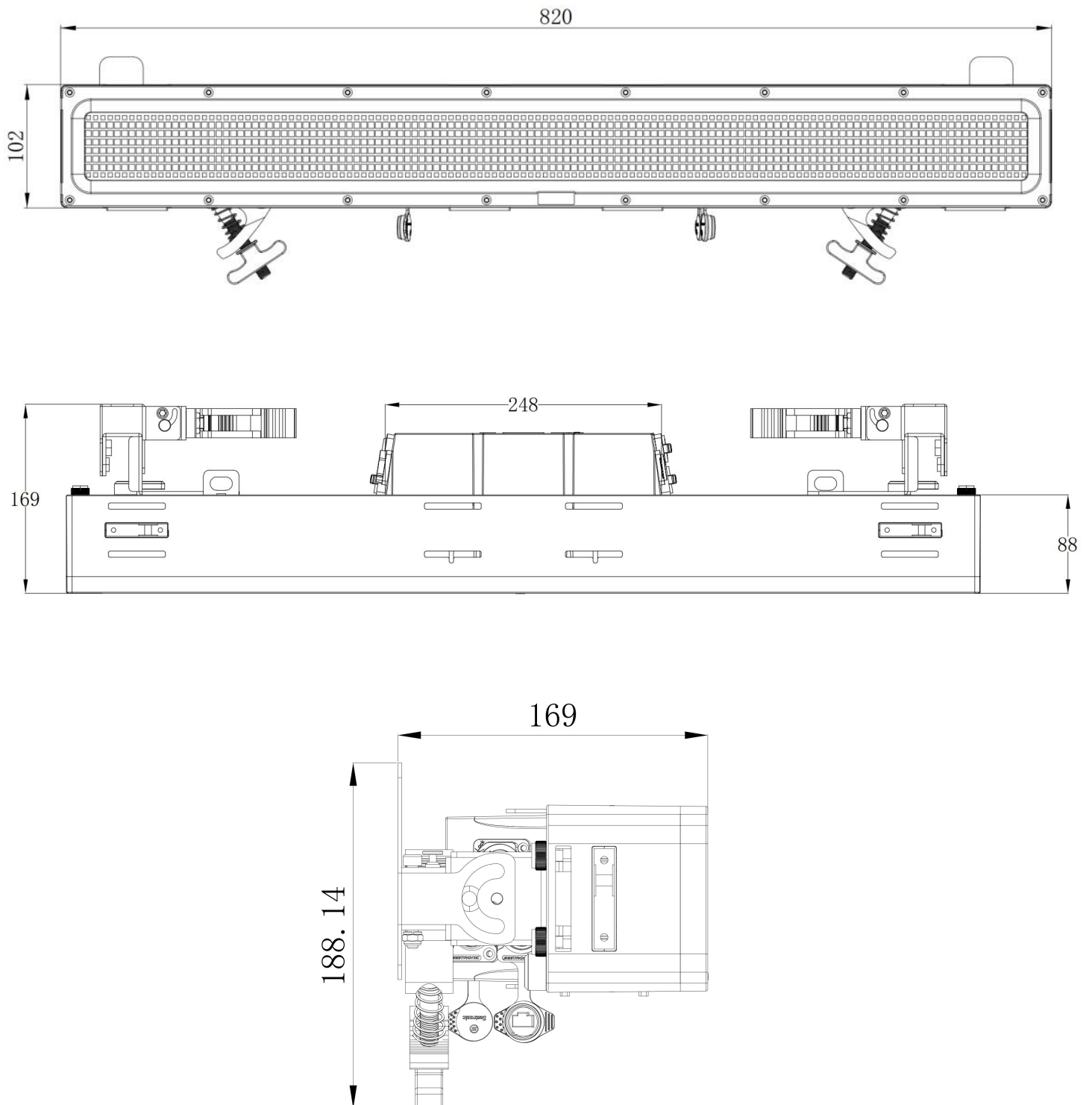
4.Address code setting

If you use a universal DMX controller to control the units, you have to set DMX address from 1 to 512 so that the units can receive DMX signal.

Press the MENU button to enter menu mode, select DMX Settings, press the ENTER button to confirm, use the UP/DOWN button to select DMX Address, press the ENTER button to confirm, the present address will blink in the display, use the UP/DOWN button to adjust the address from 001 to 512, press the ENTER button to store. Press the MENU button back to the last menu or let the unit idle 30 seconds to exit menu mode. Please refer to the following diagram to address your DMX512 channel for the first 4 units.

| Channel MODE | UNIT1 ADDRESS | UNIT2 ADDRESS | UNIT3 ADDRESS | UNIT4 ADDRESS |
|-------------------------|--------------------------|--------------------------|--------------------------|--------------------------|
| 12CH | 1.1 | 1.13 | 1.25 | 1.38 |
| 27CH | 1.1 | 1.28 | 1.55 | 1.82 |
| 44CH | 1.1 | 1.45 | 1.89 | 1.133 |
| 138CH | 1.1 | 1.139 | 1.277 | 1.451 |
| 269CH | 1.1 | 1.270 | 2.1 | 2.270 |
| 166CH | 1.1 | 1.167 | 1.333 | 2.1 |
| 297CH | 1.1 | 1.298 | 2.1 | 2.298 |
| 100CH | 1.1 | 1.101 | 1.201 | 1.301 |

5. Fixture size



6. LED PIXEL ZONES

7. LED technical parameters

Input voltage: 100-240V, 50/60Hz

Power consumption: 600W

Power supply: 800W

Light source: 650pcs x 0.5W 5050 RGB 3IN1

260pcsx3W 3535CW LED (7000K)

Color System: Excellent Color Macro Effects

Rich built-in macro effects

Pixel matrix: RGB is divided into 26 segments and controlled separately (each segment contains 25 RGB LEDs)

CW is controlled separately in 26 segments (each segment contains 10 CW LEDs)

LED lifespan:>20000 hours

DMX channels: 12/27/44/138/269/166/297/100 channels

Operation mode: DMX512、 Automatic, master-slave/ RDM (area net optional)

Dimmer: 0-100% smooth linear dimming

Dimming curves: linear, square law, inverse square law, S-curve

Dimming speed: fast, slow

Strobe: 0-30HZ strong output flicker effect

Display: OLED display

Temperature intelligent control fan

Built in splicing buckle for quick splicing and alignment

Signal input/output: 3-pin and 5-pin waterproof XLR sockets (optional ARE-NET)

Power socket: Waterproof power connector input/output

Protection level: IP66

Size: 820x102x169mm

Net weight: 9kg

Feature:

The lighting fixture includes two zone controls, Zone 1: using 650 0.5W RGB LEDs, 26 zones can be individually controlled, and each block contains 25 RGB LEDs. Zone 2: Using 260 3W CW LEDs, 26 zones can be individually controlled. The excellent and powerful strobe function can create a colorful and vibrant strobe rendering effect, and when the main LED and auxiliary LED work together, they do not affect each other. Built in splicing pins for quick machine splicing, exciting multi area macro tracking, quickly create various dynamic colors and flicker effects, strong flickering colors covering vast areas and other powerful functions, greatly meeting user needs

