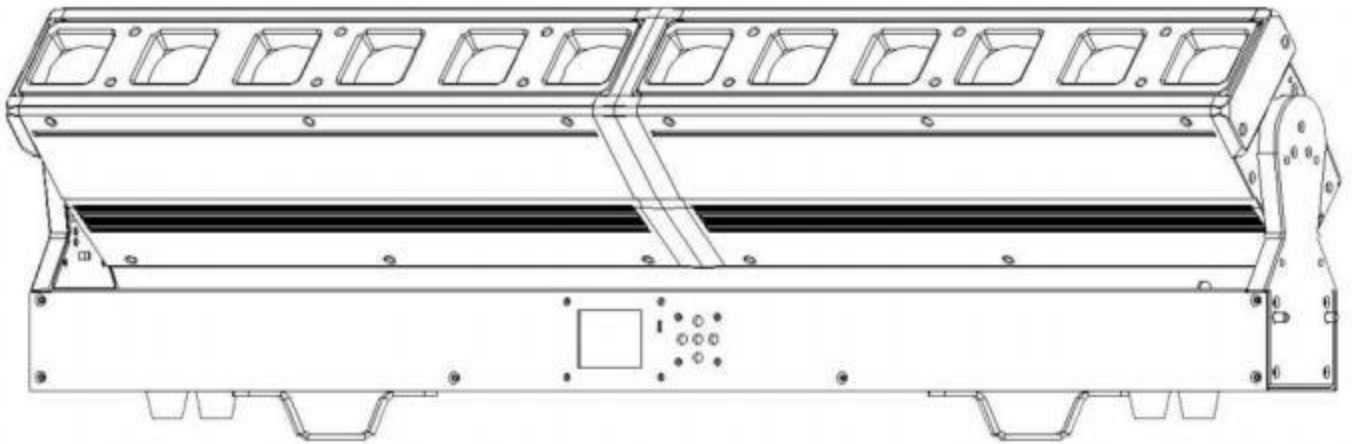


# B1240Z

## User Manual



## **Precautions:**

Thank you for choosing to use our 12x40W beam zoom moving bar. In order to use this product correctly and safely, please read the instructions carefully before installing and using this product. This manual contains important installation and application information. When installing and operating the product, please strictly follow the instructions. At the same time, please keep this manual properly.

6 x 40W beam zoom moving bar is made of engineering plastics and aluminum alloy. This product is designed and produced in strict accordance with CE standards. It complies with the international standard DMX512 signal protocol. It can be used alone for control or online. It has the characteristics of fast rotation, low noise and powerful functions. Suitable for small and medium-sized concerts, theaters, studios, nightclubs, bars and other places

This product uses high-brightness and stable LED (4IN1-R G B W) lamp beads. Please take out the packaging carefully. After taking out the package, please check whether the product is damaged during transportation, and check whether the following items are complete.

Moving head light----- 1	Manual----- 1
Power cord----- 1	Signal line----- 1

The product is complete before leaving the factory. In order to keep the product in good condition and ensure safe operation, the user should abide by the safety matters and warnings in this manual.

Important note: damage caused by non-compliance with this manual is not covered by the warranty

The supplier is not responsible for product problems caused by this.

If the product is in an extremely unstable temperature environment (for example, after transportation), please do not connect the product to the power supply immediately, because the water droplets produced by temperature changes may damage the product. Please use this product after returning to normal temperature.

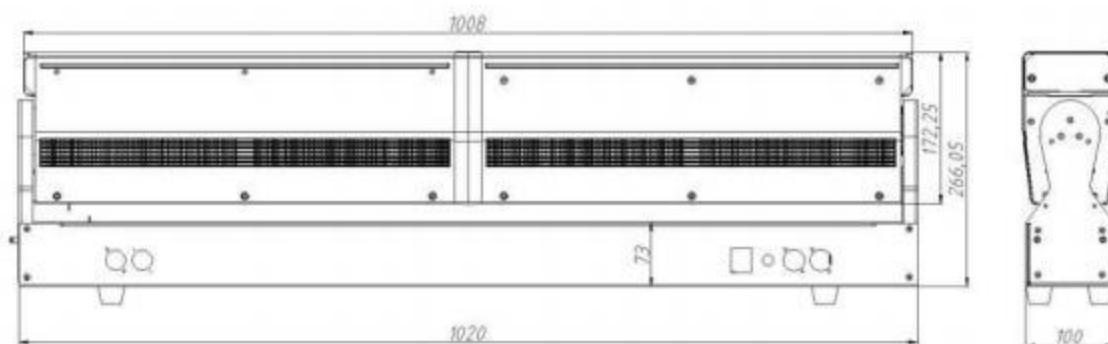
This product can be used in the voltage range of 90-240V, and is a product for indoor use. Please make sure that the ground voltage is not higher than the acceptable range of the product! ! The power plug must be inserted into a Type I protective socket. The yellow-green or tea-cyan conductor must be grounded.

Please check the power cord of this product frequently. Make sure that the power cord is not folded, damaged or scratched, and not connected to another power cord! Please pay special attention when connecting the power cord or related wiring. When not using

this product or before cleaning, be sure to unplug the power source. Before using the product, please familiarize yourself with the operating functions of the product. Please do not allow children or professionals to touch the product. Please do not shake this product. Do not use brute force when installing or operating the product. Do not let non-professionals operate the product. Most of the damage is caused by unprofessional operations.

Please do not modify this product without authorization, otherwise the product may be damaged, so the damage caused is not covered by the warranty. In addition, non-professional operations may cause short circuits, burns or electric shocks.

**Lighting size:**





**Parameter characteristics:**

Input Voltage: 100-240V,50/60Hz

Light Source: 12\*40W RGBW 4in1

Light source life: 50000 hours

Zoom angle: 5-45°

Sectional independent control of focusing system

Dimmer:0-100%(16bit)

Strobe:1-20Hz

DMX Channels: 20/57CH

Operate mode: Master/Slave,Auto,Sound active,DMX512,RDM

W:14.5KG

Lighting size:102x10x30CM

**Features:**

The appearance is simple, the structure is compact, the shell is made of aluminum alloy and engineering plastics, the volume is small, the weight is light, and the side wall has a positioning splicing shaft design to keep the lamps vertically spliced in a straight line.

The operation is simple and convenient. After splicing, the distance between the lamp beads is equal, The overall lighting effect is continuous, the focusing system can be individually controlled in sections, a single light source can be controlled, a variety of color macro effects, 16bit dimming, efficient heat dissipation system, full

temperature monitoring, automatic over-temperature protection,  
only fan speed adjustment, Real-time display of temperature,  
one-key reverse display of settings

**Menu description:**

<b>Main Menu</b>	<b>Secondary Menu</b>	<b>Level3 menu/parameters</b>	<b>parameter</b>
DMX Address	001 - 512		
Fixture	Ch Mode	BAC/STD/EXT	
	Run Mode	DMX/Host/Sound	
	Fast Close	Close/Open	
	Tilt Inv	Close/Open	
Manual	Tilt	0 - 255	
	Tilt Fine	0 - 255	
	...	0 - 255	
	...	0 - 255	
	...	0 - 255	
Information	Time	Current Time	xxxh
		Total Time	xxxh
		Power Count	xxx
	Sensor	Tilt	TRUE/FALSE
		Zoom1	TRUE/FALSE
		Zoom2	TRUE/FALSE
		Zoom3	TRUE/FALSE
		Zoom4	TRUE/FALSE
		Temp	TRUE/FALSE
	Temperature	Head Temp	xxx C
	Software Version	Panel	Vx.xxx
		Dimmer1	Vx.xxx
		Dimmer2	Vx.xxx

Factory	Password	0 - 255	
	Tilt	0 - 255	
	Zoom1	0 - 255	
	Zoom2	0 - 255	
	Zoom3	0 - 255	
	Zoom4	0 - 255	
	...	0 - 255	
	...	0 - 255	
Fixture Reset	Reset	Run/OFF	
	Factory	Run/OFF	
Display	Language	EN/CH	
	Display Flip	Normal/Reverse	
	Display Mode	Show/60s	

### Channel:

14CH	Channel name	Channel value	Channel content
1	Tilt	0 - 255	Y-axis
2	Tilt Fine	0 - 255	Y-axis fine
3	Zoom All	0 - 255	Zoom All
4	Dimmer	0 - 255	dimmer8bit
5	Dim Fine	0 - 255	dimmer16bit
6	Strobe	0 - 31	close
		32 - 63	open
		64 - 95	Regular strobe, speed changes from slow to fast
		96 - 127	open
		128 - 159	Sequential jump
		160 - 191	open
		192 - 223	Random strobe, speed changes from slow to fast
		224 - 255	open
7	Inner Effect		Running
		0 - 8	No effect

		9 - 38	Run 1
		39 - 68	Run 2
		69 - 98	Run 3
		99 - 128	Run 4
		129 - 158	Run 5
		159 - 187	Run 6
		188 - 255	Run 7
8	For Color	0 - 255	Foreground color macro
9	Back Color	0 - 255	Background color macro
10	Red	0 - 255	Red
11	Green	0 - 255	Green
12	Blue	0 - 255	Blue
13	White	0 - 255	White
14	Reserve	0 - 60	Reserve
	Y Black Out: ON	61 - 80	Y Black Out: ON
	Y Black Out: OFF	81 - 100	Y Black Out: OFF
	All Reset	101 - 120	All Reset
	Y Reset	121 - 140	Y Reset
	Zoom Reset	141 - 160	Zoom Reset
	Dimmer Speed: Smooth	161 - 180	Dimmer Speed: Smooth
	Dimmer Speed: Fast	181 - 200	Dimmer Speed: Fast
	Reserve	201 - 255	Reserve

20CH	Channel name	Channel value	Channel content
1	Tilt	0 - 255	Vertical rotation
2	TiltFine	0 - 255	Vertical fine-tuning
3	Tilt-Speed	0 - 255	Vertical motor speed
4	Zoom All	0 - 255	Enlarge the whole
5	Zoom1	0 - 255	Zoom in 1
6	Zoom2	0 - 255	Zoom in 2
7	Dimmer	0 - 255	Dimming 8bit
8	DimFine	0 - 255	Dimming 16bit



9	Strobe	0 - 3	shut down
		4 - 103	Regular stroboscopic, the speed changes from slow to faster
		104 - 107	turn on
		108 - 207	Pulse stroboscopic, the speed changes from slow to fast
		208 - 212	turn on
		213 - 225	Random slow strobe
		226 - 238	Random medium speed strobe
		239 - 251	Random fast strobe
		252 - 255	turn on
10	Red	0 - 255	red
11	Green	0 - 255	green
12	Blue	0 - 255	blue
13	White	0 - 255	white
14	Inner Effect		Built-in effect selection
		0 - 10	no effect
		11 - 13	Static effect 1
		14 - 16	Static effect 2
		... ..	... ..
		67 - 70	Static effect 20
		71 - 72	Dynamic effect 1
		73 - 75	Dynamic effects 2
		... ..	.....
		188 - 190	Dynamic effects 40
		191 - 193	Dynamic color effect 1
		... ..	... ..
		218 - 220	Dynamic color effect 10
		221 - 255	Dynamic color effect 11
15	Effect Speed	0 - 255	Dynamic effect speed (from slow to fast)
16	LED Mirror	0 - 255	LED lamp beads left and right mirroring

17	For Color	0 - 255	Foreground color macro
18	Back Color	0 - 255	Background color macro
19	Back Color Dimmer	0 - 255	Background dimming
20	Function		function
	Fixture Reset	101-120	Fixture Reset
	Reserve	Reserve	No effect

57CH	Channel name	Channel value	Channel content
1	Tilt	0 - 255	Vertical rotation
2	TiltFine	0 - 255	Vertical fine-tuning
3	Tilt-Speed	0 - 255	Vertical motor speed
4	Zoom1	0 - 255	Zoom in 1
5	Zoom2	0 - 255	Zoom in 2
6	Dimmer	0 - 255	Dimming 8bit
7	DimFine	0 - 255	Dimming 16bit
8	Strobe	0 - 3	shut down
		4 - 103	Regular stroboscopic, the speed changes from slow to faster
		104 - 107	turn on
		108 - 207	Pulse stroboscopic, the speed changes from slow to fast
		208 - 212	turn on
		213 - 225	Random slow strobe
		226 - 238	Random medium speed strobe
		239 - 251	Random fast strobe
		252 - 255	turn on
9	LED1 Red	0 - 255	LED1 red
10	LED1 Green	0 - 255	LED1 green
11	LED1 Blue	0 - 255	LED1 blue
12	LED1 White	0 - 255	LED1 white
13	LED2 Red	0 - 255	LED2 red

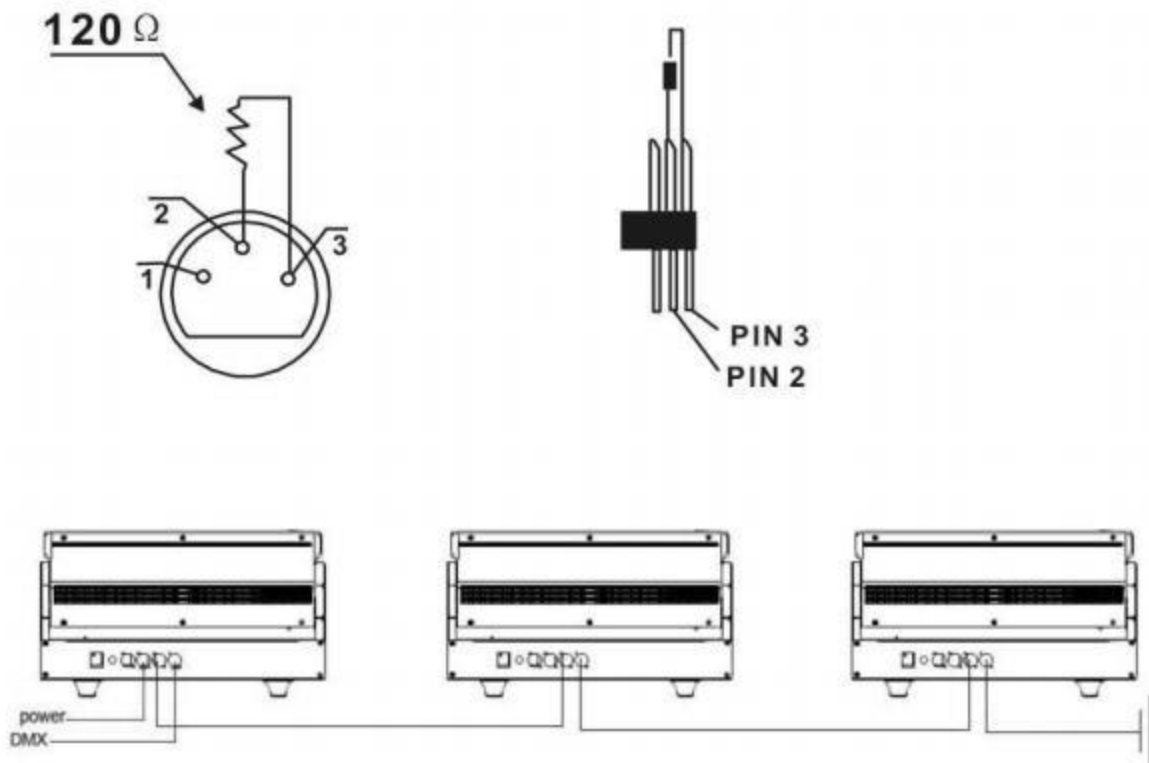
14	LED2 Green	0 - 255	LED2 green
15	LED2 Blue	0 - 255	LED2 blue
16	LED2 White	0 - 255	LED2 white
... ..	... ..	... ..	.....
53	LED12 Red	0 - 255	LED12 red
54	LED12 Green	0 - 255	LED12 green
55	LED12 Blue	0 - 255	LED12 blue
56	LED12 White	0 - 255	LED12 white
57	Function		function
	Fixture Reset	101-120	Fixture Reset
	Reserve	Reserve	No effect

### **DMX-512 control connections**

Connect the provided XLR cable to the female 3-pin XLR output of your controller and the other side to the male 3-pin XLR input of the moving head. You can chain multiple

Moving heads be connected together through serial linking. The cable needed should be two core, screened cable with XLR input and output connectors.

For installations where the DMX cable has to run a long distance or is in an electrically noisy environment, such as in a discotheque, it is recommended to use a DMX terminator. This helps in preventing corruption of the digital control signal by electrical noise. The DMX terminator is simply an XLR plug with a 120 Ω resistor connected between pins 2 and 3, which is then plugged into the output XLR socket of the last fixture in the chain. Please see illustrations below



### **Safety introduction and product maintenance:**

1. The power connection must be made by professionals.
2. Make sure that the use voltage is not higher or lower than the specified value in the instruction manual.
3. Confirm that the power cord is not cut or damaged by a sharp blade.
4. Be sure to disconnect the power supply when the lamp is not in use or before cleaning.
5. Only the plug is allowed to connect the power cord. When pulling out the plug, please do not pull the power cord forcibly.
6. Be careful when installing the lamps and avoid touching the bare wires, otherwise you will suffer a fatal electric shock.



7. Please do not look directly at the light source when the lamp is in use, otherwise your eyes will be hurt.

8. When choosing the installation location, please ensure that the lamp is not exposed to extreme heat, humidity or dust. The distance between the lamp and the illuminated object must exceed 0.5 meters. Make sure that there are no flammable and explosive materials within 0.5 meters.

9. Please use proper and safe wires to connect the lamps.

10. Please operate after familiarizing with the function of the lamp. Most of the damage to the lamps is caused by improper operation, so non-professionals are not allowed to operate the lamps. Do not shake the lamp at will, and do not operate it roughly.

11. Please do not modify the lamp at will. Doing so may cause short circuit, burning, electric shock, etc., and cause malfunction and damage of the lamp. The manufacturer does not provide warranty

### **TROUBESHOOTING:**

For some normal troubleshooting, some solutions are recommended. It should always be solved by professionals disconnecting the power supply

#### **LED is off**

1. Please check if the proper voltage is installed



2. Please check whether the LED will reach the end of its service life and whether it will explode; please replace the lamp beads of the same model

3. Please check whether the power supply voltage is sufficient.

**The light cannot accept control commands:**

1. Please check whether the start code address and function options are correct.

2. Please check whether the communication control cable is connected correctly or the cable is too long or interrupted.

3. Please check whether the control system is invalid and the signal amplifier connection of the chain is valid.

4. Please check whether the communication cable is too long or whether other devices interfere with each other.

5. Please arrange the wires, shorten the signal wires, and separate the high-voltage and low-voltage cables.

6. Increase the signal amplifier isolator.

7. The signal cable adopts excellent double-layer shielding (resistance 75 OHM)