



INDUSTRIAL PLUG-IN DEVICE

Connecting the World, Connecting the Future

INDUSTRIAL WATERPROOF PLUG DEVICE

Weipu industrial waterproof connectors have features such as waterproofing, sun protection, flame retardancy, high-temperature resistance, corrosion resistance, and impact resistance. They can provide safe and economical high-current transmission interconnection services for various industrial sectors, enabling people to use energy more creatively and intelligently allocate and manage energy, even in harsh environments.





www.weipu.cn

We are delighted to listen to your ideas.
If you have any needs, please feel free to
contact us. We are willing to provide you
with advice and create a tailored solution
that perfectly suits your needs.

COMPANY PROFILE

64000+
Factory Area

54+
Patents

5000+
Domestic and International
Customers

90+
The product is widely used
in various countries

Guangdong Weipu Electrical Co., Ltd. was established in 1996 and is a high-tech enterprise integrating the research and development, manufacturing, marketing, and service of connectors, industrial waterproof connector devices, and cable assembly.

Weipu Electric has developed over 60 product series to date, obtaining 54 national patents, with products applied in more than 90 countries. After years of steady operation and rapid development, Weipu has received numerous recognitions, successively becoming a member of the "National Electrical Accessories Standardization Technical Committee" and the drafting unit of the national standard GB/T11918.

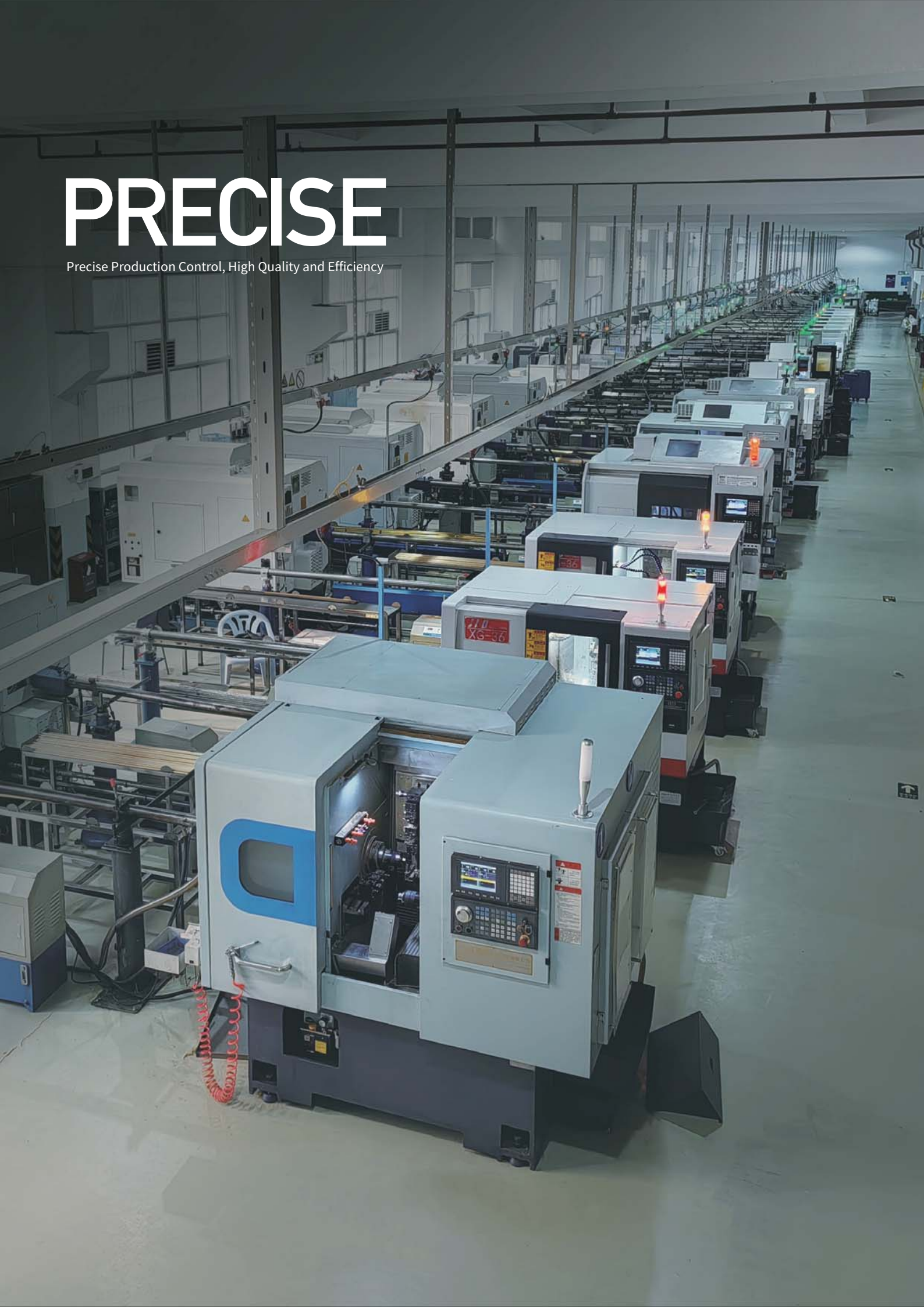
Weipu boasts a rich product line with a comprehensive range, including circular connectors, industrial connectors, heavy-duty connectors, distribution boxes, cable assembly, cable gland, and accessories. With intelligent production equipment and high-configuration testing devices, Weipu offers over 70,000 varieties of products, with an annual production of 45 million units.

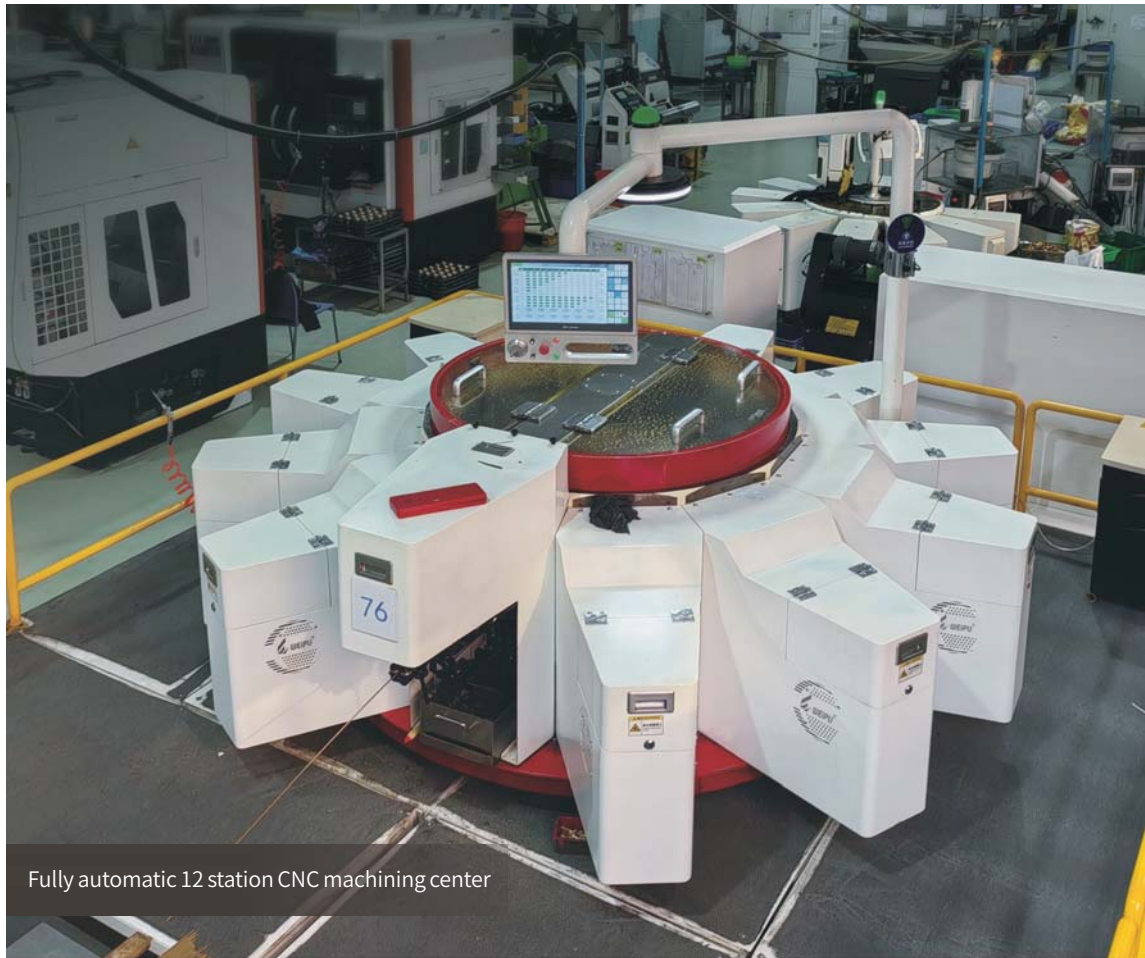
Weipu people keep in mind the mission of "synchronizing Chinese connector technology with the world," responding to "Made in China 2025." We are committed to the path of refinement, standardization, and globalization, striving to create a world-class brand in the connector field.



PRECISE

Precise Production Control, High Quality and Efficiency





Fully automatic 12 station CNC machining center



Imported precision core CNC lathe

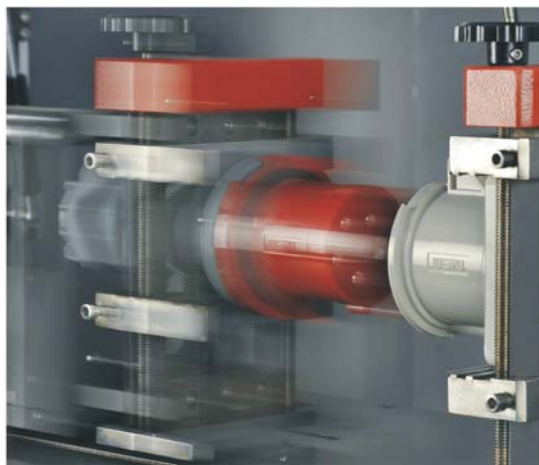
Our production process is controlled by an intelligent system, with each step closely connected and operating efficiently, significantly reducing production time and enhancing overall efficiency. Relying on advanced equipment, we can quickly respond to market changes, winning customer trust with high-quality products. We are steadily advancing on the path of high-quality development, setting industry benchmarks and creating a bright future.

QUALITY

Rigorous testing ensures product quality



Connector vibration detection



Mating Cycle Life Time Test Machine

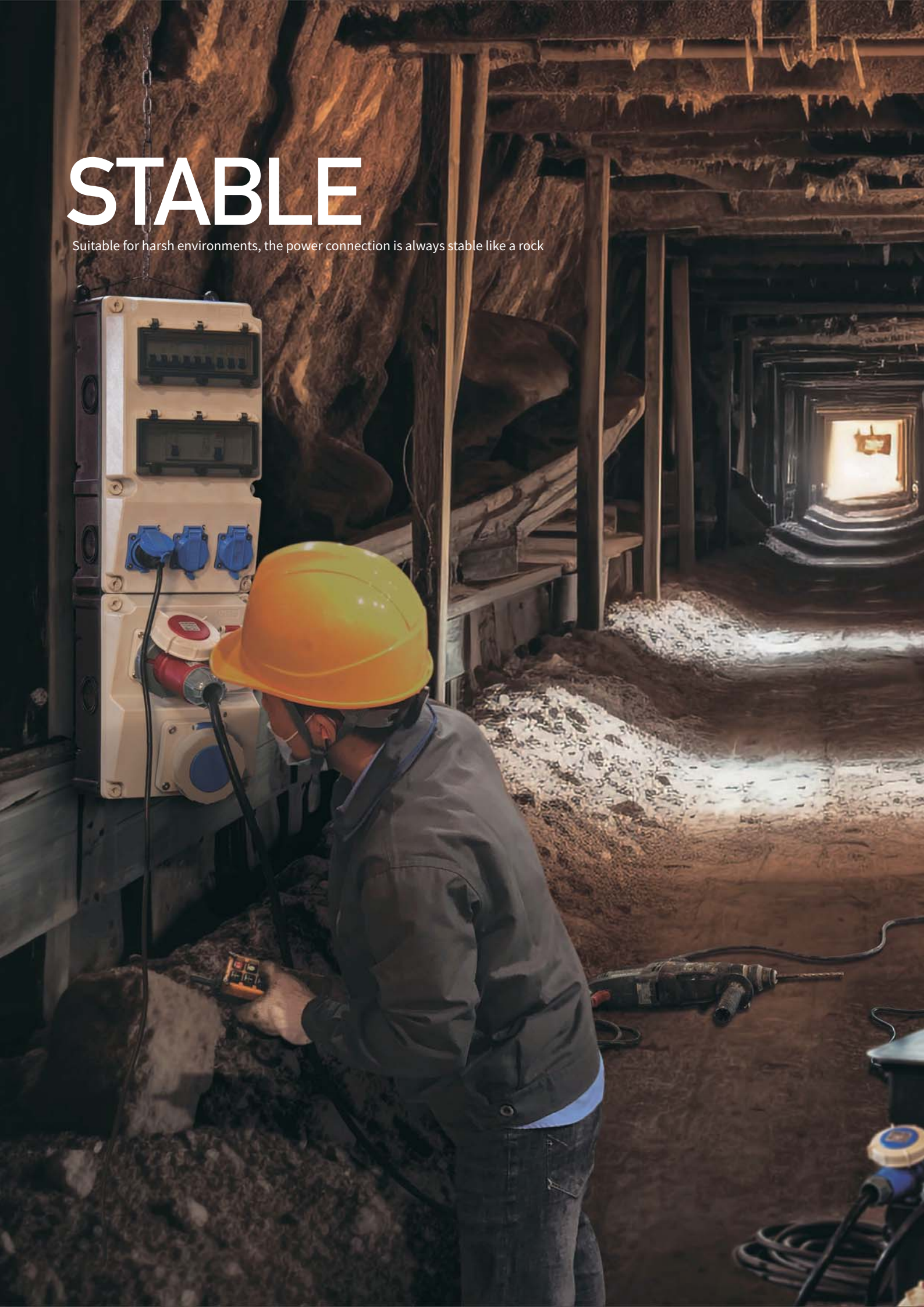


Optical Comparator

Every step undergoes rigorous testing to ensure that product quality remains under control throughout the entire production process, maintaining excellent quality and stable performance.

STABLE

Suitable for harsh environments, the power connection is always stable like a rock

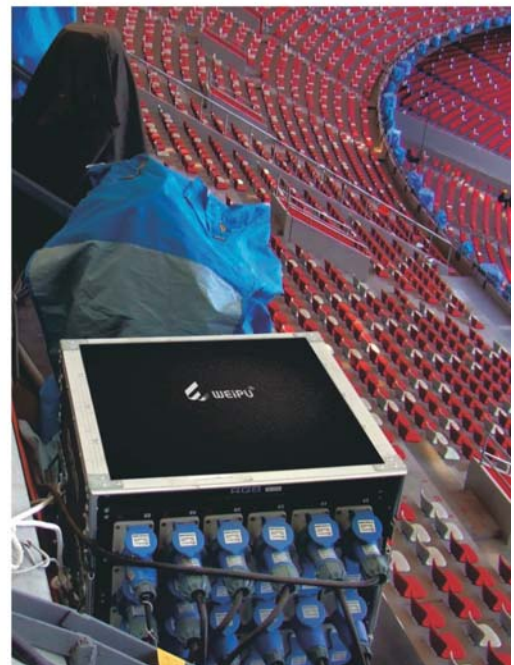
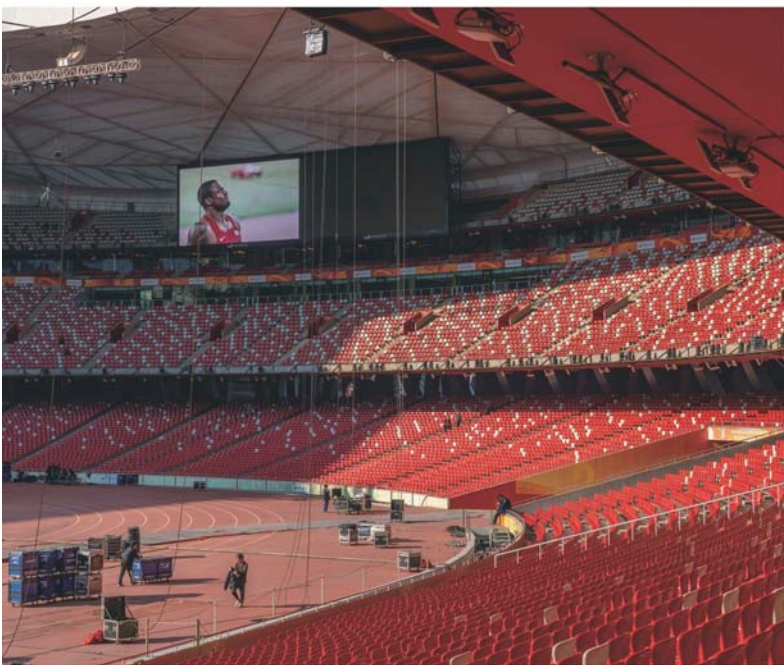


Strength builds reputation,
and quality wins respect.



Weipu's industrial waterproof connector devices feature waterproofing, sun protection, flame retardancy, high-temperature resistance, corrosion resistance, and impact resistance. They provide safe and economical high-current transmission interconnection services for various industrial sectors, enabling people to use energy more creatively and manage and allocate energy intelligently, even in harsh environments.

Beijing Olympic Bird's Nest Project Supporting Facilities



With its powerful power carrying capacity, comprehensive safety protection, convenient installation and maintenance, as well as flexible customization services, Weipu Industrial Connectors have become the preferred choice for power supply in large venues and concerts.

POWER

1

Plug Series

1-5 >

Plug IP44/IP67



2

Socket Series

6-19 >

Panel Mounted Socket IP44/IP67

Angled Panel Mounted Socket IP44/IP67



3

Surface Mounted Socket Series

20-22 >

Surface Mounted Socket IP44/IP65/IP67



4

Panel Mounted Inlet

23-25 >

Panel Mounted Inlet IP44/IP67



5

Wall Mounted Inlet

26-27 >

Wall Mounted Inlet IP44/IP67



6

Cable Connector Series

28-32 >

Cable Connector IP44/IP67



7

Socket with mechanical interlock Series

33-34 >

Socket IP67



8

16A 8-pins Series

35-36 >

Plug	IP44	Inlet	IP44
Socket	IP44	Connector	IP44



9

200A Series

37-38 >

Plug	IP67	Inlet	IP67
Socket	IP67	Connector	IP67



10

400A Series

39-42 >

Plug	IP67	Inlet	IP67
Socket	IP67	Connector	IP67



11

Civil Plug & Socket Series

43-46 >

Civil Plug & Socket IP44/IP65



12

WH400A Series

47-48 >

WH400A IP67



13

WH630A、800A Series

49-51 >

WH630A、800A IP67



14

WL52 Series

52-58 >

WL52 IP67



15

Accessories

59-62 >

3-Pin Flat Plug
 3-Pin Flat Connector
 3-Pin Flat Socket
 AR Durable Electric Heating Plug

Junction-Box
 Transparent Window For MCB
 Support Frame For Switch



16

Combined Distribution Boxes Series

63-72 >

Combined Distribution Boxes IP44 / IP66



17

Portable Distribution Box Series

73-78 >

Portable Distribution Box IP44 / IP66



18

Distribution Box With Cable Reel Series

79-80 >

Distribution Box With Cable Reel IP44/IP67



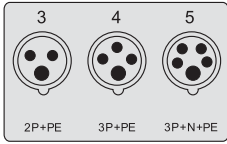
19

Rubber Distribution Box Series

81-84 >

Rubber Distribution Box IP44/IP55/IP66





3pole 4pole 5pole
4h 4h 4h

3pole 4pole 5pole
6h 9h 9h

3pole 4pole 5pole
9h 6h 6h

3pole 4pole 5pole
7h 7h 7h

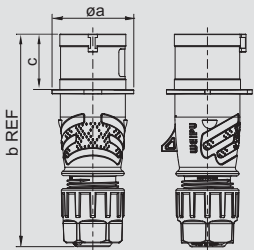
3pole 4pole 5pole
10h 10h 10h

3pole 4pole 5pole
2h 2h 2h

Plug IP44

IEC 60309-1 IEC 60309-2
GB/T11918.1 GB/T11918.2

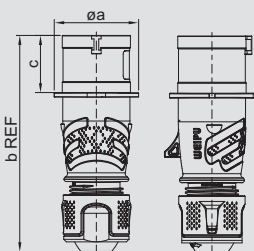
A	P	TYP							pcs/package	g/pcs
16	3	R2314		R231	R2319	R2317	R2310	R2312	10	118
	4	R2334		R2339	R233	R2337	R2330	R2332	10	122
	5	R2354		R2359	R235	R2357	R2350	R2352	10	165
32	3	R2814		R281	R281900	R2817	R2810	R2812	10	220
	4	R2834		R2839	R283	R2837	R2830	R2832	10	239
	5	R2854		R2859	R285	R2857	R2850	R2852	10	260



Amp.	16			32		
Poles	3	4	5	3	4	5
a	53.4	59	67.6	69.8	69.8	73.5
b	139	139	144	173	173	173
c	36.2	36.5	36.5	45.1	45.1	45.4
Min wire size (mm ²)	1.5	1.5	1.5	2.5	2.5	2.5
Max wire size (mm ²)	4	4	4	10	10	10
Cable outer diameter range (mm)	10~14	10~14	10~14	13~19	13~19	13~19

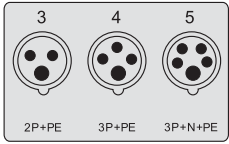
- Plug**
- Clamping cable fix
 - IP44 ▲

A	P	TYP							pcs/package	g/pcs
16	3	R2314-C		R231-C	R2319-C	R2317-C	R2310-C	R2312-C	10	118
	4	R2334-C		R2339-C	R233-C	R2337-C	R2330-C	R2332-C	10	122
	5	R2354-C		R2359-C	R235-C	R2357-C	R2350-C	R2352-C	10	165
32	3	R2814-C		R281-C	R281900-C	R2817-C	R2810-C	R2812-C	10	220
	4	R2834-C		R2839-C	R283-C	R2837-C	R2830-C	R2832-C	10	239
	5	R2854-C		R2859-C	R285-C	R2857-C	R2850-C	R2852-C	10	260



Amp.	16			32		
Poles	3	4	5	3	4	5
a	53.4	59	67.6	69.8	69.8	73.5
b	139	139	144	173	173	173
c	36.2	36.5	36.5	45.1	45.1	45.4
Min wire size (mm ²)	1.5	1.5	1.5	2.5	2.5	2.5
Max wire size (mm ²)	4	4	4	10	10	10
Cable outer diameter range (mm)	10~14	10~14	10~14	13~19	13~19	13~19

- Plug**
- Clamping cable fix
 - IP44 ▲
 - Compression nut with TPE



3pole 4pole 5pole 3pole 4pole 5pole 3pole 4pole 5pole 3pole 4pole 5pole 3pole 4pole 5pole 3pole 4pole 5pole
4h 4h 4h 6h 9h 9h 9h 6h 6h 7h 7h 7h 10h 10h 10h 2h 2h 2h

Plug IP44 IEC 60309-1 IEC 60309-2 GB/T11918.1 GB/T11918.2

A	P	TYP							pcs/package	g/pcs
	3	H2314		H231	H2319	H2317	H2310	H2312	10	123
	4	H2334		H2339	H233	H2337	H2330	H2332	10	146
	5	H2354		H2359	H235	H2357	H2350	H2352	10	170
32	3	H2814		H281	H281900	H2817	H2810	H2812	10	276
	4	H2834		H2839	H283	H2837	H2830	H2832	10	298
	5	H2854		H2859	H285	H2857	H2850	H2852	10	336

Amp.	16			32		
Poles	3	4	5	3	4	5
a	53.9	60.8	69	73.5	73.5	79.5
b	150	151	155	190	190	190
c	36.6	36.7	36.9	46	46	46
Min wire size (mm ²)	1.5	1.5	1.5	2.5	2.5	2.5
Max wire size (mm ²)	4	4	4	10	10	10
Cable outer diameter range (mm)	10~14	10~14	10~14	13~19	13~19	13~19

Plug

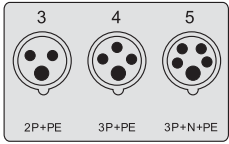
- Clamping cable fix
- IP44 ⚠

A	P	TYP							pcs/package	g/pcs
	3	6414		641	6419	6417	6410	6412	5	566
	4	6434		6439	643	6437	6430	6432	5	636
	5	6454		6459	645	6457	6450	6452	5	677

Amp.	63		
Poles	3	4	5
a	98	98	98
b	260	260	260
c	192	192	192
Min wire size (mm)	6	6	6
Max wire size (mm)	25	25	25
Cable outer diameter range (mm)	20~31	20~31	20~31

Plug

- Clamping cable fix
- IP44 ⚠



3pole 4pole 5pole 3pole 4pole 5pole 3pole 4pole 5pole 3pole 4pole 5pole 3pole 4pole 5pole 3pole 4pole 5pole
4h 4h 4h 6h 9h 9h 9h 6h 6h 7h 7h 7h 10h 10h 10h 2h 2h 2h

Plug IP67

IEC 60309-1 IEC 60309-2
GB/T11918.1 GB/T11918.2

A	P	TYP							pcs/package	g/pcs
	3	R1714		R171	R1719	R1717	R1710	R1712	10	150
	16	4	R1734	R1739	R173	R1737	R1730	R1732	10	178
	5	R1754	R1759	R175	R1757	R1750	R1752	10	209	
32	3	R3714		R371	R371900	R3717	R3710	R3712	10	283
	4	R3734	R3739	R373	R3737	R3730	R3732	10	300	
	5	R3754	R3759	R375	R3757	R3750	R3752	10	314	

Amp.	16			32		
Poles	3	4	5	3	4	5
a	71	79.5	88	94.5	94.5	101
b	139	139	144	173	173	173
Min wire size (mm ²)	1.5	1.5	1.5	2.5	2.5	2.5
Max wire size (mm ²)	4	4	4	10	10	10
Cable outer diameter range (mm)	10~14	10~14	10~14	13~19	13~19	13~19

Plug

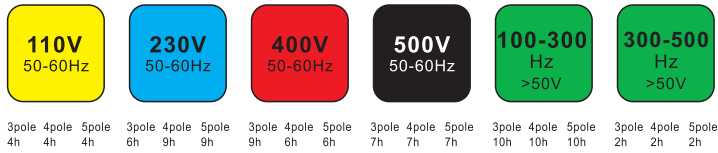
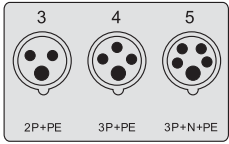
- Clamping cable fix
- IP67 ▲▲

A	P	TYP							pcs/package	g/pcs
	3	R1714-C		R171-C	R1719-C	R1717-C	R1710-C	R1712-C	10	150
	16	4	R1734-C	R1739-C	R173-C	R1737-C	R1730-C	R1732-C	10	178
	5	R1754-C	R1759-C	R175-C	R1757-C	R1750-C	R1752-C	10	209	
32	3	R3714-C		R371-C	R371900-C	R3717-C	R3710-C	R3712-C	10	291
	4	R3734-C	R3739-C	R373-C	R3737-C	R3730-C	R3732-C	10	308	
	5	R3754-C	R3759-C	R375-C	R3757-C	R3750-C	R3752-C	10	322	

Amp.	16			32		
Poles	3	4	5	3	4	5
a	71	79.5	88	94.5	94.5	101
b	139	139	144	173	173	173
Min wire size (mm ²)	1.5	1.5	1.5	2.5	2.5	2.5
Max wire size (mm ²)	4	4	4	10	10	10
Cable outer diameter range (mm)	10~14	10~14	10~14	13~19	13~19	13~19

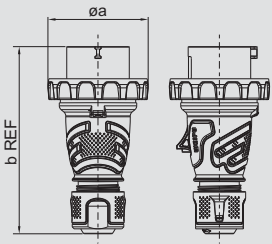
Plug

- Clamping cable fix
- Compression nut with TPE
- IP67 ▲▲



Plug IP67 IEC 60309-1 IEC 60309-2
GB/T11918.1 GB/T11918.2

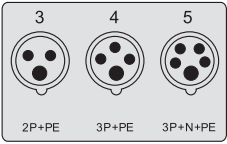
A	P	TYP							pcs/package	g/pcs
16	3	H1714		H171	H1719	H1717	H1710	H1712	10	150
	4	H1734		H1739	H173	H1737	H1730	H1732	10	178
	5	H1754		H1759	H175	H1757	H1750	H1752	10	209
32	3	H3714		H371	H371900	H3717	H3710	H3712	10	314
	4	H3734		H3739	H373	H3737	H3730	H3732	10	336
	5	H3754		H3759	H375	H3757	H3750	H3752	10	379



Amp.	16			32		
Poles	3	4	5	3	4	5
a	71	79.5	88	94.5	94.5	101
b	150	151	155	190	190	190
Min wire size (mm ²)	1.5	1.5	1.5	2.5	2.5	2.5
Max wire size (mm ²)	4	4	4	10	10	10
Cable outer diameter range (mm)	10~14	10~14	10~14	13~19	13~19	13~19

Plug

- Clamping cable fix
- IP67 ▲▲



110V
50-60Hz

230V
50-60Hz

400V
50-60Hz

500V
50-60Hz

100-300
Hz
>50V

300-500
Hz
>50V

3pole 4pole 5pole
4h 4h 4h

3pole 4pole 5pole
6h 9h 9h

3pole 4pole 5pole
9h 6h 6h

3pole 4pole 5pole
7h 7h 7h

3pole 4pole 5pole
10h 10h 10h

3pole 4pole 5pole
2h 2h 2h

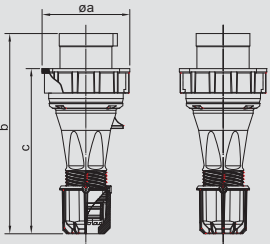
Plug IP67

IEC 60309-1 IEC 60309-2
GB/T11918.1 GB/T11918.2

A P TYP ■ ■ ■ ■ ■ ■ pcs/package g/pcs



A	P	TYP	Yellow	Cyan	Red	Black	Green	Green	pcs/package	g/pcs
	3	6714		671	6719	6717	6710	6712	5	631
63	4	6734		6739	673	6737	6730	6732	5	696
	5	6754		6759	675	6757	6750	6752	5	741



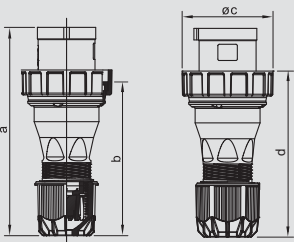
Amp.	63		
Poles	3	4	5
a	113.5	113.5	113.5
b	260	260	260
c	195	195	195
Min wire size (mm)	6	6	6
Max wire size (mm)	25	25	25
Cable outer diameter range (mm)	20~31	20~31	20~31

- Plug**
- Clamping cable fix
 - IP67 ▲▲

A P TYP ■ ■ ■ ■ ■ ■ pcs/package g/pcs

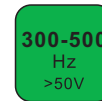
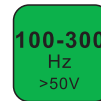
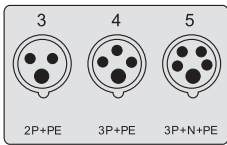


A	P	TYP	Yellow	Cyan	Red	Black	Green	Green	pcs/package	g/pcs
	3	9714		971	9719	9717	9710	9712	3	1055
125	4	9734		9739	973	9737	9730	9732	3	1141
	5	9754		9759	975	9757	9750	9752	3	1250



Amp.	125		
Poles	3	4	5
a	280	280	280
b	213.6	213.6	213.6
c	128	128	128
d	225	225	225
Min wire size (mm)	25	25	25
Max wire size (mm)	70	70	70
Cable outer diameter range (mm)	30~47	30~47	30~47

- Plug**
- Clamping cable fix
 - IP67 ▲▲



3pole 4pole 5pole 3pole 4pole 5pole 3pole 4pole 5pole 3pole 4pole 5pole 3pole 4pole 5pole 3pole 4pole 5pole
4h 4h 4h 6h 9h 9h 9h 6h 6h 7h 7h 7h 10h 10h 10h 2h 2h 2h

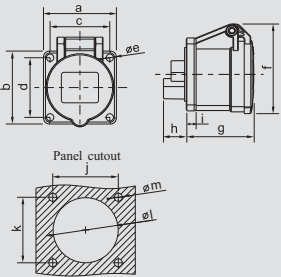
Panel mounted socket IP44

IEC 60309-1 IEC 60309-2
GB/T11918.1 GB/T11918.2

A P TYP pcs/package g/pcs



16	3	51014	5101	51019	51017	51010	51012	10	97
----	---	-------	------	-------	-------	-------	-------	----	----



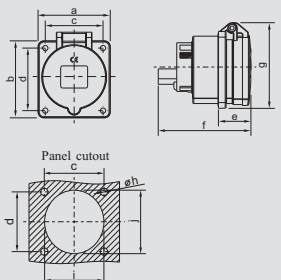
Amp.	16
Poles	3
a	55.5
b	55.5
c	45.5
d	45.5
e	5.5
f	67.6
g	50.8
h	17.6
i	7
j	45.5
k	45.5
l	45
m	5.5
Min wire size(mm)	1.5
Max wire size(mm)	4

Panel mounted socket
 ● Flange: 16A3P: 55.5mmX55.5mm
 ● IP44

A P TYP pcs/package g/pcs

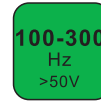
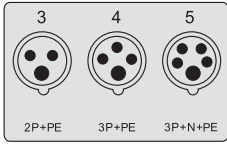


16	3	46014	4601	46019	46017	46010	46012	10	93
	3	48014	4801	48019	48017	48010	48012	10	184
32	4	48184	48189	4818	48187	48180	48182	10	197
	5	48234	48239	4823	48237	48230	48232	10	217



Amp.	16	32		
Poles	3	3	4	5
a	55	75	75	75
b	60	80	80	80
c	45	60	60	60
d	50	65	65	65
e	32.3	33.8	33.8	34.3
f	69	96.3	96.3	79.3
g	70.5	89	89	93.3
h	5.5	5.5	5.5	5.5
i	43	66.5	66.5	72
j	53	71.5	71.5	77.5
Min wire size (mm)	1.5	2.5	2.5	2.5
Max wire size (mm)	4	6	6	6

Panel mounted socket
 ● Flange: 16A3P: 55mmX60mm
 32A3P, 4P, 5P: 75mmX80mm
 ● IP44



3pole 4pole 5pole 3pole 4pole 5pole 3pole 4pole 5pole 3pole 4pole 5pole 3pole 4pole 5pole 3pole 4pole 5pole
4h 4h 4h 6h 9h 9h 9h 6h 6h 7h 7h 7h 10h 10h 10h 2h 2h 2h

Panel mounted socket IP44

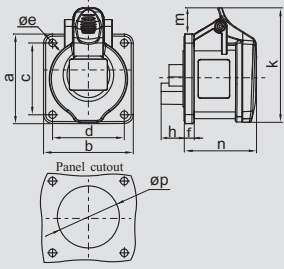
IEC 60309-1 IEC 60309-2
GB/T11918.1 GB/T11918.2

A	P	TYP							pcs/package	g/pcs
16	3	R56014		R5601	R56019	R56017	R56010	R56012	10	118
	4	R56184		R56189	R5618	R56187	R56180	R56182	10	150
	5	R56234		R56239	R5623	R56237	R56230	R56232	10	183
32	3	R58014		R5801	R58019	R58017	R58010	R58012	10	208
	4	R58184		R58189	R5818	R58187	R58180	R58182	10	221
	5	R58234		R58239	R5823	R58237	R58230	R58232	10	230



Amp.	16			32		
Poles	3	4	5	3	4	5
a	65	65	75	75	75	75
b	65	65	75	75	75	75
c	52	52	60	60	60	60
d	52	52	60	60	60	60
e	5.5	5.5	5.5	5.5	5.5	5.5
f	7	7	7	8	8	8
h	17	26	23	37	37	19
n	52	54	53	62	62	60
k	83	91.5	99	98	98	105
p	45	45	55	60	60	60
m	19	24	22	18	18	23
Min wire size(mm)	1.5	1.5	1.5	2.5	2.5	2.5
Max wire size(mm)	4	4	4	6	6	6

Panel mounted socket
 ● Flange: 16A, 3P, 4P: 65mmX65mm
 Others: 75mmX75mm
 ● IP44 ⚠

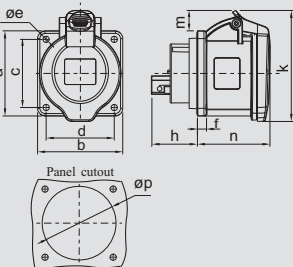


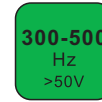
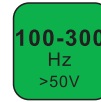
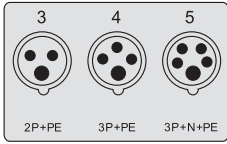
A	P	TYP							pcs/package	g/pcs
16	3	H56014		H5601	H56019	H56017	H56010	H56012	10	118
	4	H56184		H56189	H5618	H56187	H56180	H56182	10	150
	5	H56234		H56239	H5623	H56237	H56230	H56232	10	183
32	3	H58014		H5801	H58019	H58017	H58010	H58012	10	241
	4	H58184		H58189	H5818	H58187	H58180	H58182	10	255
	5	H58234		H58239	H5823	H58237	H58230	H58232	10	300



Amp.	16			32		
Poles	3	4	5	3	4	5
a	65	65	75	75	75	75
b	65	65	75	75	75	75
c	52	52	60	60	60	60
d	52	52	60	60	60	60
e	5.5	5.5	5.5	5.5	5.5	5.5
f	7	7	7	8	8	8
h	35	34	37	40	40	41
n	55	56.5	53	64	64	63
k	83	91.5	99	98	98	105
p	45	50	58	65	65	66
m	19	24	21.5	18	18	23
Min wire size(mm)	1.5	1.5	1.5	2.5	2.5	2.5
Max wire size(mm)	4	4	4	10	10	10

Panel mounted socket
 ● Flange: 16A, 3P, 4P: 65mmX65mm
 Others: 75mmX75mm
 ● IP44 ⚠



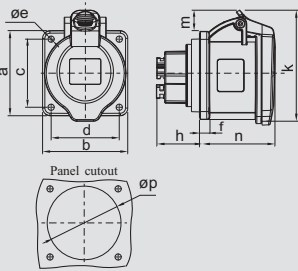


3pole 4pole 5pole 3pole 4pole 5pole 3pole 4pole 5pole 3pole 4pole 5pole 3pole 4pole 5pole 3pole 4pole 5pole
4h 4h 4h 6h 9h 9h 9h 6h 6h 7h 7h 7h 10h 10h 10h 2h 2h 2h

Panel mounted socket IP44

IEC 60309-1 IEC 60309-2
GB/T11918.1 GB/T11918.2

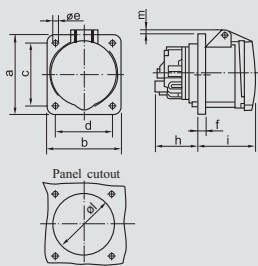
A	P	TYP							pcs/package	g/pcs
16	3	H56014-S	H5601-S	H56019-S	H56017-S	H56010-S	H56012-S	10	118	
	4	H56184-S	H56189-S	H5618-S	H56187-S	H56180-S	H56182-S	10	150	
	5	H56234-S	H56239-S	H5623-S	H56237-S	H56230-S	H56232-S	10	183	
32	3	H58014-S	H5801-S	H58019-S	H58017-S	H58010-S	H58012-S	10	218	
	4	H58184-S	H58189-S	H5818-S	H58187-S	H58180-S	H58182-S	10	233	
	5	H58234-S	H58239-S	H5823-S	H58237-S	H58230-S	H58232-S	10	273	



Amp.	16			32		
Poles	3	4	5	3	4	5
a	65	65	75	75	75	75
b	65	65	75	75	75	75
c	52	52	60	60	60	60
d	52	52	60	60	60	60
e	5.5	5.5	5.5	5.5	5.5	5.5
f	7	7	7	8	8	8
h	38	37.5	41	37	37	38
k	55	56.5	53	64	64	63
n	83	91.5	99	98	98	105
p	45	50	58	65	65	66
m	19	24	21.5	18	18	23
Min wire size(mm)	1.5	1.5	1.5	2.5	2.5	2.5
Max wire size(mm)	4	4	4	6	6	6

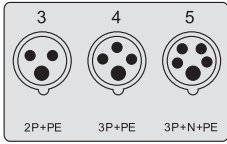
Panel mounted socket
 ● Flange: 16A, 3P, 4P: 65mmX65mm
 Others: 75mmX75mm
 ● IP44 ⚠

A	P	TYP							pcs/package	g/pcs
63	3	59014	5901	59019	59017	59010	59012	5	553	
	4	59184	59189	5918	59187	59180	59182	5	610	
	5	59234	59239	5923	59237	59230	59232	5	687	



Amp.	63		
Poles	3	4	5
a	107	107	107
b	100	100	100
c	85	85	85
d	77	77	77
e	6.5	6.5	6.5
f	12	12	12
h	56	56	56
i	77	77	77
l	88	88	88
m	7	7	7
Min wire size (mm)	6	6	6
Max wire size (mm)	25	25	25

Panel mounted socket
 ● Flange: 107mmX100mm
 ● IP44 ⚠



3pole 4pole 5pole
4h 4h 4h

3pole 4pole 5pole
6h 9h 9h

3pole 4pole 5pole
9h 6h 6h

3pole 4pole 5pole
7h 7h 7h

3pole 4pole 5pole
10h 10h 10h

3pole 4pole 5pole
2h 2h 2h

Panel mounted socket IP67

IEC 60309-1 IEC 60309-2
GB/T11918.1 GB/T11918.2

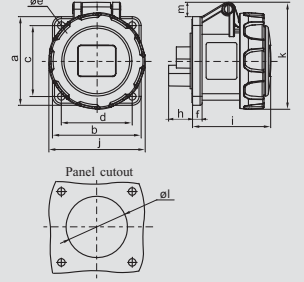
A	P	TYP							pcs/package	g/pcs
16	3	R56024	R5602	R56029	R56027	R56020	R56022	10	138	
	4	R56194	R56199	R5619	R56197	R56190	R56192	10	174	
	5	R56244	R56249	R5624	R56247	R56240	R56242	10	213	
32	3	R58024	R5802	R58029	R58027	R58020	R58022	10	250	
	4	R58194	R58199	R5819	R58197	R58190	R58192	10	260	
	5	R58244	R58249	R5824	R58247	R58240	R58242	10	282	



Amp.	16			32		
Poles	3	4	5	3	4	5
a	65	65	75	75	75	75
b	65	65	75	75	75	75
c	52	52	60	60	60	60
d	52	52	60	60	60	60
e	5.5	5.5	5.5	5.5	5.5	5.5
f	7	7	7	8	8	8
h	17	26	23	37	37	19
i	57	57	58	66	66	64
j	71	79.5	88	94.5	94.5	101
m	10.5	16	13	12	12	16.5
k	79	88	94	96	96	105
l	45	45	55	60	60	60
Min wire size(mm)	1.5	1.5	1.5	2.5	2.5	2.5
Max wire size(mm)	4	4	4	6	6	6

Panel mounted socket

- Flange: 16A, 3P, 4P: 65mmX65mm
Others: 75mmX75mm
- IP67 ▲▲



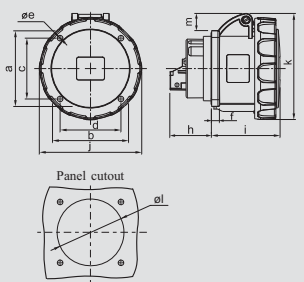
A	P	TYP							pcs/package	g/pcs
16	3	H56024	H5602	H56029	H56027	H56020	H56022	10	138	
	4	H56194	H56199	H5619	H56197	H56190	H56192	10	174	
	5	H56244	H56249	H5624	H56247	H56240	H56242	10	213	
32	3	H58024	H5802	H58029	H58027	H58020	H58022	10	283	
	4	H58194	H58199	H5819	H58197	H58190	H58192	10	296	
	5	H58244	H58249	H5824	H58247	H58240	H58242	10	362	

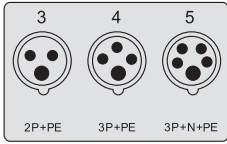


Amp.	16			32		
Poles	3	4	5	3	4	5
a	65	65	75	75	75	75
b	65	65	75	75	75	75
c	52	52	60	60	60	60
d	52	52	60	60	60	60
e	5.5	5.5	5.5	5.5	5.5	5.5
f	7	7	7	8	8	8
h	35	34	37	40	40	41
i	60	60	58	67	67	68
j	71	79.5	88	94.5	94.5	101
m	10.5	16	12.5	12	12	17
k	77.5	87	93	96	96	105
l	45	50	58	65	65	66
Min wire size(mm)	1.5	1.5	1.5	2.5	2.5	2.5
Max wire size(mm)	4	4	4	10	10	10

Panel mounted socket

- Flange: 16A, 3P, 4P: 65mmX65mm
Others: 75mmX75mm
- IP67 ▲▲





3pole 4pole 5pole 3pole 4pole 5pole 3pole 4pole 5pole 3pole 4pole 5pole 3pole 4pole 5pole 3pole 4pole 5pole
4h 4h 4h 6h 9h 9h 9h 6h 6h 7h 7h 7h 10h 10h 10h 2h 2h 2h

Panel mounted socket IP67 IEC 60309-1 IEC 60309-2
GB/T11918.1 GB/T11918.2

A	P	TYP							pcs/package	g/pcs
	3	H56024-S	H5602-S	H56029-S	H56027-S	H56020-S	H56022-S	10	138	
	4	H56194-S	H56199-S	H5619-S	H56197-S	H56190-S	H56192-S	10	174	
	5	H56244-S	H56249-S	H5624-S	H56247-S	H56240-S	H56242-S	10	213	
	3	H58024-S	H5802-S	H58029-S	H58027-S	H58020-S	H58022-S	10	257	
	4	H58194-S	H58199-S	H5819-S	H58197-S	H58190-S	H58192-S	10	274	
	5	H58244-S	H58249-S	H5824-S	H58247-S	H58240-S	H58242-S	10	335	

Amp.	16			32		
Poles	3	4	5	3	4	5
a	65	65	75	75	75	75
b	65	65	75	75	75	75
c	52	52	60	60	60	60
d	52	52	60	60	60	60
e	5.5	5.5	5.5	5.5	5.5	5.5
f	7	7	7	8	8	8
h	38	37.5	41	38	38	37
i	60	60	58	67	67	68
j	71	79.5	88	94.5	94.5	101
m	10.5	16	12.5	12	12	17
k	77.5	87	93	96	96	105
l	45	50	58	65	65	66
Min wire size(mm)	1.5	1.5	1.5	2.5	2.5	2.5
Max wire size(mm)	4	4	4	6	6	6

Panel mounted socket

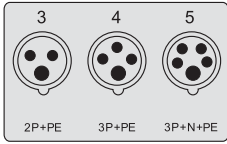
- Flange: 16A, 3P, 4P: 65mmX65mm
Others: 75mmX75mm
- IP67

A	P	TYP							pcs/package	g/pcs
	3	59024	5902	59029	59027	59020	59022	5	603	
	4	59194	59199	5919	59197	59190	59192	5	673	
	5	59244	59249	5924	59247	59240	59242	5	713	

Amp.	63		
Poles	3	4	5
a	107	107	107
b	100	100	100
c	85	85	85
d	77	77	77
e	6.5	6.5	6.5
f	12	12	12
h	56.5	56.5	56.5
i	76	76	76
j	111	111	111
k	113	113	113
l	88	88	88
m	7	7	7
Min wire size(mm)	6	6	6
Max wire size(mm)	25	25	25

Panel mounted socket

- Flange: 107mmX100mm
- IP67



3pole 4pole 5pole
4h 4h 4h

3pole 4pole 5pole
6h 9h 9h

3pole 4pole 5pole
9h 6h 6h

3pole 4pole 5pole
7h 7h 7h

3pole 4pole 5pole
10h 10h 10h

3pole 4pole 5pole
2h 2h 2h

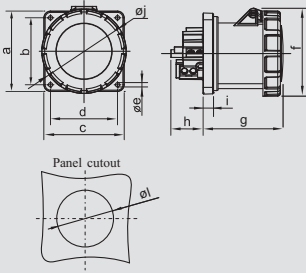
Panel mounted socket IP67

IEC 60309-1 IEC 60309-2
GB/T11918.1 GB/T11918.2

A P TYP pcs/package g/pcs

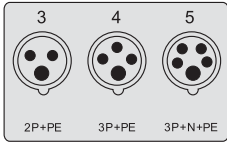


A	P	TYP							pcs/package	g/pcs
	3	52024	5202	52029	52027	52020	52022	3	1066	
125	4	52194	52199	5219	52197	52190	52192	3	1194	
	5	52244	52249	5224	52247	52240	52242	3	1358	



Amp.	125
Poles	3 4 5
a	120 120 120
b	100 100 100
c	120 120 120
d	100 100 100
e	6.5 6.5 6.5
f	130 130 130
g	118.2 118.2 118.2
h	47.7 47.7 47.7
i	15.4 15.4 15.4
j	126 126 126
l	105 105 105
Min wire size(mm)	25 25 25
Max wire size(mm)	70 70 70

- Panel mounted socket**
- Flange : 120mmX120mm
 - IP67



3pole 4pole 5pole
4h 4h 4h

3pole 4pole 5pole
6h 9h 9h

3pole 4pole 5pole
9h 6h 6h

3pole 4pole 5pole
7h 7h 7h

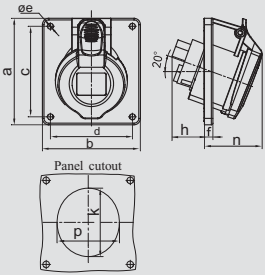
3pole 4pole 5pole
10h 10h 10h

3pole 4pole 5pole
2h 2h 2h

Angled mounted socket IP44

IEC 60309-1 IEC 60309-2
GB/T11918.1 GB/T11918.2

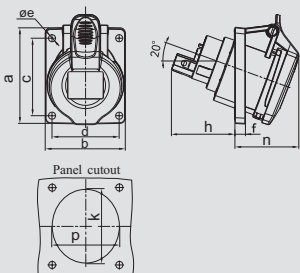
A	P	TYP							pcs/package	g/pcs
16	3	R36014	R3601	R36019	R36017	R36010	R36012	10	125	
	4	R36184	R36189	R3618	R36187	R36180	R36182	10	194	
	5	R36234	R36239	R3623	R36237	R36230	R36232	10	220	
32	3	R38014	R3801	R38019	R38017	R38010	R38012	10	250	
	4	R38184	R38189	R3818	R38187	R38180	R38182	10	262	
	5	R38234	R38239	R3823	R38237	R38230	R38232	10	271	



Amp.	16			32		
Poles	3	4	5	3	4	5
a	74	100	100	100	100	100
b	62	92	92	92	92	92
c	60	85	85	85	85	85
d	52	77	77	77	77	77
e	5.5	5.5	5.5	5.5	5.5	5.5
f	8	8	8	8	8	8
h	30.5	30.5	29.5	48	48	35
n	49	55	55	63	63	60
k	60	65	70	75	75	78
p	54	65	70	75	75	78
Min wire size(mm)	1.5	1.5	1.5	2.5	2.5	2.5
Max wire size(mm)	4	4	4	6	6	6

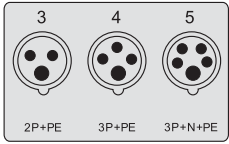
- Angled panel mounted socket**
- 20° Angled
 - Flange: 16A、3P: 74mmX62mm
Others: 100mmX92mm
 - IP44

A	P	TYP							pcs/package	g/pcs
16	3	H36014	H3601	H36019	H36017	H36010	H36012	10	125	



Amp.	16		
Poles	3		
a	74		
b	62		
c	60		
d	52		
e	5.5		
f	8		
h	49		
n	49.5		
k	60		
p	54		
Min wire size(mm)	1.5		
Max wire size(mm)	4		

- Angled panel mounted socket**
- 20° Angled
 - Flange: 16A、3P: 74mmX62mm
Others: 100mmX92mm
 - IP44



3pole 4pole 5pole
4h 4h 4h

3pole 4pole 5pole
6h 9h 9h

3pole 4pole 5pole
9h 6h 6h

3pole 4pole 5pole
7h 7h 7h

3pole 4pole 5pole
10h 10h 10h

3pole 4pole 5pole
2h 2h 2h

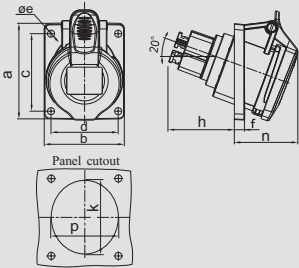
Angled mounted socket IP44

IEC 60309-1 IEC 60309-2
GB/T11918.1 GB/T11918.2

A P TYP pcs/package g/pcs



A	P	TYP							pcs/package	g/pcs
16	3	H36014-S	H3601-S	H36019-S	H36017-S	H36010-S	H36012-S	10	125	



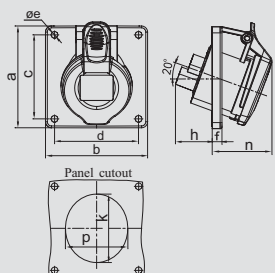
Amp.	16
Poles	3
a	74
b	62
c	60
d	52
e	5.5
f	8
h	51
n	49.5
k	60
p	54
Min wire size(mm)	1.5
Max wire size(mm)	4

- Angled panel mounted socket**
- 20° Angled
 - Flange: 16A, 3P: 74mmX62mm
Others: 100mmX92mm
 - IP44

A P TYP pcs/package g/pcs

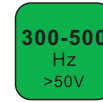
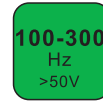
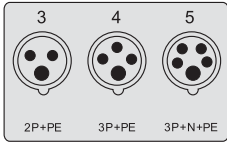


16	3	R35014	R3501	R35019	R35017	R35010	R35012	10	138
	4	R35184	R35189	R3518	R35187	R35180	R35182	10	176
	5	R35234	R35239	R3523	R35237	R35230	R35232	10	198
32	3	R37014	R3701	R37019	R37017	R37010	R37012	10	226
	4	R37184	R37189	R3718	R37187	R37180	R37182	10	240
	5	R37234	R37239	R3723	R37237	R37230	R37232	10	235



Amp.	16			32		
Poles	3	4	5	3	4	5
a	85	85	85	85	85	85
b	85	85	85	85	85	85
c	70	70	70	70	70	70
d	70	70	70	70	70	70
e	5.5	5.5	5.5	5.5	5.5	5.5
f	8	8	8	8	8	8
h	30.5	30.5	29.5	48	48	35
n	49	55	55	63	63	60
k	60	65	70	75	75	78
p	54	65	70	75	75	78
Min wire size(mm)	1.5	1.5	1.5	2.5	2.5	2.5
Max wire size(mm)	4	4	4	6	6	6

- Angled panel mounted socket**
- 20° Angled
 - Flange: 85mmX85mm
 - IP44

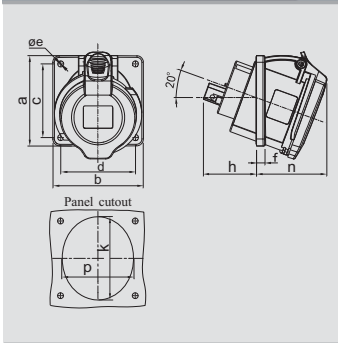


3pole 4pole 5pole 3pole 4pole 5pole 3pole 4pole 5pole 3pole 4pole 5pole 3pole 4pole 5pole 3pole 4pole 5pole
4h 4h 4h 6h 9h 9h 9h 6h 6h 7h 7h 7h 10h 10h 10h 2h 2h 2h

Angled mounted socket IP44

IEC 60309-1 IEC 60309-2
GB/T11918.1 GB/T11918.2

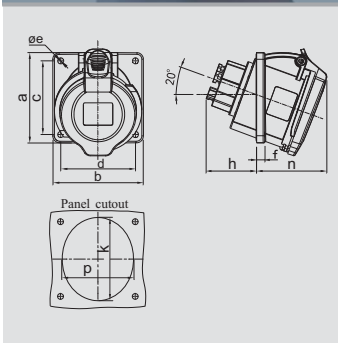
A	P	TYP							pcs/package	g/pcs
16	3	—	—	—	—	—	—	—	10	138
	4	H35184	H35189	H3518	H35187	H35180	H35182	10	176	
	5	H35234	H35239	H3523	H35237	H35230	H35232	10	198	
32	3	H37014	H3701	H37019	H37017	H37010	H37012	10	257	
	4	H37184	H37189	H3718	H37187	H37180	H37182	10	271	
	5	H37234	H37239	H3723	H37237	H37230	H37232	10	321	



Amp.	16			32		
Poles	3	4	5	3	4	5
a	85	85	85	85	85	85
b	85	85	85	85	85	85
c	70	70	70	70	70	70
d	70	70	70	70	70	70
e	5.5	5.5	5.5	5.5	5.5	5.5
f	8	8	8	8	8	8
h	47	49	50	49	47	47
n	53.5	52.5	66	66	70	70
k	68	72	78	78	78	78
p	62	67	78	78	78	78
Min wire size(mm)	1.5	1.5	2.5	2.5	2.5	2.5
Max wire size(mm)	4	4	10	10	10	10

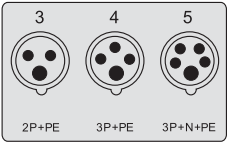
- Angled panel mounted socket**
- 20° Angled
 - Flange: 85mmX85mm
 - IP44

A	P	TYP							pcs/package	g/pcs
16	3	—	—	—	—	—	—	—	10	138
	4	H35184-S	H35189-S	H3518-S	H35187-S	H35180-S	H35182-S	10	176	
	5	H35234-S	H35239-S	H3523-S	H35237-S	H35230-S	H35232-S	10	198	
32	3	H37014-S	H3701-S	H37019-S	H37017-S	H37010-S	H37012-S	10	232	
	4	H37184-S	H37189-S	H3718-S	H37187-S	H37180-S	H37182-S	10	249	
	5	H37234-S	H37239-S	H3723-S	H37237-S	H37230-S	H37232-S	10	294	



Amp.	16			32		
Poles	3	4	5	3	4	5
a	85	85	85	85	85	85
b	85	85	85	85	85	85
c	70	70	70	70	70	70
d	70	70	70	70	70	70
e	5.5	5.5	5.5	5.5	5.5	5.5
f	8	8	8	8	8	8
h	50.5	54	47	47	45	45
n	53.5	52.5	66	66	70	70
k	68	72	78	78	78	78
p	62	67	78	78	78	78
Min wire size(mm)	1.5	1.5	2.5	2.5	2.5	2.5
Max wire size(mm)	4	4	6	6	6	6

- Angled panel mounted socket**
- 20° Angled
 - Flange: 85mmX85mm
 - IP44



3pole 4pole 5pole 3pole 4pole 5pole 3pole 4pole 5pole 3pole 4pole 5pole 3pole 4pole 5pole 3pole 4pole 5pole
4h 4h 4h 6h 9h 9h 9h 6h 6h 7h 7h 7h 10h 10h 10h 2h 2h 2h

Angled mounted socket IP44 IEC 60309-1 IEC 60309-2
GB/T11918.1 GB/T11918.2

A	P	TYP							pcs/package	g/pcs
	3	35014		3501	35019	35017	35010	35012	10	115
	4	35184		35189	3518	35187	35180	35182	10	150
	5	35234		35239	3523	35237	35230	35232	10	170
	3	37014		3701	37019	37017	37010	37012	10	205
	4	37184		37189	3718	37187	37180	37182	10	210
	5	37234		37239	3723	37237	37230	37232	10	215

Amp.	16			32		
Poles	3	4	5	3	4	5
a	85	85	85	85	85	85
b	85	85	85	85	85	85
c	70	70	70	70	70	70
d	70	70	70	70	70	70
e	5.5	5.5	5.5	5.5	5.5	5.5
f	8	8	8	8	8	8
h	30	30	29	34	42	34
i	48	50	55	58	58	60
k	60	65	70	75	75	78
l	54	65	70	75	75	78
Min wire size(mm)	1.5	1.5	1.5	2.5	2.5	2.5
Max wire size(mm)	4	4	4	6	6	6

Angled panel mounted socket

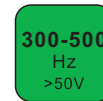
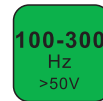
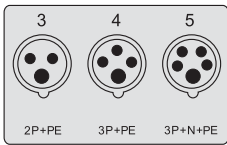
- 20° Angled
- Flange: 85mmX85mm
- IP44 ⚠

A	P	TYP							pcs/package	g/pcs
	3	39014		3901	39019	39017	39010	39012	5	587
	4	39184		39189	3918	39187	39180	39182	5	653
	5	39234		39239	3923	39237	39230	39232	5	724

Amp.	63		
Poles	3	4	5
a	114	114	114
b	114	114	114
c	90	90	90
d	90	90	90
e	6.5	6.5	6.5
f	12	12	12
h	65	65	58.5
i	81	81	81
l	92	92	92
Min wire size(mm)	6	6	6
Max wire size(mm)	25	25	25

Angled panel mounted socket

- 15° Angled
- Flange: 114mmX114mm
- IP44 ⚠

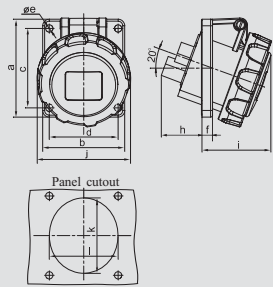


3pole 4pole 5pole 3pole 4pole 5pole 3pole 4pole 5pole 3pole 4pole 5pole 3pole 4pole 5pole 3pole 4pole 5pole
4h 4h 4h 6h 9h 9h 9h 6h 6h 7h 7h 7h 10h 10h 10h 2h 2h 2h

Angled mounted socket IP67

IEC 60309-1 IEC 60309-2
GB/T11918.1 GB/T11918.2

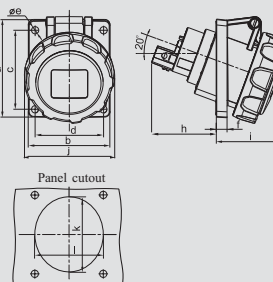
A	P	TYP							pcs/package	g/pcs
16	3	R36024		R3602	R36029	R36027	R36020	R36022	10	144
	4	R36194		R36199	R3619	R36197	R36190	R36192	10	202
	5	R36244		R36249	R3624	R36247	R36240	R36242	10	252
32	3	R38024		R3802	R38029	R38027	R38020	R38022	10	286
	4	R38194		R38199	R3819	R38197	R38190	R38192	10	300
	5	R38244		R38249	R3824	R38247	R38240	R38242	10	315



Amp.	16			32		
Poles	3	4	5	3	4	5
a	74	100	100	100	100	100
b	62	92	92	92	92	92
c	60	85	85	85	85	85
d	52	77	77	77	77	77
e	5.5	5.5	5.5	5.5	5.5	5.5
f	8	8	8	8	8	8
h	30.5	30.5	29.5	48	48	48
i	54	57	60	66	66	66
j	71	79.5	88	94.5	94.5	101
k	60	65	70	75	75	78
l	54	65	70	75	75	78
Min wire size(mm)	1.5	1.5	1.5	2.5	2.5	2.5
Max wire size(mm)	4	4	4	6	6	6

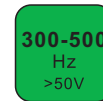
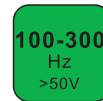
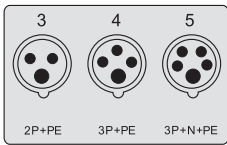
- Angled panel mounted socket**
- 20° Angled
 - Flange: 16A、3P: 74mmX62mm
Rest: 100mmX92mm
 - IP67

A	P	TYP							pcs/package	g/pcs
16	3	H36024		H3602	H36029	H36027	H36020	H36022	10	144



Amp.	16		
Poles	3		
a	74		
b	62		
c	60		
d	52		
e	5.5		
f	8		
h	49		
i	52		
j	71		
k	60		
l	54		
Min wire size(mm)	1.5		
Max wire size(mm)	4		

- Angled panel mounted socket**
- 20° Angled
 - Flange: 16A、3P: 74mmX62mm
Rest: 100mmX92mm
 - IP67



3pole 4pole 5pole 3pole 4pole 5pole 3pole 4pole 5pole 3pole 4pole 5pole 3pole 4pole 5pole 3pole 4pole 5pole
4h 4h 4h 6h 9h 9h 9h 6h 6h 7h 7h 7h 10h 10h 10h 2h 2h 2h

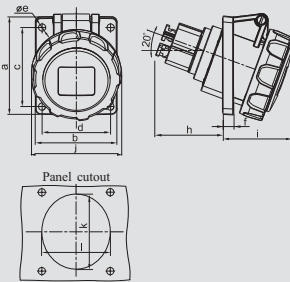
Angled mounted socket IP67

IEC 60309-1 IEC 60309-2
GB/T11918.1 GB/T11918.2

A P TYP pcs/package g/pcs



16 3 H36024-S **H3602-S** H36029-S H36027-S H36020-S H36022-S 10 144



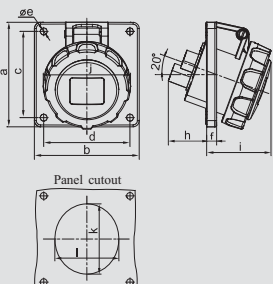
Amp.	16
Poles	3
a	74
b	62
c	60
d	52
e	5.5
f	8
h	51
i	52
j	71
k	60
l	54
Min wire size(mm)	1.5
Max wire size(mm)	4

- Angled panel mounted socket**
- 20° Angled
 - Flange: 16A、3P: 74mmX62mm
Rest: 100mmX92mm
 - IP67

A P TYP pcs/package g/pcs

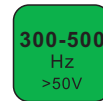
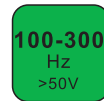
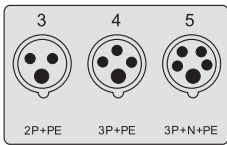


16 3 R35024 **R3502** R35029 R35027 R35020 R35022 10 155
 16 4 R35194 R35199 **R3519** R35197 R35190 R35192 10 198
 5 R35244 R35249 **R3524** R35247 R35240 R35242 10 233
 32 3 R37024 **R3702** R37029 R37027 R37020 R37022 10 260
 32 4 R37194 R37199 **R3719** R37197 R37190 R37192 10 276
 5 R37244 R37249 **R3724** R37247 R37240 R37242 10 295



Amp.	16			32		
Poles	3	4	5	3	4	5
a	85	85	85	85	85	85
b	85	85	85	85	85	85
c	70	70	70	70	70	70
d	70	70	70	70	70	70
e	5.5	5.5	5.5	5.5	5.5	5.5
f	8	8	8	8	8	8
h	30.5	30.5	29.5	48	48	35
i	54	57	60	66	66	64
j	71	79.5	88	94.5	94.5	101
k	60	65	70	75	75	78
l	54	65	70	75	75	78
Min wire size(mm)	1.5	1.5	1.5	2.5	2.5	2.5
Max wire size(mm)	4	4	4	6	6	6

- Angled panel mounted socket**
- 20° Angled
 - Flange: 85mmX85mm
 - IP67

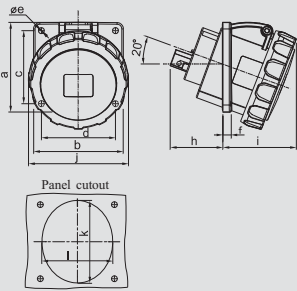


3pole 4pole 5pole 3pole 4pole 5pole 3pole 4pole 5pole 3pole 4pole 5pole 3pole 4pole 5pole 3pole 4pole 5pole
4h 4h 4h 6h 9h 9h 9h 6h 6h 7h 7h 7h 10h 10h 10h 2h 2h 2h

Angled mounted socket IP67

IEC 60309-1 IEC 60309-2
GB/T11918.1 GB/T11918.2

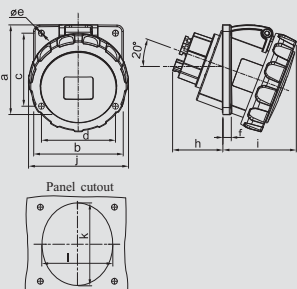
A	P	TYP							pcs/package	g/pcs
16	3	—	—	—	—	—	—	—	10	155
	4	H35194	H35199	H3519	H35197	H35190	H35192	10	198	
	5	H35244	H35249	H3524	H35247	H35240	H35242	10	233	
32	3	H37024	H3702	H37029	H37027	H37020	H37022	10	293	
	4	H37194	H37199	H3719	H37197	H37190	H37192	10	306	
	5	H37244	H37249	H3724	H37247	H37240	H37242	10	371	



Amp.	16			32		
Poles	3	4	5	3	4	5
a	85	85	85	85	85	85
b	85	85	85	85	85	85
c	70	70	70	70	70	70
d	70	70	70	70	70	70
e	5.5	5.5	5.5	5.5	5.5	5.5
f	8	8	8	8	8	8
h	47	49	50	49	47	47
i	55	55	69	69	74	74
j	85	88	94.5	94.5	101	101
k	68	72	78	78	78	78
l	62	67	78	78	78	78
Min wire size(mm)	1.5	1.5	2.5	2.5	2.5	2.5
Max wire size(mm)	4	4	10	10	10	10

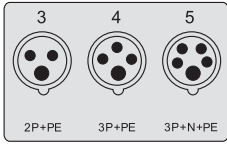
Angled panel mounted socket
 ● 20° Angled
 ● Flange: 85mmX85mm
 ● IP67

A	P							pcs/package	g/pcs
16	3	—	—	—	—	—	—	10	155
	4	H35194-S	H35199-S	H3519-S	H35197-S	H35190-S	H35192-S	10	198
	5	H35244-S	H35249-S	H3524-S	H35247-S	H35240-S	H35242-S	10	233
32	3	H37024-S	H3702-S	H37029-S	H37027-S	H37020-S	H37022-S	10	268
	4	H37194-S	H37199-S	H3719-S	H37197-S	H37190-S	H37192-S	10	284
	5	H37244-S	H37249-S	H3724-S	H37247-S	H37240-S	H37242-S	10	345



Amp.	16			32		
Poles	3	4	5	3	4	5
a	85	85	85	85	85	85
b	85	85	85	85	85	85
c	70	70	70	70	70	70
d	70	70	70	70	70	70
e	5.5	5.5	5.5	5.5	5.5	5.5
f	8	8	8	8	8	8
h	50.5	54	47	47	45	45
i	55	55	69	69	74	74
j	85	88	94.5	94.5	101	101
k	68	72	78	78	78	78
l	62	67	78	78	78	78
Min wire size(mm)	1.5	1.5	2.5	2.5	2.5	2.5
Max wire size(mm)	4	4	6	6	6	6

Angled panel mounted socket
 ● 20° Angled
 ● Flange: 85mmX85mm
 ● IP67



110V
50-60Hz

230V
50-60Hz

400V
50-60Hz

500V
50-60Hz

100-300
Hz
>50V

300-500
Hz
>50V

3pole 4pole 5pole
4h 4h 4h

3pole 4pole 5pole
6h 9h 9h

3pole 4pole 5pole
9h 6h 6h

3pole 4pole 5pole
7h 7h 7h

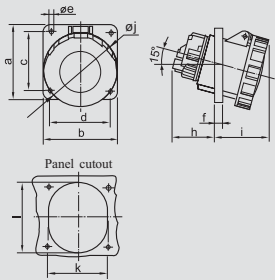
3pole 4pole 5pole
10h 10h 10h

3pole 4pole 5pole
2h 2h 2h

Angled mounted socket IP67

IEC 60309-1 IEC 60309-2
GB/T11918.1 GB/T11918.2

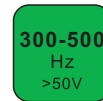
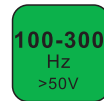
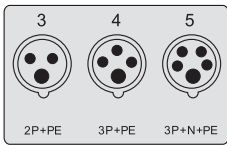
A	P	TYP							pcs/package	g/pcs
	3	39024	3902	39029	39027	39020	39022	5	634	
63	4	39194	39199	3919	39197	39190	39192	5	704	
	5	39244	39249	3924	39247	39240	39242	5	765	



Amp.	63		
Poles	3	4	5
a	114	114	114
b	114	114	114
c	90	90	90
d	90	90	90
e	6.5	6.5	6.5
f	12	12	12
h	65	65	65
j	111	111	111
i	80	80	80
k	92	92	92
l	92	92	92
Min wire size(mm)	6	6	6
Max wire size(mm)	25	25	25

Angled panel mounted socket

- 15° Angled
- Flange: 114mmX114mm
- IP67

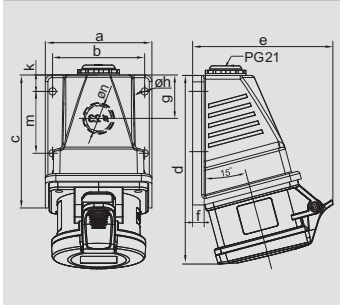


3pole 4pole 5pole 3pole 4pole 5pole 3pole 4pole 5pole 3pole 4pole 5pole 3pole 4pole 5pole 3pole 4pole 5pole
4h 4h 4h 6h 9h 9h 9h 6h 6h 7h 7h 7h 10h 10h 10h 2h 2h 2h

Surface mounted socket IP44

IEC 60309-1 IEC 60309-2
GB/T11918.1 GB/T11918.2

A	P	TYP							pcs/package	g/pcs
16	3	R66014	R6601	R66019	R66017	R66010	R66012	10	199	
	4	R66184	R66189	R6618	R66187	R66180	R66182	10	232	
	5	R66234	R66239	R6623	R66237	R66230	R66232	10	284	
32	3	R68014	R6801	R68019	R68017	R68010	R68012	10	308	
	4	R68184	R68189	R6818	R68187	R68180	R68182	10	320	
	5	R68234	R68239	R6823	R68237	R68230	R68232	10	329	

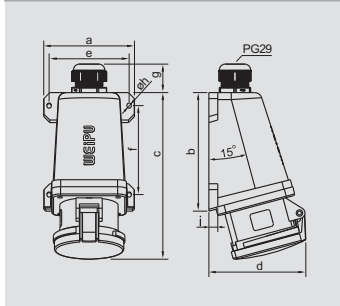


Amp.	16			32		
Poles	3	4	5	3	4	5
a	71	71	81	81	81	81
b	60	60	70	70	70	70
c	83	83	101	101	101	101
d	127	129	147	156	156	154
e	96.5	101.5	109.5	107.5	107.5	111
f	8.5	8.5	8.5	8.5	8.5	8.5
g	37	37	33	33	33	33
h	5.5	5.5	5.5	5.5	5.5	5.5
k	13	13	12.5	12.5	12.5	12.5
n	23	23	23	23	23	23
m	33.5	33.5	47	47	47	47
Min wire size(mm)	1.5	1.5	1.5	2.5	2.5	2.5
Max wire size(mm)	4	4	4	6	6	6

Surface mounted socket

- Cable inlet: One top (opening)
One bottom hole(closed)
- IP44 ⚠

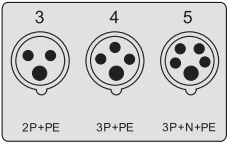
A	P	TYP							pcs/package	g/pcs
63	3	69014	6901	69019	69017	69010	69012	5	880	
	4	69184	69189	6918	69187	69180	69182	5	950	
	5	69234	69239	6923	69237	69230	69232	5	1007	



Amp.	63		
Poles	3	4	5
a	122.5	122.5	122.5
b	160.2	160.2	160.2
c	225.5	225.5	225.5
d	130.3	130.3	130.3
e	108	108	108
f	120	120	120
g	39.4	39.4	39.4
h	6	6	6
i	12	12	12
Min wire size(mm)	6	6	6
Max wire size(mm)	25	25	25

Surface mounted socket

- Cable inlet: in tail (opening)
One bottom hole(closed)
- More wiring space
- IP44 ⚠



3pole 4pole 5pole 3pole 4pole 5pole 3pole 4pole 5pole 3pole 4pole 5pole 3pole 4pole 5pole 3pole 4pole 5pole
4h 4h 4h 6h 9h 9h 9h 6h 6h 7h 7h 7h 10h 10h 10h 2h 2h 2h

Surface mounted socket IP65/IP67 IEC 60309-1 IEC 60309-2
GB/T11918.1 GB/T11918.2

A	P	TYP	Yellow	Blue	Red	Black	Green	Light Green	pcs/package	g/pcs
16	3	R66024		R6602	R66029	R66027	R66020	R66022	10	300
	4	R66194		R66199	R6619	R66197	R66190	R66192	10	334
	5	R66244		R66249	R6624	R66247	R66240	R66242	10	412
32	3	R68024		R6802	R68029	R68027	R68020	R68022	10	448
	4	R68194		R68199	R6819	R68197	R68190	R68192	10	461
	5	R68244		R68249	R6824	R68247	R68240	R68242	10	480

Amp.	16			32		
Poles	3	4	5	3	4	5
a	110	110	125	125	125	125
b	100	100	115	115	115	115
c	125	129	146	153	153	154
d	80	80	95	95	95	95
e	78	78	83	83	83	83
f	5.5	5.5	5.5	5.5	5.5	5.5
g	7	7	7	7	7	7
h	142	143	159	168	168	165
i	88	88	102	102	102	102
j	5	5	5	5	5	5
PG	16	16	21	21	21	21
PG*	PG16(Blind entry to be cut out)			PG21(Blind entry to be cut out)		
Min wire size(mm)	1.5	1.5	1.5	2.5	2.5	2.5
Max wire size(mm)	4	4	4	6	6	6

Surface mounted socket

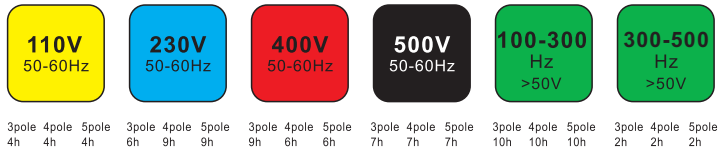
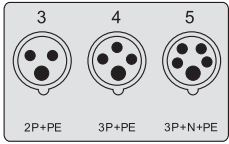
- Cable Inlet: One top (opening)
One below hole(closed)
One bottom hole(closed)
- More wiring space
- IP65 ▲▲

A	P	TYP	Yellow	Blue	Red	Black	Green	Light Green	pcs/package	g/pcs
16	3	R86024		R8602	R86029	R86027	R86020	R86022	10	226
	4	R86194		R86199	R8619	R86197	R86190	R86192	10	263
	5	R86244		R86249	R8624	R86247	R86240	R86242	10	313
32	3	R88024		R8802	R88029	R88027	R88020	R88022	10	354
	4	R88194		R88199	R8819	R88197	R88190	R88192	10	370
	5	R88244		R88249	R8824	R88247	R88240	R88242	10	387

Amp.	16			32		
Poles	3	4	5	3	4	5
a	71	71	81	81	81	81
b	83	83	101	101	101	101
c	131	132	152	161	161	158
d	88	94	101	107	107	108
e	60	60	70	70	70	70
f	33.5	33.5	47	47	47	47
g	13	13	12.5	12.5	12.5	12.5
i	5.5	5.5	5.5	5.5	5.5	5.5
k	8.5	8.5	8.5	8.5	8.5	8.5
l	23	23	23	23	23	23
m	37	37	37	33	33	33
PG	21	21	21	21	21	21
Min wire size(mm)	1.5	1.5	1.5	2.5	2.5	2.5
Max wire size(mm)	4	4	4	6	6	6

Surface mounted socket

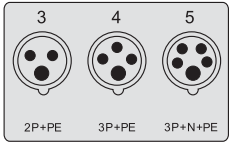
- Cable Inlet: One top (opening)
One bottom hole(closed)
- IP67 ▲▲



Surface mounted socket IP67 IEC 60309-1 IEC 60309-2
GB/T11918.1 GB/T11918.2

A	P	TYP							pcs/package	g/pcs
	3	69024		6902	69029	69027	69020	69022	5	939
	63	4	69194	69199	6919	69197	69190	69192	5	987
		5	69244	69249	6924	69247	69240	69242	5	1048
	Amp.	63								
	Poles	3	4	5						
	a	122.5	122.5	122.5						
	b	160.2	160.2	160.2						
	c	225.6	225.6	225.6						
	d	134.4	134.4	134.4						
	e	108	108	108						
	f	120	120	120						
	g	39.4	39.4	39.4						
	h	6	6	6						
	i	12	12	12						
	j	112	112	112						
	Min wire size(mm)	6	6	6						
	Max wire size(mm)	25	25	25						
<p>Surface mounted socket</p> <ul style="list-style-type: none"> ● Cable Inlet: in tail opening One bottom hole(closed) ● More wiring space ● IP67 										

A	P	TYP							pcs/package	g/pcs
	3	65024		6502	65029	65027	65020	65022	3	1583
	125	4	65194	65199	6519	65197	65190	65192	3	1701
		5	65244	65249	6524	65247	65240	65242	3	1869
	Amp.	125								
	Poles	3	4	5						
	a	136	136	136						
	b	120	120	120						
	c	152	152	152						
	d	282.7	282.7	282.7						
	e	140	140	140						
	f	51	51	51						
	g	180.5	180.5	180.5						
	h	47.6	47.6	47.6						
	j	48	48	48						
	k	12.5	12.5	12.5						
	m	158.6	158.6	158.6						
	n	7	7	7						
	p	126	126	126						
	Min wire size(mm)	25	25	25						
	Max wire size(mm)	70	70	70						
<p>Surface mounted socket</p> <ul style="list-style-type: none"> ● Cable Inlet: in tail opening One bottom hole(closed) ● More wiring space ● IP67 										



3pole 4pole 5pole 3pole 4pole 5pole 3pole 4pole 5pole 3pole 4pole 5pole 3pole 4pole 5pole 3pole 4pole 5pole
4h 4h 4h 6h 9h 9h 9h 6h 6h 7h 7h 7h 10h 10h 10h 2h 2h 2h

Panel mounted inlet IP44 IEC 60309-1 IEC 60309-2
GB/T11918.1 GB/T11918.2

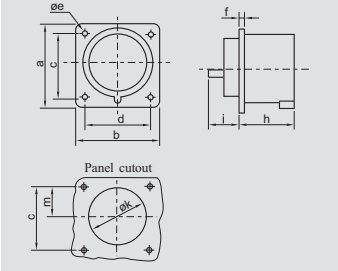
A	P	TYP							pcs/package	g/pcs
16	3	5314		531	5319	5317	5310	5312	10	85
	4	5334		5339	533	5337	5330	5332	10	100
	5	5354		5359	535	5357	5350	5352	10	120
32	3	5814		581	581900	5817	5810	5812	10	150
	4	5834		5839	583	5837	5830	5832	10	162
	5	5854		5859	585	5857	5850	5852	10	180



Amp.	16			32		
Poles	3	4	5	3	4	5
a	65	65	75	75	75	75
b	65	65	75	75	75	75
c	52	52	60	60	60	60
d	52	52	60	60	60	60
e	5.5	5.5	5.5	5.5	5.5	5.5
f	5.5	5.5	5.5	7	7	7
h	43	41.5	43	53	53	53
i	24	24	24	30	30	30
k	40	48	61	53	57	60
m	26	26	30	30	30	30
Min wire size(mm)	1.5	1.5	1.5	2.5	2.5	2.5
Max wire size(mm)	4	4	4	10	10	10

Panel mounted inlet

- Flange: 16A, 3P, 4P: 65mmX65mm
Others: 75mmX75mm
- IP44



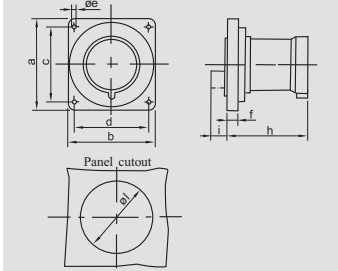
A	P	TYP							pcs/package	g/pcs
63	3	5414		541	5419	5417	5410	5412	5	540
	4	5434		5439	543	5437	5430	5432	5	605
	5	5454		5459	545	5457	5450	5452	5	649

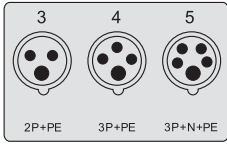


Amp.	63		
Poles	3	4	5
a	110	110	110
b	106	106	106
c	90	90	90
d	90	90	90
e	5.5	5.5	5.5
f	13	13	13
h	100	100	100
i	19	19	19
l	93	93	93
Min wire size(mm)	6	6	6
Max wire size(mm)	25	25	25

Panel mounted inlet

- Flange: 110mmX106mm
- IP44





3pole 4pole 5pole
4h 4h 4h

3pole 4pole 5pole
6h 9h 9h

3pole 4pole 5pole
9h 6h 6h

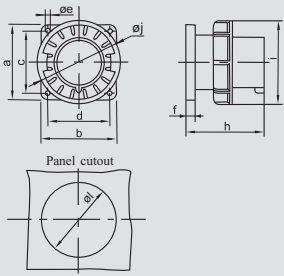
3pole 4pole 5pole
7h 7h 7h

3pole 4pole 5pole
10h 10h 10h

3pole 4pole 5pole
2h 2h 2h

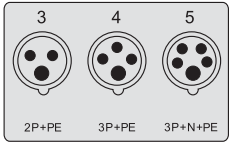
Panel mounted inlet IP67 IEC 60309-1 IEC 60309-2
GB/T11918.1 GB/T11918.2

A	P	TYP							pcs/package	g/pcs
16	3	8314		831	8319	8317	8310	8312	10	150
	4	8334		8339	833	8337	8330	8332	10	173
	5	8354		8359	835	8357	8350	8352	10	195
32	3	8814		881	881900	8817	8810	8812	10	221
	4	8834		8839	883	8837	8830	8832	10	248
	5	8854		8859	885	8857	8850	8852	10	281



Amp.	16			32		
Poles	3	4	5	3	4	5
a	85	85	85	85	85	85
b	85	85	85	85	85	85
c	69.5	69.5	69.5	69.5	69.5	69.5
d	69.5	69.5	69.5	69.5	69.5	69.5
e	5.5	5.5	5.5	5.5	5.5	5.5
f	11	11	11	11	11	11
h	70	70	70	89.5	89.5	89.5
i	70.5	78.2	87.2	94	94	101
j	70	78.2	87.4	94	94	100.8
l	32	36	47	47	47	47
Min wire size(mm)	1.5	1.5	1.5	2.5	2.5	2.5
Max wire size(mm)	4	4	4	10	10	10

Panel mounted inlet
 ● Flange: 85mmX85mm
 ● IP67



3pole 4pole 5pole
4h 4h 4h

3pole 4pole 5pole
6h 9h 9h

3pole 4pole 5pole
9h 6h 6h

3pole 4pole 5pole
7h 7h 7h

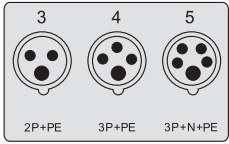
3pole 4pole 5pole
10h 10h 10h

3pole 4pole 5pole
2h 2h 2h

Panel mounted inlet IP67 IEC 60309-1 IEC 60309-2
GB/T11918.1 GB/T11918.2

A	P	TYP							pcs/package	g/pcs	
	3	5714		571	5719	5717	5710	5712	5	600	
	63	4	5734	5739	573	5737	5730	5732	5	667	
		5	5754	5759	575	5757	5750	5752	5	710	
	Amp.	63								Panel mounted inlet ● Flange: 110mmX106mm ● IP67 ▲▲	
	Poles	3	4	5							
	a	110	110	110							
	b	106	106	106							
	c	90	90	90							
	d	90	90	90							
	e	5.5	5.5	5.5							
	f	13	13	13							
	h	102	102	102							
	i	15	15	15							
	l	93	93	93							
	j	114.5	114.5	114.5							
	Min wire size(mm)	6	6	6							
Max wire size(mm)	25	25	25								

A	P	TYP							pcs/package	g/pcs	
	3	4714		471	4719	4717	4710	4712	3	888	
	125	4	4734	4739	473	4737	4730	4732	3	992	
		5	4754	4759	475	4757	4750	4752	3	1102	
	Amp.	125								Panel mounted inlet ● Flange: 120mmX120mm ● IP67 ▲▲	
	Poles	3	4	5							
	a	126	126	126							
	b	114.2	114.2	114.2							
	c	30.3	30.3	30.3							
	d	13.4	13.4	13.4							
	e	120	120	120							
	f	100	100	100							
	g	120	120	120							
	h	100	100	100							
	i	6.5	6.5	6.5							
	j	105	105	105							
	k	126	126	126							
Min wire size(mm)	25	25	25								
Max wire size(mm)	70	70	70								



3pole 4pole 5pole 3pole 4pole 5pole 3pole 4pole 5pole 3pole 4pole 5pole 3pole 4pole 5pole 3pole 4pole 5pole
4h 4h 4h 6h 9h 9h 9h 6h 6h 7h 7h 7h 10h 10h 10h 2h 2h 2h

Wall mounted inlet IP44

IEC 60309-1 IEC 60309-2
GB/T11918.1 GB/T11918.2

A	P	TYP							pcs/package	g/pcs
	3	6314		631	6319	6317	6310	6312	10	167
	4	6334		6339	633	6337	6330	6332	10	182
	5	6354		6359	635	6357	6350	6352	10	230
	3	6814		681	6819	6817	6810	6812	10	245
	4	6834		6839	683	6837	6830	6832	10	260
	5	6854		6859	685	6857	6850	6852	10	285

Amp.	16			32		
Poles	3	4	5	3	4	5
a	71	71	81	81	81	81
b	83	83	102	102	102	102
c	120	123	140	150	150	150
d	72	76	85	89	89	89
e	60	60	70	70	70	70
f	33.5	33.5	47	47	47	47
g	13	13	12.5	12.5	12.5	12.5
i	5.3	5.3	5.3	5.3	5.3	5.3
k	8.5	8.5	8.5	8.5	8.5	8.5
l	23	23	23	23	23	23
m	37	37	37	33	33	33
PG	21	21	21	21	21	21
Min wire size(mm)	1.5	1.5	1.5	2.5	2.5	2.5
Max wire size(mm)	4	4	4	10	10	10

Wall mounted inlet

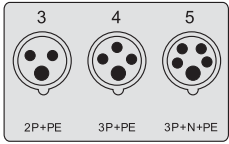
- Cable Inlet: One top (opening)
One bottom hole(closed)
- IP44

A	P	TYP							pcs/package	g/pcs
	3	8414		841	8419	8417	8410	8412	3	844
	4	8434		8439	843	8437	8430	8432	3	904
	5	8454		8459	845	8457	8450	8452	3	953

Amp.	63		
Poles	3	4	5
a	122.4	122.4	122.4
b	108	108	108
c	120.9	120.9	120.9
d	293	293	293
e	120	120	120
f	45.3	45.3	45.3
g	160	160	160
h	39.7	39.7	39.7
j	42	42	42
k	12	12	12
n	6	6	6
Min wire size(mm)	6	6	6
Max wire size(mm)	25	25	25

Surface mounted socket

- Cable Inlet: in tail opening
One bottom hole(closed)
- More wiring space
- IP44



3pole 4pole 5pole 3pole 4pole 5pole 3pole 4pole 5pole 3pole 4pole 5pole 3pole 4pole 5pole 3pole 4pole 5pole
4h 4h 4h 6h 9h 9h 9h 6h 6h 7h 7h 7h 10h 10h 10h 2h 2h 2h

Wall mounted inlet IP67 IEC 60309-1 IEC 60309-2
GB/T11918.1 GB/T11918.2

A	P	TYP							pcs/package	g/pcs
	3	8714	871	8719	8717	8710	8712	3	907	
	63	4	8734	8739	873	8737	8730	8732	3	967
		5	8754	8759	875	8757	8750	8752	3	1000
	Amp.		3	4	5					
	Poles		122.4	122.4	122.4					
	a		108	108	108					
	b		129	129	129					
	c		285.2	285.2	285.2					
	d		120	120	120					
	e		37.1	37.1	37.1					
	f		160	160	160					
	g		39.7	39.7	39.7					
	h		42	42	42					
	j		12	12	12					
	k		6	6	6					
	n		115	115	115					
	m		6	6	6					
	Min wire size(mm)		25	25	25					
	Max wire size(mm)									

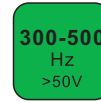
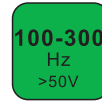
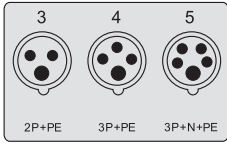
Surface mounted socket

- Cable Inlet: in tail opening
One bottom hole(closed)
- More wiring space
- IP67

A	P	TYP							pcs/package	g/pcs
	3	6514	651	6519	6517	6510	6512	3	1398	
	125	4	6534	6539	653	6537	6530	6532	3	1470
		5	6554	6559	655	6557	6550	6552	3	1607
	Amp.		3	4	5					
	Poles		136.1	136.1	136.1					
	a		120	120	120					
	b		152.1	152.1	152.1					
	c		282.5	282.5	282.5					
	d		140	140	140					
	e		51	51	51					
	f		180.5	180.5	180.5					
	g		48	48	48					
	h		48	48	48					
	j		48	48	48					
	k		12.5	12.5	12.5					
	m		145.8	145.8	145.8					
	n		7	7	7					
	p		126	126	126					
	Min wire size (mm)		25	25	25					
	Max wire size (mm)		70	70	70					

Surface mounted socket

- Cable Inlet: in tail opening
One bottom hole(closed)
- More wiring space
- IP67



3pole 4pole 5pole 3pole 4pole 5pole 3pole 4pole 5pole 3pole 4pole 5pole 3pole 4pole 5pole 3pole 4pole 5pole
4h 4h 4h 6h 9h 9h 9h 6h 6h 7h 7h 7h 10h 10h 10h 2h 2h 2h

Connector IP44 IEC 60309-1 IEC 60309-2 GB/T11918.1 GB/T11918.2

A	P	TYP							pcs/package	g/pcs
	3	R26014	R2601	R26019	R26017	R26010	R26012	10	168	
	16 4	R26184	R26189	R2618	R26187	R26180	R26182	10	197	
	5	R26234	R26239	R2623	R26237	R26230	R26232	10	228	
32	3	R28014	R2801	R28019	R28017	R28010	R28012	10	288	
	4	R28184	R28189	R2818	R28187	R28180	R28182	10	303	
	5	R28234	R28239	R2823	R28237	R28230	R28232	10	343	

Amp.	16			32		
Poles	3	4	5	3	4	5
a	59.5	67.5	75	81.8	81.8	88.6
b	157	161	163	193	193	194
c	82.7	91.7	99	97.8	97.8	106.4
Min wire size(mm ²)	1.5	1.5	1.5	2.5	2.5	2.5
Max wire size(mm ²)	4	4	4	6	6	6
Cable outer diameter range (mm)	10~14	10~14	10~14	13~19	13~19	13~19

Connector

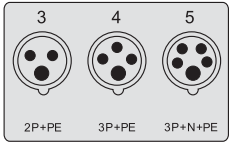
- Clamping cable fix
- IP44 ⚠

A	P	TYP							pcs/package	g/pcs
	3	R26014-C	R2601-C	R26019-C	R26017-C	R26010-C	R26012-C	10	168	
	16 4	R26184-C	R26189-C	R2618-C	R26187-C	R26180-C	R26182-C	10	197	
	5	R26234-C	R26239-C	R2623-C	R26237-C	R26230-C	R26232-C	10	228	
32	3	R28014-C	R2801-C	R28019-C	R28017-C	R28010-C	R28012-C	10	293	
	4	R28184-C	R28189-C	R2818-C	R28187-C	R28180-C	R28182-C	10	311	
	5	R28234-C	R28239-C	R2823-C	R28237-C	R28230-C	R28232-C	10	348	

Amp.	16			32		
Poles	3	4	5	3	4	5
a	59.5	67.5	75	81.8	81.8	88.6
b	157	161	163	193	193	194
c	82.7	91.7	99	97.8	97.8	106.4
Min wire size(mm ²)	1.5	1.5	1.5	2.5	2.5	2.5
Max wire size(mm ²)	4	4	4	6	6	6
Cable outer diameter range (mm)	10~14	10~14	10~14	13~19	13~19	13~19

Connector

- Clamping cable fix
- Compression nut with TPE
- IP44 ⚠



3pole 4pole 5pole 3pole 4pole 5pole 3pole 4pole 5pole 3pole 4pole 5pole 3pole 4pole 5pole 3pole 4pole 5pole
4h 4h 4h 6h 9h 9h 9h 6h 6h 7h 7h 7h 10h 10h 10h 2h 2h 2h

Connector IP44 IEC 60309-1 IEC 60309-2 GB/T11918.1 GB/T11918.2

A	P	TYP							pcs/package	g/pcs
	3	H26014	H2601	H26019	H26017	H26010	H26012	10	168	
	16 4	H26184	H26189	H2618	H26187	H26180	H26182	10	197	
	5	H26234	H26239	H2623	H26237	H26230	H26232	10	228	
32	3	H28014	H2801	H28019	H28017	H28010	H28012	10	340	
	4	H28184	H28189	H2818	H28187	H28180	H28182	10	353	
	5	H28234	H28239	H2823	H28237	H28230	H28232	10	403	

Amp.	16			32		
Poles	3	4	5	3	4	5
a	59.5	67.5	75.4	81.8	81.8	88.6
b	161	164	168	200	200	200
c	82.7	91.6	98.8	97.8	97.8	106.4
Min wire size(mm ²)	1.5	1.5	1.5	2.5	2.5	2.5
Max wire size(mm ²)	4	4	4	10	10	10
Cable outer diameter range (mm)	10~14	10~14	10~14	13~19	13~19	13~19

Connector

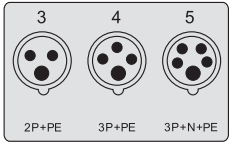
- Clamping cable fix
- IP44

A	P	TYP							pcs/package	g/pcs
	3	29014	2901	29019	29017	29010	29012	5	716	
	63 4	29184	29189	2918	29187	29180	29182	5	785	
	5	29234	29239	2923	29237	29230	29232	5	850	

Amp.	63		
Poles	3	4	5
a	108	108	108
b	271	271	271
Min wire size(mm ²)	6	6	6
Max wire size(mm ²)	25	25	25
Cable outer diameter range	20~31	20~31	20~31

Connector

- With cable clamp
- IP44



3pole 4pole 5pole
4h 4h 4h

3pole 4pole 5pole
6h 9h 9h

3pole 4pole 5pole
9h 6h 6h

3pole 4pole 5pole
7h 7h 7h

3pole 4pole 5pole
10h 10h 10h

3pole 4pole 5pole
2h 2h 2h

Connector IP67 IEC 60309-1 IEC 60309-2 GB/T11918.1 GB/T11918.2

A	P	TYP							pcs/package	g/pcs
	3	R26024	R2602	R26029	R26027	R26020	R26022	10	188	
	16	4	R26194	R26199	R2619	R26197	R26190	R26192	10	225
	5	R26244	R26249	R2624	R26247	R26240	R26242	10	256	
32	3	R28024	R2802	R28029	R28027	R28020	R28022	10	322	
	4	R28194	R28199	R2819	R28197	R28190	R28192	10	340	
	5	R28244	R28249	R2824	R28247	R28240	R28242	10	383	

Amp.	16			32		
Poles	3	4	5	3	4	5
a	71	79.5	88	94.5	94.5	101
b	78.5	88.5	94	95	95	104.5
c	163	164	167	199	199	199
Min wire size(mm ²)	1.5	1.5	1.5	2.5	2.5	2.5
Max wire size(mm ²)	4	4	4	6	6	6
Cable outer diameter range (mm)	10~14	10~14	10~14	13~19	13~19	13~19

Connector

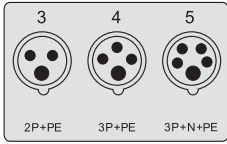
- Clamping cable fix
- IP67 ▲▲

A	P	TYP							pcs/package	g/pcs
	3	R26024-C	R2602-C	R26029-C	R26027-C	R26020-C	R26022-C	10	188	
	16	4	R26194-C	R26199-C	R2619-C	R26197-C	R26190-C	R26192-C	10	225
	5	R26244-C	R26249-C	R2624-C	R26247-C	R26240-C	R26242-C	10	256	
32	3	R28024-C	R2802-C	R28029-C	R28027-C	R28020-C	R28022-C	10	330	
	4	R28194-C	R28199-C	R2819-C	R28197-C	R28190-C	R28192-C	10	347	
	5	R28244-C	R28249-C	R2824-C	R28247-C	R28240-C	R28242-C	10	390	

Amp.	16			32		
Poles	3	4	5	3	4	5
a	71	79.5	88	95.5	95.5	101.5
b	78.5	88.5	94	100.5	100.5	104
c	163	164	167	194	194	199.5
Min wire size(mm ²)	1.5	1.5	1.5	2.5	2.5	2.5
Max wire size(mm ²)	4	4	4	6	6	6
Cable outer diameter range (mm)	10~14	10~14	10~14	13~19	13~19	13~19

Connector

- Clamping cable fix
- Compression nut with TPE
- IP67 ▲▲



3pole 4pole 5pole
4h 4h 4h

3pole 4pole 5pole
6h 9h 9h

3pole 4pole 5pole
9h 6h 6h

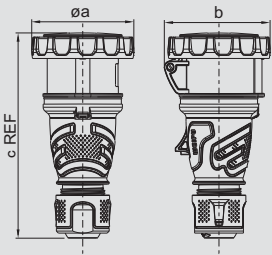
3pole 4pole 5pole
7h 7h 7h

3pole 4pole 5pole
10h 10h 10h

3pole 4pole 5pole
2h 2h 2h

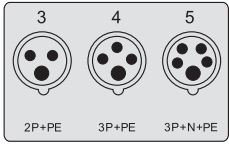
Connector IP67 IEC 60309-1 IEC 60309-2
GB/T11918.1 GB/T11918.2

A	P	TYP							pcs/package	g/pcs
16	3	H26024	H2602	H26029	H26027	H26020	H26022	10	188	
	4	H26194	H26199	H2619	H26197	H26190	H26192	10	225	
	5	H26244	H26249	H2624	H26247	H26240	H26242	10	256	
32	3	H28024	H2802	H28029	H28027	H28020	H28022	10	380	
	4	H28194	H28199	H2819	H28197	H28190	H28192	10	393	
	5	H28244	H28249	H2824	H28247	H28240	H28242	10	454	



Amp.	16			32		
Poles	3	4	5	3	4	5
a	71	79.5	88	94.5	94.5	101
b	78.5	88.2	94.2	97	97	104
c	166	166	172	200	200	200
Min wire size(mm ²)	1.5	1.5	1.5	2.5	2.5	2.5
Max wire size(mm ²)	4	4	4	10	10	10
Cable outer diameter range (mm)	10~14	10~14	10~14	13~19	13~19	13~19

Connector
 ● Clamping cable fix
 ● IP67 ▲▲



3pole 4pole 5pole
4h 4h 4h

3pole 4pole 5pole
6h 9h 9h

3pole 4pole 5pole
9h 6h 6h

3pole 4pole 5pole
7h 7h 7h

3pole 4pole 5pole
10h 10h 10h

3pole 4pole 5pole
2h 2h 2h

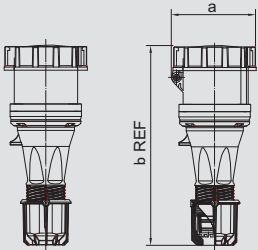
Connector IP67

IEC 60309-1 IEC 60309-2
GB/T11918.1 GB/T11918.2

A P TYP pcs/package g/pcs



A	P	TYP							pcs/package	g/pcs
	3	29024	2902	29029	29027	29020	29022	5	760	
63	4	29194	29199	2919	29197	29190	29192	5	830	
	5	29244	29249	2924	29247	29240	29242	5	896	



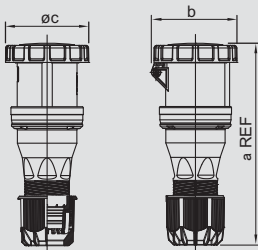
Amp.	63		
Poles	3	4	5
a	113.5	113.5	113.5
b	272	272	272
Min wire size(mm ²)	6	6	6
Max wire size(mm ²)	25	25	25
Cable outer diameter range	20~31	20~31	20~31

Connector
● Clamping cable fix
● IP67 ▲▲

A P TYP pcs/package g/pcs

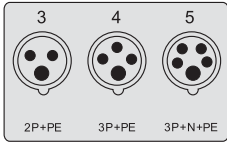


A	P	TYP							pcs/package	g/pcs
	3	27024	2702	27029	27027	27020	27022	3	1237	
125	4	27194	27199	2719	27197	27190	27192	3	1371	
	5	27244	27249	2724	27247	27240	27242	3	1521	



Amp.	125		
Poles	3	4	5
a	300	300	300
b	132	132	132
c	126	126	126
Min wire size(mm ²)	25	25	25
Max wire size(mm ²)	70	70	70
Cable outer diameter range	30~47	30~47	30~47

Connector
● Clamping cable fix
● IP67 ▲▲



3pole 4pole 5pole
4h 4h 4h

3pole 4pole 5pole
6h 9h 9h

3pole 4pole 5pole
9h 6h 6h

3pole 4pole 5pole
7h 7h 7h

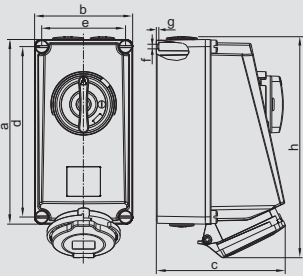
3pole 4pole 5pole
10h 10h 10h

3pole 4pole 5pole
2h 2h 2h

Socket with mechanical interlock IP44

IEC 60309-1 IEC 60309-2
GB/T11918.1 GB/T11918.2

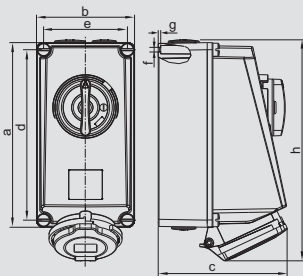
A	P	TYP							pcs/package	g/pcs
16	3	96014		9601	96019	96017	96010	96012	3	160
	4	96184		96189	9618	96187	96180	96182	3	185
	5	96234		96239	9623	96237	96230	96232	3	217
32	3	98014		9801	98019	98017	98010	98012	3	269
	4	98184		98189	9818	98187	98180	98182	3	281
	5	98234		98239	9823	98237	98230	98232	3	328



Amp.	16			32		
Poles	3	4	5	3	4	5
a	225	225	225	225	225	225
b	119	119	119	119	119	119
c	157	157	159	156	156	157
d	208	208	208	208	208	208
e	102	102	102	102	102	102
f	6	6	6	6	6	6
g	3	3	3	3	3	3
h	253	259	260	270	270	271
Min wire size(mm)	1.5	1.5	1.5	2.5	2.5	2.5
Max wire size(mm)	4	4	4	10	10	10

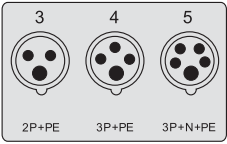
- Surface mounted socket**
- Cable Inlet: in tail opening
One bottom hole(closed)
 - More wiring space
 - IP44

A	P	TYP							pcs/package	g/pcs
63	3	99014		9901	99019	99017	99010	99012	3	2219
	4	99184		99189	9918	99187	99180	99182	3	2280
	5	99234		99239	9923	99237	99230	99232	3	2389



Amp.	63		
Poles	3	4	5
a	260	260	260
b	160	160	160
c	189	189	189
d	240	240	240
e	140	140	140
f	6	6	6
g	7	7	7
h	311	311	311
Min wire size(mm)	6	6	6
Max wire size(mm)	25	25	25

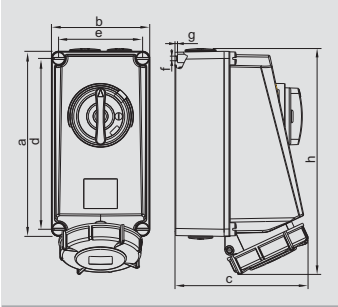
- Surface mounted socket**
- Cable Inlet: in tail opening
One bottom hole(closed)
 - More wiring space
 - IP44



3pole 4pole 5pole 3pole 4pole 5pole 3pole 4pole 5pole 3pole 4pole 5pole 3pole 4pole 5pole 3pole 4pole 5pole
4h 4h 4h 6h 9h 9h 9h 6h 6h 7h 7h 7h 10h 10h 10h 2h 2h 2h

Socket with mechanical interlock IP67 IEC 60309-1 IEC 60309-2
GB/T11918.1 GB/T11918.2

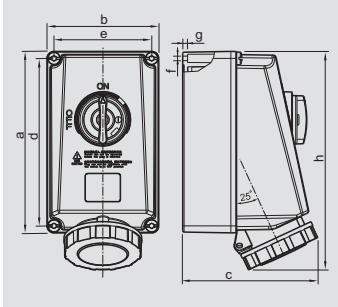
A	P	TYP	Yellow	Blue	Red	Black	Green	Light Green	pcs/package	g/pcs
16	3	96024		9602	96029	96027	96020	96022	3	160
	4	96194		96199	9619	96197	96190	96192	3	185
	5	96244		96249	9624	96247	96240	96242	3	217
32	3	98024		9802	98019	98027	98020	98022	3	269
	4	98194		98199	9819	98197	98190	98192	3	281
	5	98244		98249	9824	98247	98240	98242	3	328



Amp.	16			32		
Poles	3	4	5	3	4	5
a	225	225	225	225	225	225
b	119	119	119	119	119	119
c	157	158	162	161	161	162
d	208	208	208	208	208	208
e	102	102	102	102	102	102
f	6	6	6	6	6	6
g	3	3	3	3	3	3
h	260	269	274	274	274	275
Min wire size(mm)	1.5	1.5	1.5	2.5	2.5	2.5
Max wire size(mm)	4	4	4	10	10	10

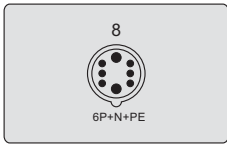
Surface mounted socket
 ● Cable Inlet: in tail opening
 One bottom hole(closed)
 ● More wiring space
 ● IP67 ▲▲

A	P	TYP	Yellow	Blue	Red	Black	Green	Light Green	pcs/package	g/pcs
63	3	99024		9902	99029	99027	99020	99022	3	2153
	4	99194		99199	9919	99197	99190	99192	3	2163
	5	99244		99249	9924	99247	99240	99242	3	2173



Amp.	63		
Poles	3	4	5
a	260	260	260
b	160	160	160
c	189	189	189
d	240	240	240
e	140	140	140
f	6	6	6
g	7	7	7
h	311	311	311
Min wire size (mm)	6	6	6
Max wire size (mm)	25	25	25

Surface mounted socket
 ● Cable Inlet: in tail opening
 One bottom hole(closed)
 ● More wiring space
 ● IP67 ▲▲



380V-415V~
50-60Hz

Amps

Poles

8 poles
6h

Pack unit

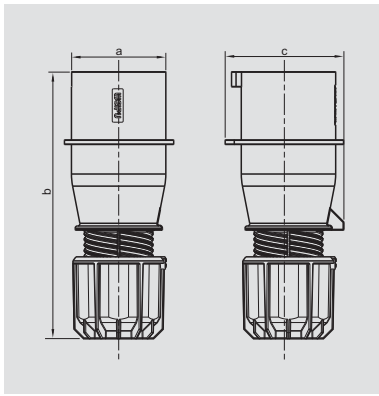
Net weight

16A 8-pins Series IP44

A **P** **TYP** pcs/package g/pcs



16	8(6P+N+PE)	85118	10	305
----	------------	-------	----	-----



Amp.	16
Poles	8
a	64
b	180
c	79
Min wire size(mm ²)	1.5
Max wire size(mm ²)	4
Min wire size(mm ²)	2.5
Max wire size(mm ²)	10
Cable outer diameter range	ø10~ø18

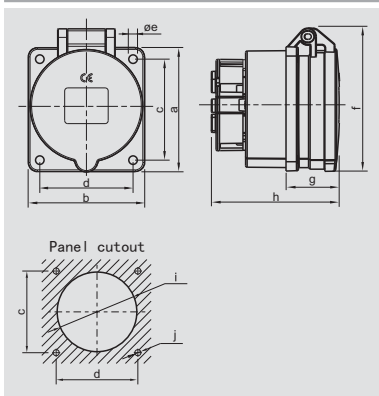
Plug

- With cable clamping plates
- IP rating: IP44 ⚠

A **P** **TYP** pcs/package g/pcs



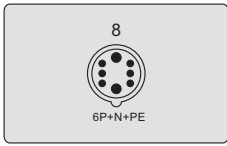
16	8(6P+N+PE)	85128	10	205
----	------------	-------	----	-----



Amp.	16
Poles	8
a	80
b	75
c	65
d	60
e	5.5
f	92
g	35
h	83
i	72
j	4.5
Min wire size(mm ²)	1.5
Max wire size(mm ²)	4
Min wire size(mm ²)	2.5
Max wire size(mm ²)	10

Socket

- Panel mounted socket
- Flange: 80mmX75mm
- IP rating: IP44 ⚠



380V-415V~
50-60Hz

Amps

Poles

8 poles
6h

Pack unit

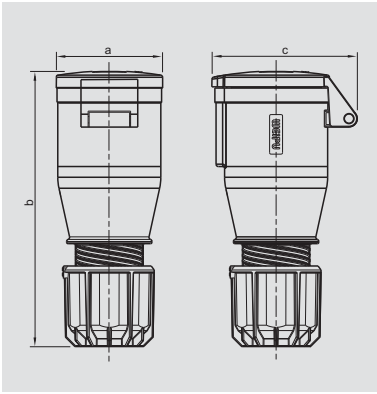
Net weight

16A 8-pins Series IP44

A	P	TYP	pcs/package	g/pcs
---	---	-----	-------------	-------



16	8(6P+N+PE)	85138	10	355
----	------------	-------	----	-----



Amp.	16
Poles	8
a	73
b	189
c	98
Min wire size(mm ²)	1.5
Max wire size(mm ²)	4
Min wire size (mm ²)	2.5
Max wire size (mm ²)	10
Cable outer diameter range	ø10~ø18

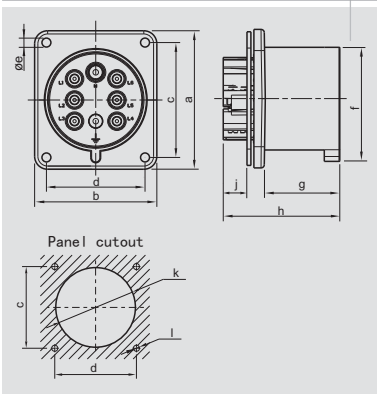
Connector

- With cable clamping plates
- IP rating: IP44 ⚠

A	P	TYP	pcs/package	g/pcs
---	---	-----	-------------	-------



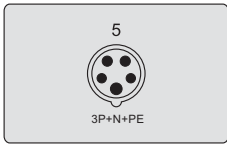
16	8(6P+N+PE)	85148	10	235
----	------------	-------	----	-----



Amp.	16
Poles	8
a	85
b	75
c	70.5
d	60.5
e	5.5
f	70
g	46
h	72
k	65
l	4.5
Min wire size(mm ²)	1.5
Max wire size(mm ²)	4
Min wire size(mm ²)	2.5
Max wire size(mm ²)	10

Inlet

- Panel mounted inlet
- Flange: 85mmX75mm
- IP rating: IP44 ⚠



400V
50-60Hz

Amps

Poles

5 poles
6h

Pack unit

Net weight

200A Series IP67

IEC 60309-1 IEC 60309-2
GB/T11918.1

A

P

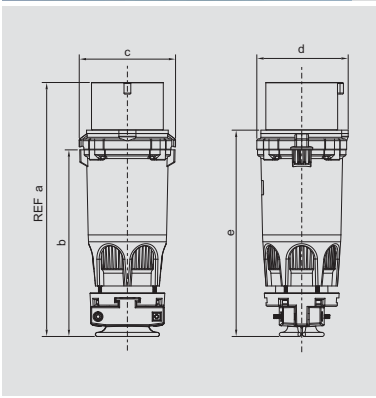
TYP

pcs/package

g/pcs



200	5	752156	1	2991
-----	---	--------	---	------



Amp.	200
Poles	5
a	373
b	274
c	141.5
d	134.5
e	303
Min wire size(mm)	70
Max wire size(mm)	150
Cable outer diameter range	ø33~ø56

Plug

- With cable clamping plates
- IP rating: IP67 ☼☼

A

P

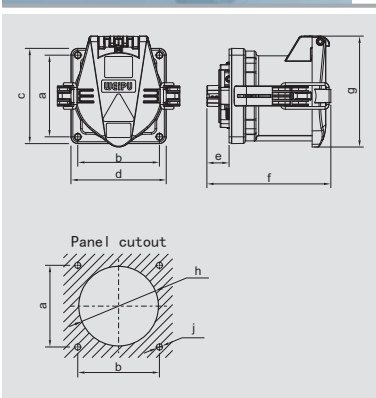
TYP

pcs/package

g/pcs



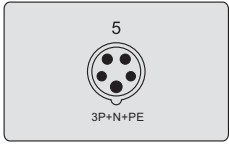
200	5	752256	1	3278
-----	---	--------	---	------



Amp.	200
Poles	5
a	120
b	120
c	140
d	140
e	32.5
f	182
g	163
h	Ø117
j	Ø9
Min wire size(mm)	70
Max wire size(mm)	150

Socket

- IP rating: IP67 ☼☼
- Flange: 140mmX140mm



Amps

Poles

400V
50-60Hz

5 poles
6h

Pack unit

Net weight

200A Series IP67

IEC 60309-1 IEC 60309-2
GB/T11918.1

A

P

TYP

pcs/package

g/pcs



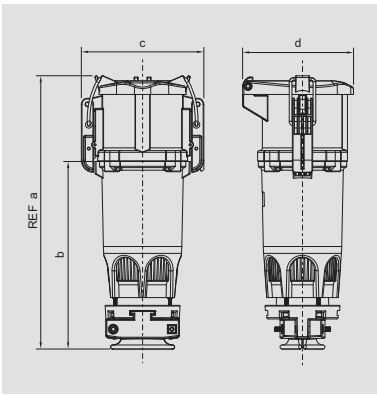
200

5

752356

1

3651



Amp.	200
Poles	5
a	401.5
b	275.5
c	180
d	163
Min wire size (mm)	70
Max wire size (mm)	150
Cable outer diameter range	ø33~ø56

Connector

- With cable clamping plates
- IP rating: IP67

A

P

TYP

pcs/package

g/pcs



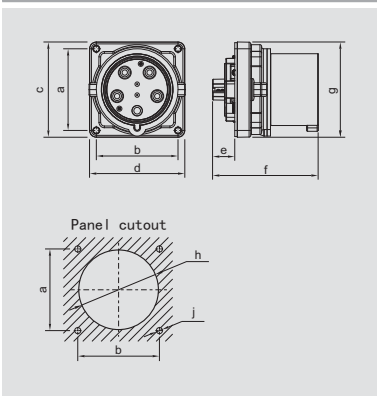
200

5

752456

1

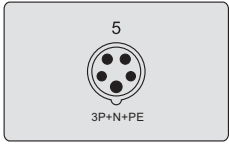
2426



Amp.	200
Poles	5
a	120
b	120
c	140
d	140
e	32.5
f	155
g	140
h	Ø117
j	Ø9
Min wire size(mm)	70
Max wire size(mm)	150

Inlet

- IP rating: IP67
- Flange: 140mmX140mm



415V
50-60Hz

Amps

Poles

5 poles
6h

Pack unit

Net weight

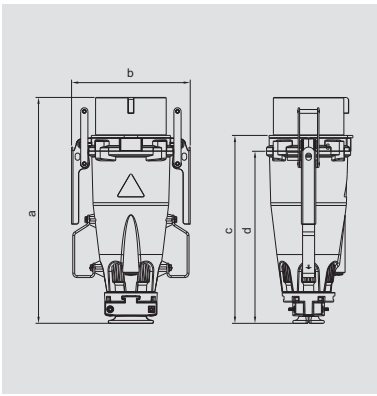
400A Series IP67

IEC 60309-1 IEC 60309-2
GB/T11918.1

A **P** **TYP** pcs/package g/pcs



400	4	754146	1	8555
400	5	754156	1	9176



Amp.	400
Poles	4/5
a	470.2
b	247
c	391.2
d	358.2
Min wire size(mm)	150mm ²
Max wire size(mm)	240mm ²
Cable outer diameter range	ø33~ø56

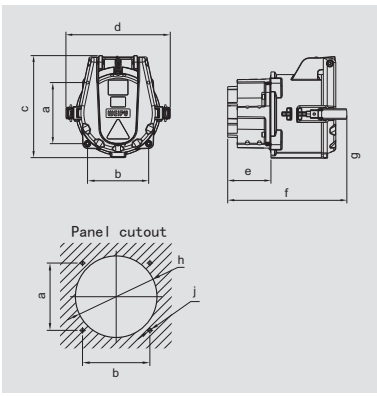
Plug

- With cable clamping plates
- IP rating: IP67 ☼☼

A **P** **TYP** pcs/package g/pcs



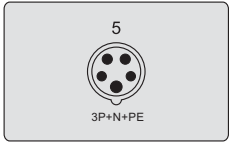
400	4	754246	1	5514
400	5	754256	1	6092



Amp.	400
Poles	4/5
a	127.2
b	127.2
c	212.4
d	217.2
e	90
f	248
h	ø154
j	ø7
Min wire size(mm)	185mm ²
Max wire size(mm)	300mm ²
Cable outer diameter range	ø33~ø56

Socket

- IP rating: IP67 ☼☼
- Flange:127.2mmX127.2mm



415V
50-60Hz

Amps

Poles

5 poles
6h

Pack unit

Net weight

400A Series IP67

IEC 60309-1 IEC 60309-2
GB/T11918.1

A

P

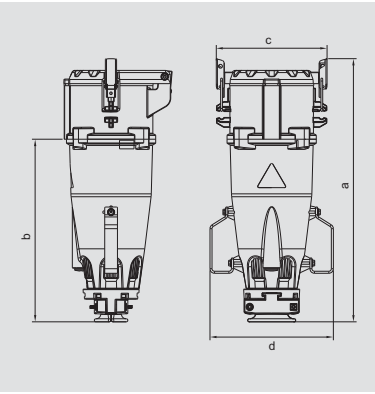
TYP

pcs/package

g/pcs



400	4	754346	1	9655
400	5	754356	1	10233



Amp.	400
Poles	4/5
a	516.2
b	358.2
c	217.3
d	242
Min wire size(mm)	150mm ²
Max wire size(mm)	240mm ²
Cable outer diameter range	ø33~ø56

Connector

- With cable clamping plates
- IP rating: IP67▲▲

A

P

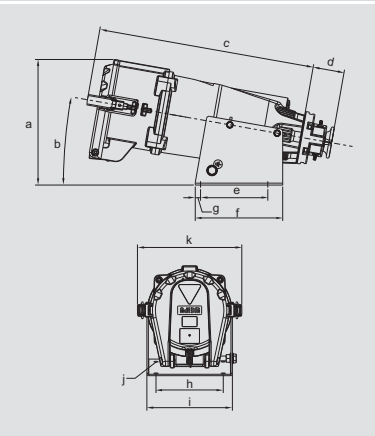
TYP

pcs/package

g/pcs



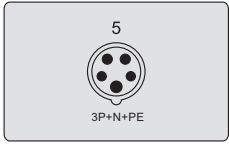
400	4	754546	1	10500
400	5	754556	1	11100



Amp.	400
Poles	4/5
a	261.4
b	10
c	451
d	65.2
e	140
f	182
g	11
h	140
j	178
k	217.2
Min wire size(mm)	150mm ²
Max wire size(mm)	240mm ²
Cable outer diameter range	ø33~ø56

Plug

- With cable clamping plates
- IP rating: IP67 ▲▲



Amps

Poles

415V
50-60Hz

5 poles
6h

Pack unit

Net weight

400A Series IP67

IEC 60309-1 IEC 60309-2
GB/T11918.1

A

P

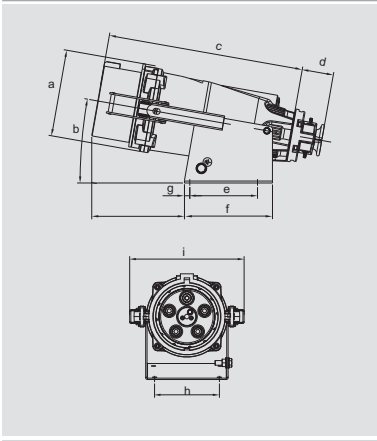
TYP

pcs/package

g/pcs



400	4	754646	1	10030
400	5	754656	1	10650



Amp.	400
Poles	4/5
a	179.7
b	10
c	405
d	65.2
e	140
f	182
g	11
h	140
i	247
Min wire size(mm ²)	150mm ²
Max wire size(mm ²)	240mm ²
Cable outer diameter range	ø33~ø56

Plug

- With cable clamping plates
- IP rating: IP67

A

P

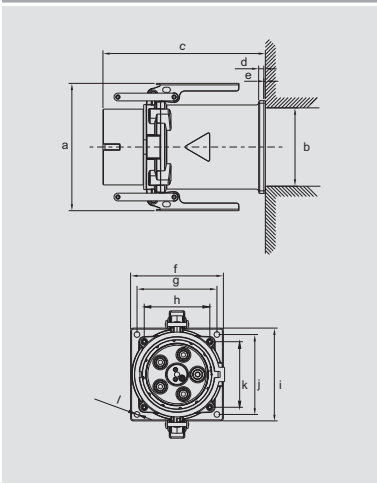
TYP

pcs/package

g/pcs



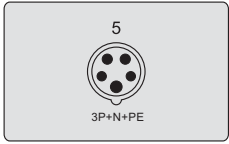
400	4	754446	1	7094
400	5	754456	1	7715



Amp.	400
Poles	4/5
a	247
b	ø130
c	315
d	10
e	3
f	180
g	155
h	127.2
i	180
j	155
k	127.2
l	4-ø11
Min wire size(mm ²)	185mm ²
Max wire size(mm ²)	300mm ²
Cable outer diameter range	ø33~ø56

Socket

- IP rating: IP67
- Flange: 155mmX155mm



Amps

Poles

415V
50-60Hz

5 poles
6h

Pack unit

Net weight

400A Series IP67

IEC 60309-1 IEC 60309-2
GB/T11918.1

A

P

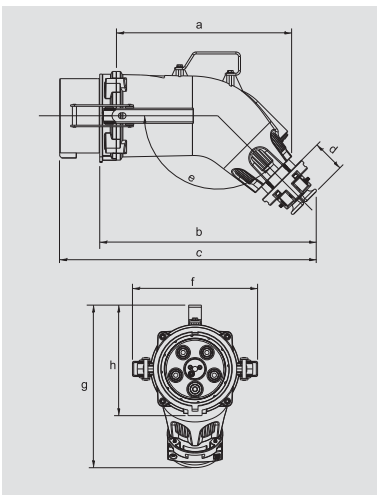
TYP

pcs/package

g/pcs



400	4	754746	1	8700
400	5	754756	1	9300


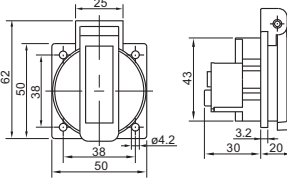


Amp.	400
Poles	4/5
a	345.9
b	427.7
c	506.8
d	64.2
e	135°
f	247
g	321.1
h	218.3
Min wire size(mm ²)	150mm ²
Max wire size(mm ²)	240mm ²
Cable outer diameter range	ø33~ø56

Plug

- With cable clamping plates
- IP rating: IP67


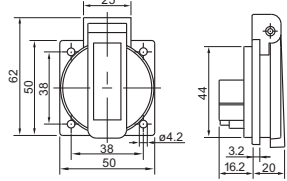
Civil Socket IP44

Amp.	TYP	Colour	Pcs/package	Weight(g/pcs)
16A	1601	Blue	20	50

Socket


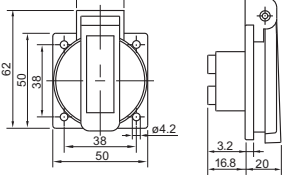
- 2 Pin with protective pulg
- IP44 ⚠

Amp.	TYP	Colour	Pcs/package	Weight(g/pcs)
10A	1606	Blue	20	45

2 Pin single phase socket


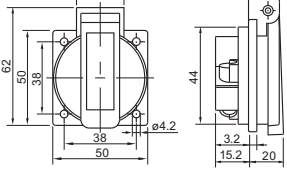
- IP44 ⚠

Amp.	TYP	Colour	Pcs/package	Weight(g/pcs)
10A	1607	Blue	20	35

T Socket


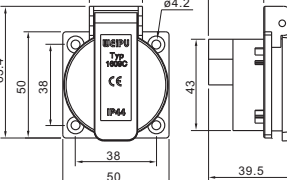
- IP44 ⚠

Amp.	TYP	Colour	Pcs/package	Weight(g/pcs)
16A	1608	Blue	20	50

3 Pin single phase socket

- IP44 ⚠


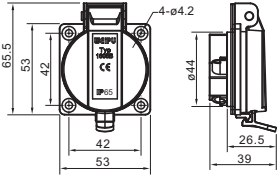




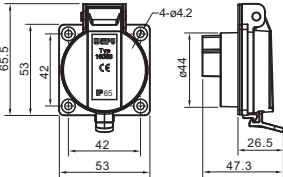
Amp.	TYP	Colour	Pcs/package	Weight(g/pcs)
10A	1609C	Blue	20	60


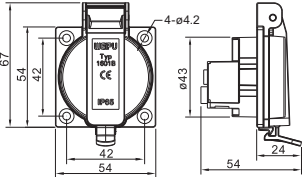
Multi-functional C


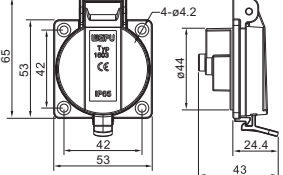
- IP44 ⚠


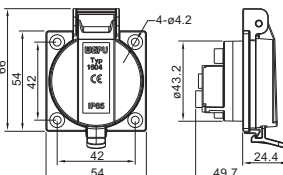
Civil Socket IP65

		Amp.	TYP	Colour	Pcs/package	Weight(g/pcs)
		16A	1608B	Blue	20	71.2
		3 Pin single phase socket B <ul style="list-style-type: none"> • IP65 				

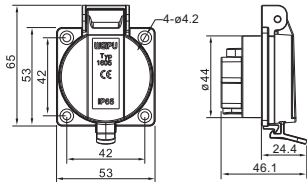
		Amp.	TYP	Colour	Pcs/package	Weight(g/pcs)
		10A	1609B	Blue	20	75
		Multi-functional socket B <ul style="list-style-type: none"> • IP65 				

		Amp.	TYP	Colour	Pcs/package	Weight(g/pcs)
		16A	1601B	Blue	20	60.24
		Socket(DIN) <ul style="list-style-type: none"> • IP65 				

		Amp.	TYP	Colour	Pcs/package	Weight(g/pcs)
		13A	1603	Blue	20	61.65
		Socket(EN) <ul style="list-style-type: none"> • IP65 				

		Amp.	TYP	Colour	Pcs/package	Weight(g/pcs)
		16A	1604	Blue	20	64.63
		Socket(NF) <ul style="list-style-type: none"> • IP65 				

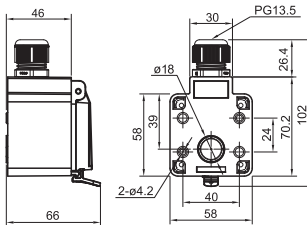
Civil Socket IP65
Wall mounted socket IP65



Amp.	TYP	Colour	Pcs/package	Weight(g/pcs)
15A	1605	Blue	20	67.42

Socket(ASTM)

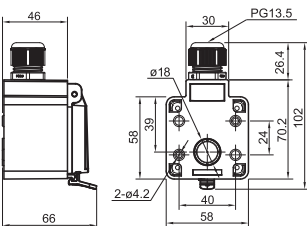
- IP65



Amp.	TYP	Colour	Pcs/package	Weight(g/pcs)
16A	1618B	Blue	10	136

**Surface mounted
3 pins single phase socket B**

- With self-covering and cable gland
- IP65

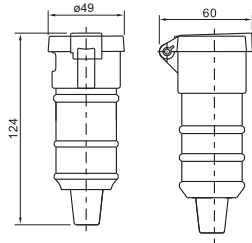


Amp.	TYP	Colour	Pcs/package	Weight(g/pcs)
10A	1619B	Blue	10	136

**Surface mounted
multi-functional socket B**

- 2 Pin with protective plug
- IP65

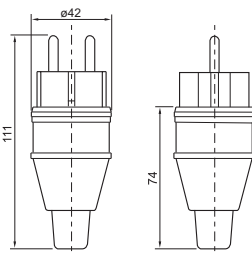
Connector IP44
Plug IP44



Amp.	TYP	Colour	Pcs/package	Weight(g/pcs)
16A	1602	Blue	10	95

Connector

- With self-covering and cable gland
- IP44 ⚠



Amp.	TYP	Colour	Pcs/package	Weight(g/pcs)
16A	131	Blue	20	72


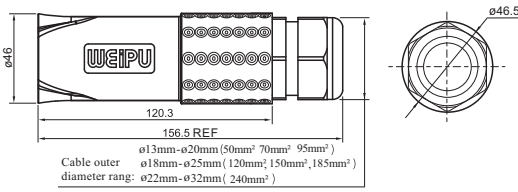





Plug


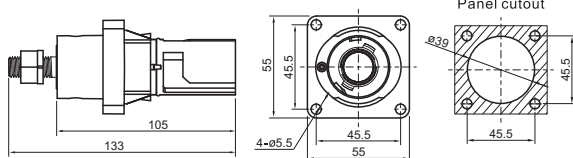





- 2 Pin with protective plug
- IP44 ⚠


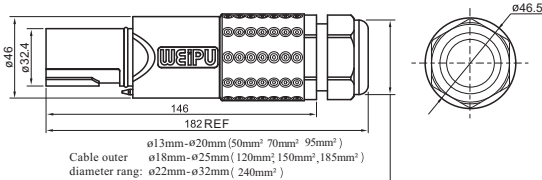





WH400A series IP67


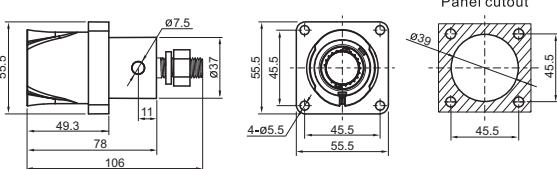





Material and spec

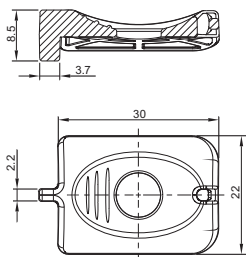
Shell	PA6, UL94 V-0	Insulation resistance (MΩ)	≥ 5000 MΩ
Insert material	PA6, UL94 V-0	Test voltage (AC.V) 1 min	4500
Contact material	Brass with silver plating	Rated current (A)	400
Termination	Screw: 50mm ² , 70mm ² , 95mm ² , 120mm ² , 150mm ² Crimp: 185mm ² , 240mm ²	Rated voltage (AC.V)	1000
Mating cycle	500	Wire size (mm ²)	50、70、95、120、150、185、240
Temperature range	-25℃~+85℃		

		Phase sequence	Part number	Colour
	<p>Male-contact plug</p> 	L1	WH400A-TJ-L1 - *	
		L2	WH400A-TJ-L2 - *	
		L3	WH400A-TJ-L3 - *	
		N	WH400A-TJ- N - *	
		PE	WH400A-TJ-PE - *	
		Notes: "*" is wire size, For example, for 50mm ² and L1, the model number is WH400A-TJ-L1-50.		

	<p>Female-contact socket</p> 	L1	WH400A-ZK-L1 - *	
		L2	WH400A-ZK-L2 - *	
		L3	WH400A-ZK-L3 - *	
		N	WH400A-ZK- N - *	
		PE	WH400A-ZK-PE - *	
		Notes: "*" is thread size for installation, available in M10、M12、M14、M16, the model number is WH400A-ZK-L1-M10.		

	<p>Female-contact plug</p> 	L1	WH400A-TK-L1 - *	
		L2	WH400A-TK-L2 - *	
		L3	WH400A-TK-L3 - *	
		N	WH400A-TK- N - *	
		PE	WH400A-TK-PE - *	
		Notes: "*" is wire size, For example, for 50mm ² and L1, the model number is WH400A-TK-L1-50.		

	<p>Male-contact socket</p> 	L1	WH400A-ZJ-L1 - *	
		L2	WH400A-ZJ-L2 - *	
		L3	WH400A-ZJ-L3 - *	
		N	WH400A-ZJ- N - *	
		PE	WH400A-ZJ-PE - *	
		Notes: "*" is thread size for installation, available in M10、M12、M14、M16, the model number is WH400A-ZJ-L1-M10.		



WH400-TCK	
Part number	WH400-TCK
Material	Zinc alloy with chrome plating

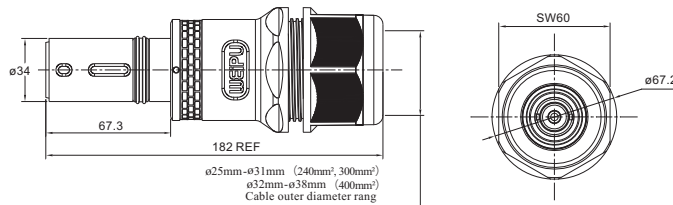
WH630A series IP67

Material and spec

Shell	PA66+GF,UL94 V-0	Insulation resistance (MΩ)	≥5000MΩ
Insert material	PA66+GF,UL94 V-0	Test voltage (AC.V) 1 min	6600
Contact material	Brass with silver plating	Rated current (A)	630
Termination	Crimp	Rated voltage (AC.V)	1000
Mating cycle	500	Wire size (mm ²)	240、300、400
Temperature range	-40~+85℃		



Male-contact plug

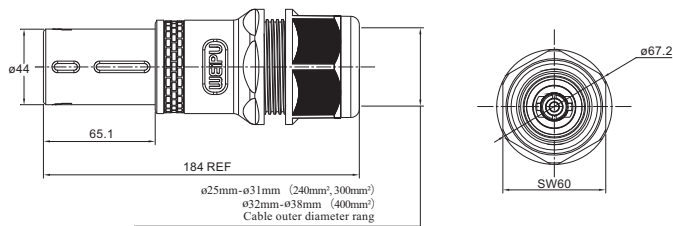


Part number	Colour
WH630A-TJ-L1 -*	Red
WH630A-TJ-L2 -*	Black
WH630A-TJ-L3 -*	Yellow
WH630A-TJ- N -*	Blue
WH630A-TJ-PE -*	Green

Notes: "*" is wire size, For example, for 400mm², the model number is WH630A-TJ-L1-400.



Female-contact connector

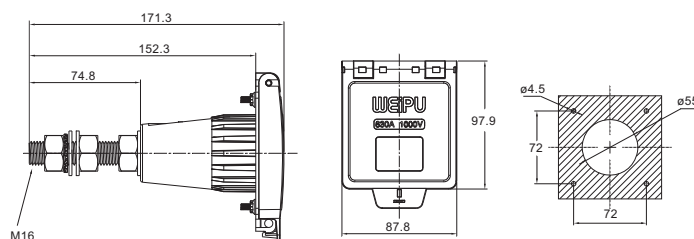


WH630A-TK-L1 -*	Red
WH630A-TK-L2 -*	Black
WH630A-TK-L3 -*	Yellow
WH630A-TK- N -*	Blue
WH630A-TK-PE -*	Green

Notes: "*" is wire size, For example, for 400mm², the model number is WH630A-TK-L2-400.



Female-contact socket


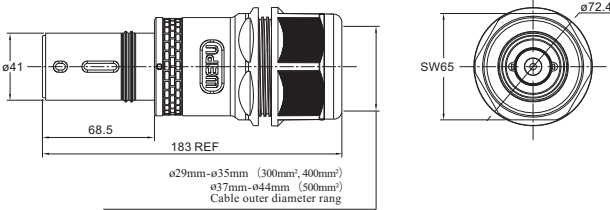








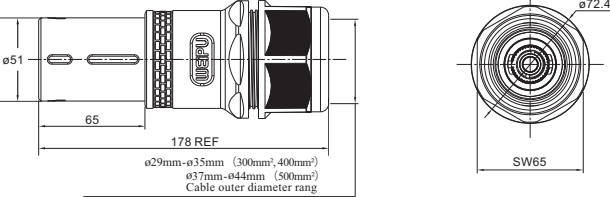





WH630A-ZK-L1 -M16	Red
WH630A-ZK-L2 -M16	Black
WH630A-ZK-L3 -M16	Yellow
WH630A-ZK- N-M16	Blue
WH630A-ZK-PE-M16	Green


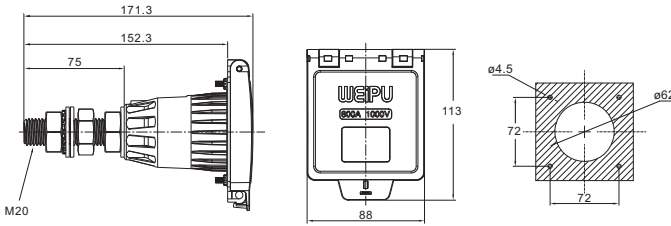





WH800A series IP67

Material and spec

Shell	PA66+GF,UL94 V-0	Insulation resistance (MΩ)	≥5000MΩ
Insert material	PA66+GF,UL94 V-0	Test voltage (AC.V) 1 min	6600
Contact material	Brass with silver plating	Rated current (A)	800
Termination	Crimp	Rated voltage (AC.V)	1000
Mating cycle	500	Wire size (mm ²)	300、400、500
Temperature range	-40~+85℃		

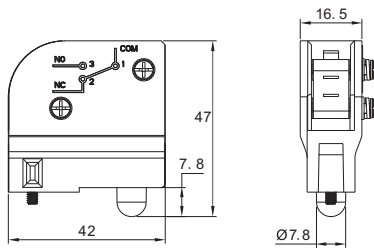
	Part number	Colour
 <p>Male-contact plug</p>  <p> ø41 68.5 183 REF ø29mm-ø35mm (300mm², 400mm²) ø37mm-ø44mm (500mm²) Cable outer diameter rang </p> <p> ø72.4 SW65 </p> <p>Notes: "*" is wire size, For example, for 500mm², the model number is WH800A-TJ-L3-500.</p>	WH800A-TJ-L1-*	
	WH800A-TJ-L2-*	
	WH800A-TJ-L3-*	
	WH800A-TJ-E -*	
	WH800A-TJ-PE-*	

 <p>Female-contact connector</p>  <p> ø51 65 178 REF ø29mm-ø35mm (300mm², 400mm²) ø37mm-ø44mm (500mm²) Cable outer diameter rang </p> <p> ø72.4 SW65 </p> <p>Notes: "*" is wire size, For example, for 500mm², the model number is WH800A-TK-L3-500.</p>	WH800A-TK-L1-*	
	WH800A-TK-L2-*	
	WH800A-TK-L3-*	
	WH800A-TK-N -*	
	WH800A-TK-PE-*	

 <p>Female-contact socket</p>  <p> 171.3 152.3 75 M20 113 88 ø4.5 ø62 72 72 </p>	WH800A-ZK-L1-M20	
	WH800A-ZK-L5-M20	
	WH800A-ZK-L3-M20	
	WH800A-ZK-N -M20	
	WH800A-ZK-PE-M20	

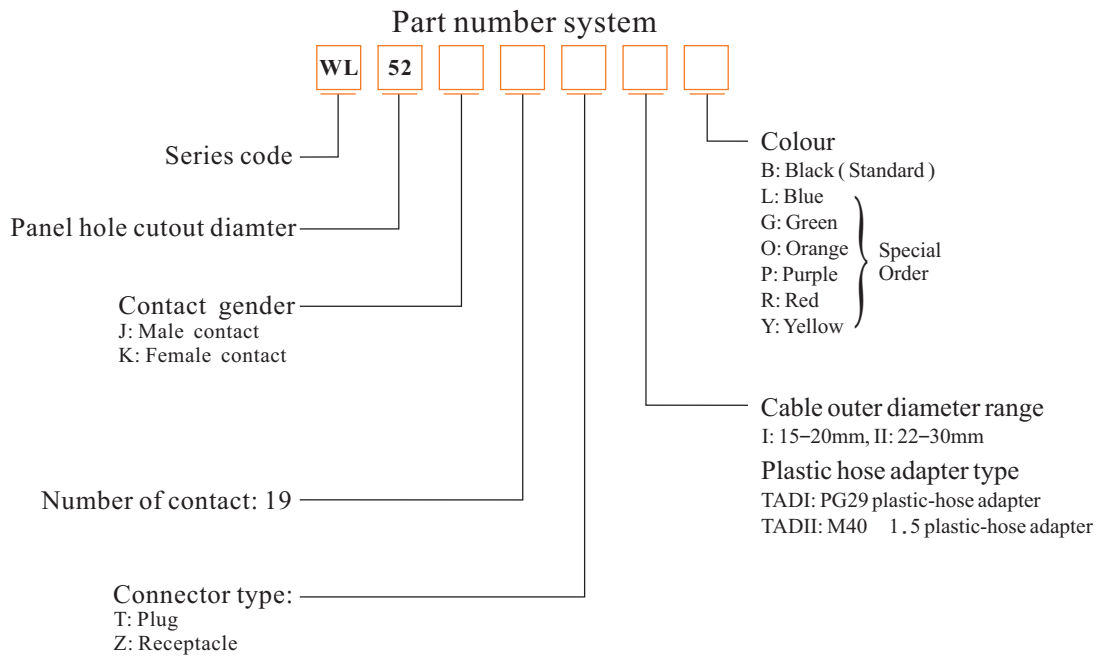
WH630A WH800A

IP67



WDKG	
Part number	WDKG
Material	(GNBER) RV-16-1C25)

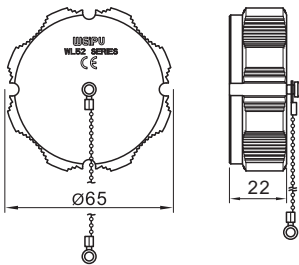
IP66/67

● WL52 Series

Material and spec

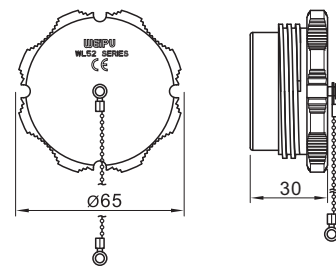
Coupling	Threaded
Shell	Anodized aluminium
Insert material	PPS, fire resistance: V-0, max temperature 260°C
Contact material	Brass with gold plating
IP rating	IP66/67 (mated)
Termination	Solder
Mating cycle	500
Temperature range	-40°C ~ +85°C
Insulation resistance	2000 MΩ



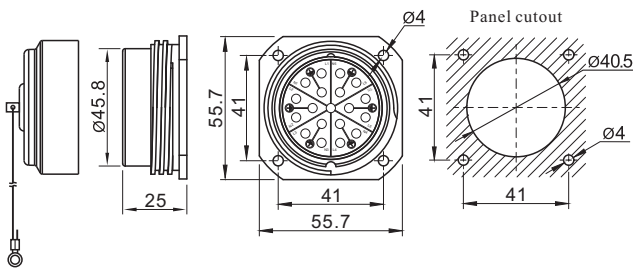
● **WL52-GZK IP67**
Aluminium cap for female-contact connector



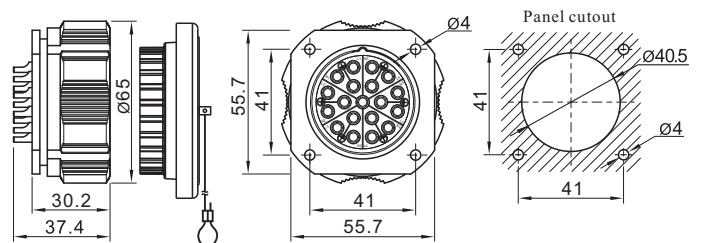
● **WL52-GZJ IP67**
Aluminium cap for male-contact connector



● **WL52K19Z IP67**
Square flange female contact receptacle



● **WL52J19Z IP67**
Square flange male contact receptacle

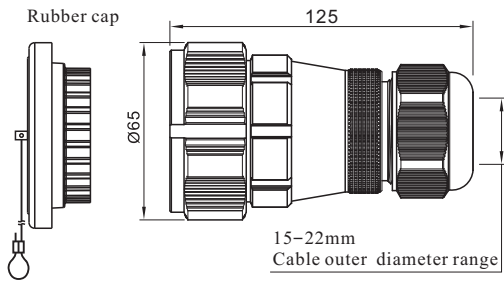


Solder contact spec

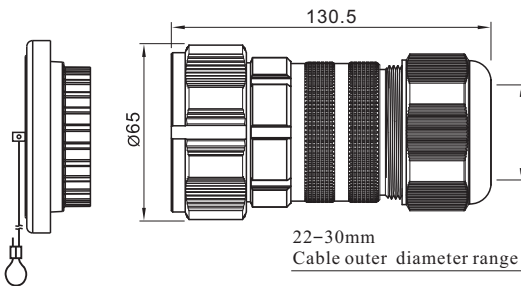
Number of contact	19
Male contact face view	
Rated current (A)	25
Contact diameter	Ø3
Rated voltage	700 (DC.V), 500 (AC.V)
Test voltage(AC.V) 1 min	2500
Contact resistance (mΩ)	1
Wire size (mm ² /AWG)	≤6/9



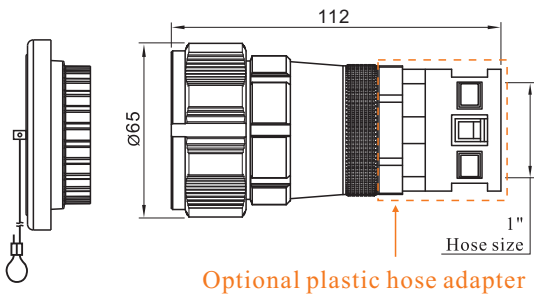
- Male-contact plug with clamping-nut: WL52J19T IP67



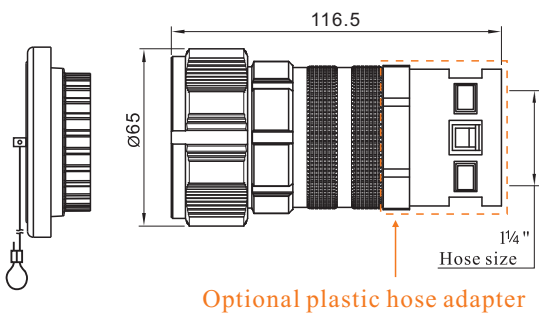
- Male-contact plug with clamping-nut 2: WL52J19TII IP67



- Male-contact plug for PG29 Plastic hose adapter: WL52J19TADI IP66

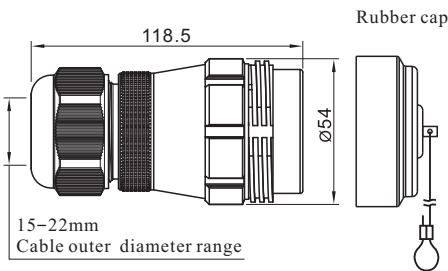


- Male-contact plug for M40 × 1.5 plastic hose adapter: WL52J19TAD II IP66

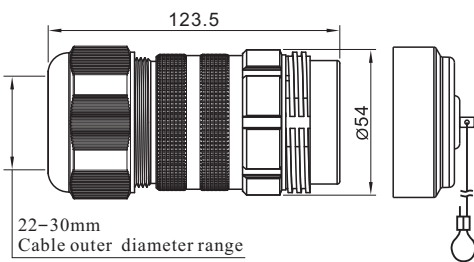




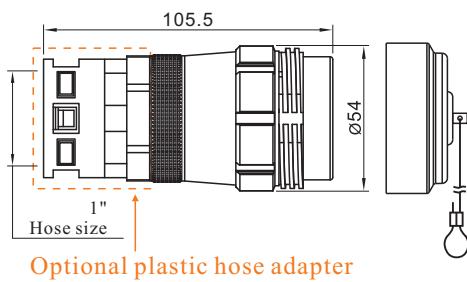
- Female-contact connector with clamping-nut: WL52K19T IP67



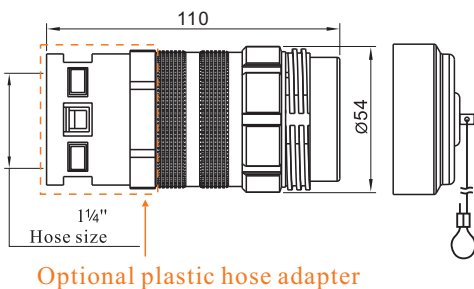
- Female-contact connector with clamping-nut 2: WL52K19TII IP67



- Female-contact connector for PG29 Plastic hose adapter: WL52K19TAD I IP66

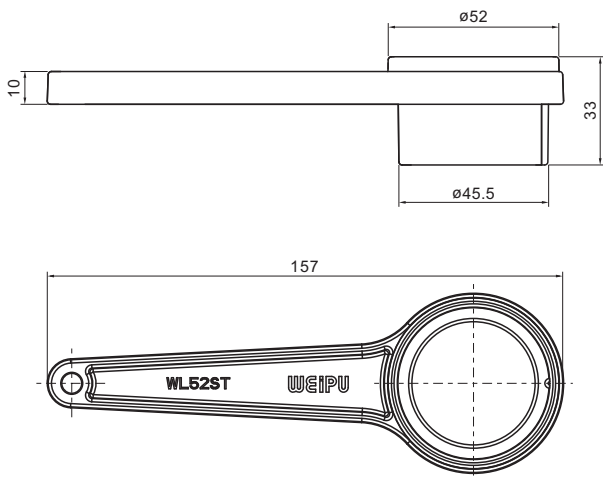


- Female-contact connector for M40 × 1.5 Plastic hose adapter: WL52K19TAD II IP66

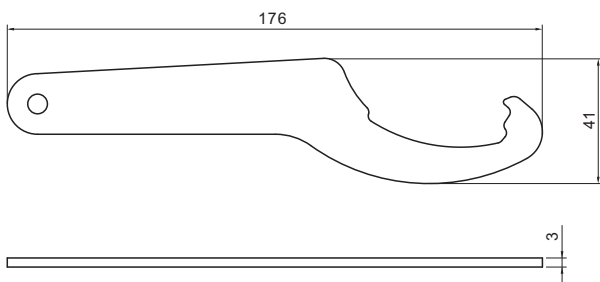




● Wrench 1: WL52ST



● Wrench 2: WL52SY

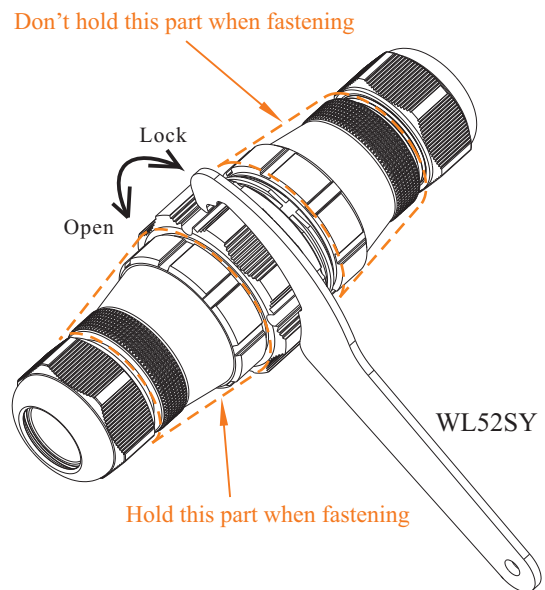
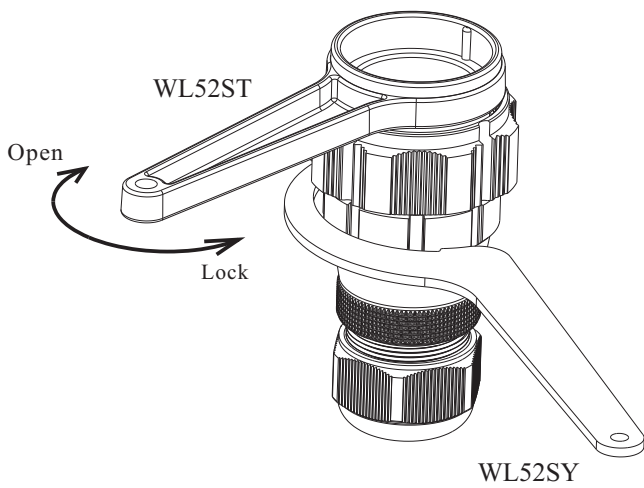
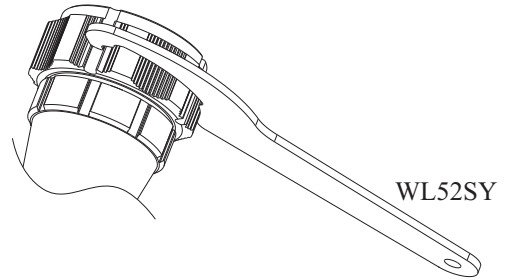
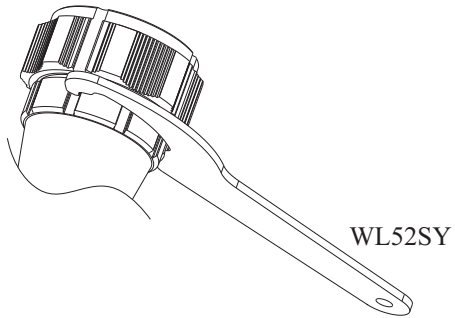
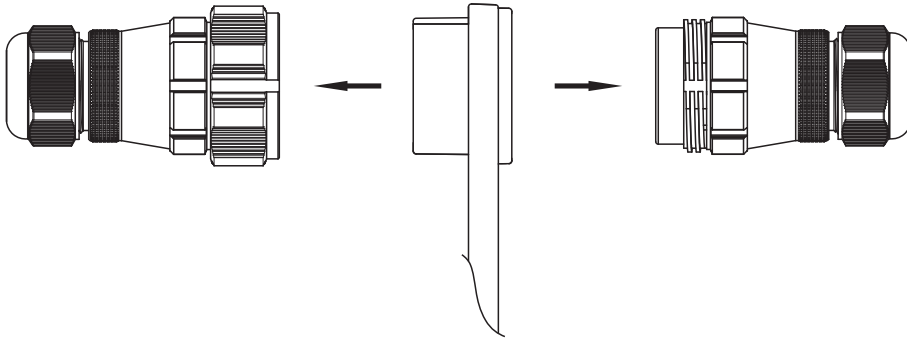


Instruction

Male-contact connector

WL52ST

Female-contact connector

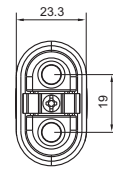
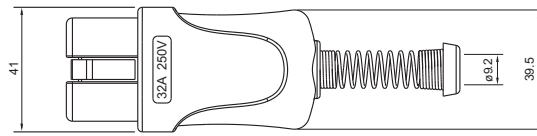


WL52 Series IP67





AR Durable Electric Heating Plug

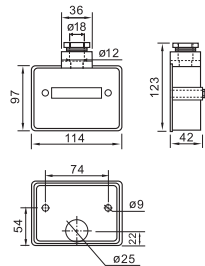
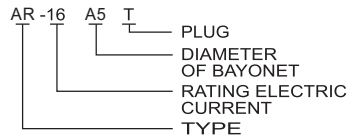


Main Technical features:

Rating electric current: 16A(20A) 、 32A
 Rating Voltage: 250V
 Heat-resistance: 500°C (the ceramic head)
 Frequency: 50Hz
 Life duration: 600 times

TYP
 AR-16A5T BAYONET ø5
 AR-32A6T BAYONET ø6

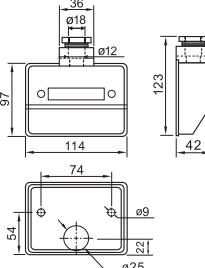
Item No. Explanation:



Rated A	Part No. TYP	TerminalP	Weight(g/pcs)
30A	6003	3P+N+⊕	230

Junction-box

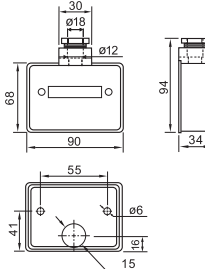
Bottom hole
 Upper hole (with cable tightening fittings)
 Electric Inlet
 Min conducting wire section mm² 2.5
 Max conducting wire section mm² 10



Rated A	Part No. TYP	TerminalP	Weight(g/pcs)
30A	6004	3P+N+⊕	200

Junction-box

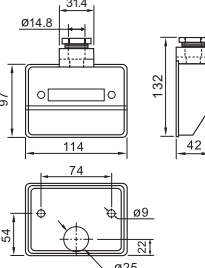
Bottom hole
 Upper hole (with cable tightening fittings)
 Electric Inlet
 Min conducting wire section mm² 2.5
 Max conducting wire section mm² 10



Rated A	Part No. TYP	TerminalP	Weight(g/pcs)
15A	6005	3P+⊕	120

Junction-box

Bottom hole
 Upper hole (with cable tightening fittings)
 Electric Inlet
 Min conducting wire section mm² 1.5
 Max conducting wire section mm² 4



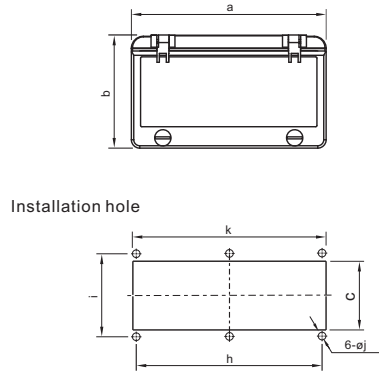
Rated A	Part No. TYP	TerminalP	Weight(g/pcs)
63A	6006	3P+N+⊕	248

Junction-box

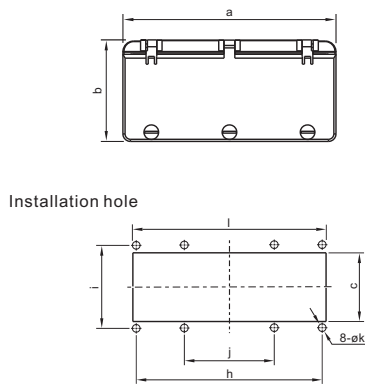
Bottom hole
 Upper hole (with cable tightening fittings)
 Electric Inlet
 Conducting wire section mm² 6

Transparent window for MCB
IP66

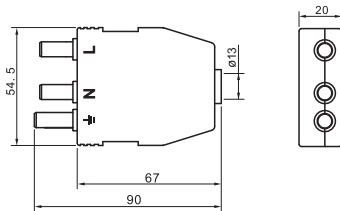
3Pin flat plug
3Pin flat cable socket
3Pin flat socket



TYP	DPK-4	DPK-6	DPK-8
Digit	4	6	8
a	91	127	163
b	95	94	94
c	65	65	65
d	43	43	43
e	21	23	23
f	15.5	15.5	15.5
g	51	49	49
h	69	107	141
i	76.6	77	77
j	4.3	3.4	3.4
k	77	113	149

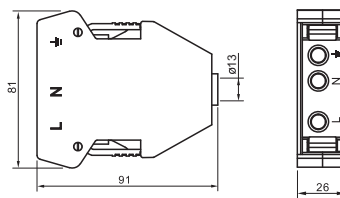


TYP	DPK-10	DPK-12	DPK-14
Digit	10	12	14
a	198.5	235.5	270
b	94	94	95
c	65	65	65
d	43	43	43
e	23	23	23
f	15.5	15.5	15.5
g	49	49	50
h	176	213	247
i	77	77	77
j	84	72	71.5
k	3.4	3.4	4.2
l	185	222	255



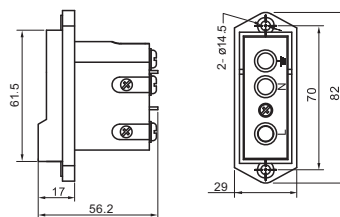
Amp.	TYP	Colour	Pcs/package	Weight(g/pcs)
250V/32A 125V/40A	PC10321	Black	10	77

3flat-tpin plug



Amp.	TYP	Colour	Pcs/package	Weight(g/pcs)
250V/32A 125V/40A	PC20322	Black	10	104

3flat-pin cable to cable



Amp.	TYP	Colour	Pcs/package	Weight(g/pcs)
250V/32A 125V/40A	PC10322	Black	10	70

3flat-pin socket





Combined Distribution Boxes

- The distribution boxes can be combined according to your needs
- Patent design



IP rating: IP44 & IP66

Shell material: PC+ABS

Temperature: -40°C~85°C

Colour: Base: Black

Lid: White (Standard)

Yellow (Customized)

Green (Customized)

Mark the customized color behind the part number

YL: yellow, GN: green

Combined Distribution Boxes

Easy Installation · Multiple Combination



Fix the lid by hinge



Inside combining-device for connecting the boxes



Combining-device for connecting the boxes



Screw hole on the bottom of bolt

Combined Distribution Boxes



SOCKET	SOCKET	SOCKET	SOCKET
4 civilian socket 16A 220V 1 TYP5602 16A 220V	8 civilian socket 16A 220V	3 civilian socket 16A 220V 1 TYP5824 32A 380V	3 civilian socket 16A 220V 2 TYP5823 32A 380V
PROTECT	PROTECT	PROTECT	PROTECT
5 Miniature circuit breaker 16A 1P	None	1 Miniature circuit breaker 32A 3P 3 Miniature circuit breaker 16A 1P	None
SIZE	SIZE	SIZE	SIZE
450X140X90mm (L W H)	450X140X90mm (L×W×H)	300X240X160mm (L×W×H)	300X240X160mm (L×W×H)
P/N	P/N	P/N	P/N
TYP4514-1	TYP4514-2	TYP3024-1	TYP3024B-1
IP rating: IP65	IP rating: IP44	IP rating: IP65	IP rating: IP44

Combined Distribution Boxes



SOCKET	SOCKET	SOCKET	SOCKET
2 TYP5824 32A 380V 1 TYP5924 63A 380V	3 civilian socket 16A 220V 2 TYP5823 32A 380V	3 TYP5602 16A 220V 1 TYP5824 32A 380V 1 TYP5924 63A 380V	4 civilian socket 16A 220V 2 ↑ TYP5601 16A 220V 2 ↑ TYP5823 32A 380V
PROTECT	PROTECT	PROTECT	PROTECT
2 Miniature circuit breaker 32A 3P 1 Miniature circuit breaker 63A 3P	2 Miniature circuit breaker 32A 3P 3 Miniature circuit breaker 16A 1P	1 Miniature circuit breaker 32A 3P 3 Miniature circuit breaker 16A 1P 1 Miniature circuit breaker 63A 3P	2 Miniature circuit breaker 32A 3P 6 Miniature circuit breaker 16A 1P
SIZE	SIZE	SIZE	SIZE
430X240X160mm (L×W×H)	430X240X160mm (L×W×H)	430X320X160mm (L×W×H)	430X320X160mm (L×W×H)
P/N	P/N	P/N	P/N
TYP4324-1	TYP4324-2	TYP4332-1	TYP4332-2
IP rating: IP66	IP rating: IP44	IP rating: IP66	IP rating: IP44

Combined Distribution Boxes



SOCKET

4 TYP5824 32A 380V

SOCKET

3 civilian socket 16A 220V
 4 TYP5823 32A 380V
 1 TYP5924 63A 380V

PROTECT

1 Miniature circuit breaker 125A 4P
 4 Miniature circuit breaker 32A 3P

PROTECT

1 Miniature circuit breaker 16A 1P
 4 Miniature circuit breaker 32A 3P
 1 Miniature circuit breaker 63A 3P

SIZE

Coalition 2 300X240X160mm (L W H)

SIZE

Coalition 2 430X240X160mm (L W H)

P/N

TYP3048

IP rating: IP66

P/N

TYP4348

IP rating: IP44

Combined Distribution Boxes



SOCKET

4 civilian socket 16A 220V
 4 TYP5824 32A 380V
 1 TYP5924 63A 380V

SOCKET

4 TYP5824 32A 380V

PROTECT

4 Miniature circuit breaker 16A 1P
 4 Miniature circuit breaker 32A 3P
 1 Miniature circuit breaker 63A 3P

PROTECT

1 Miniature circuit breaker 100A 1P
 2 Miniature circuit breaker 16A 3P
 2 Miniature circuit breaker 32A 3P

SIZE

Coalition 1 430X240X160mm (L W H)
 1 430X320X160mm (L W H)

SIZE

Coalition 2 300X240X160mm (L W H)

P/N

TYP4356
 IP rating: IP65

P/N

TYP6024
 IP rating: IP66

Combined Distribution Boxes



SOCKET

3 civilian socket 16A 220V
 2 TYP5824 32A 380V
 1 TYP5924 63A 380V

SOCKET

3 civilian socket 16A 220V
 2 TYP5824 32A 380V
 2 TYP5924 63A 380V

PROTECT

1 Miniature circuit breaker 125A 4P
 1 Miniature circuit breaker 63A 3P
 2 Miniature circuit breaker 32A 3P
 3 Miniature circuit breaker 16A 1P

PROTECT

1 Molded case circuit breaker 125A 6P
 2 Miniature circuit breaker 63A 3P
 2 Miniature circuit breaker 32A 3P
 3 Miniature circuit breaker 32A 1P

SIZE

Coalition 1 430X240X160mm (LxW H)
 1300X240X160mm (LxW H)

SIZE

Coalition 4 300X240X160mm (LxW H)

P/N

TYP7324

IP rating: IP65

P/N

TYP6048

IP rating: IP65

Combined Distribution Boxes



SOCKET

3 civilian socket	16A	220V
2 TYP5601	16A	220V
4 TYP5801	32A	220V
2↑ TYP5823	32A	380V
1↑ TYP5924	63A	380V

PROTECT

1 Molded case circuit breaker	125A	6P
1 Miniature circuit breaker	63A	3P
4 Miniature circuit breaker	32A	1P
2 Miniature circuit breaker	32A	3P
5 Miniature circuit breaker	16A	1P

SIZE


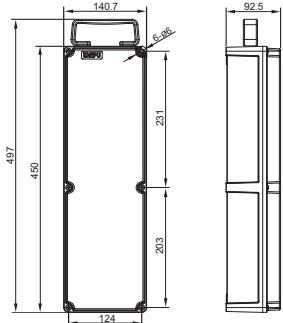

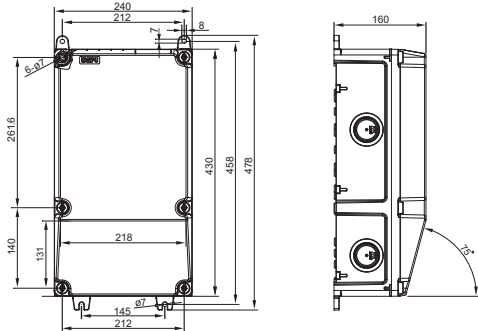

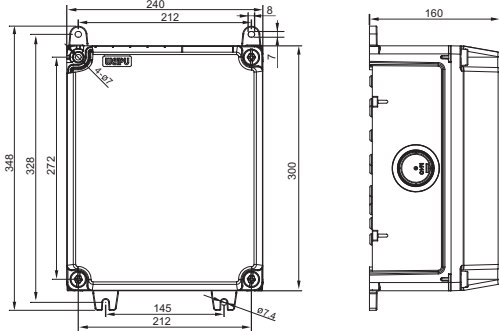

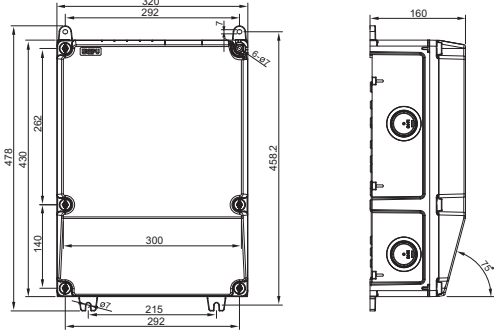

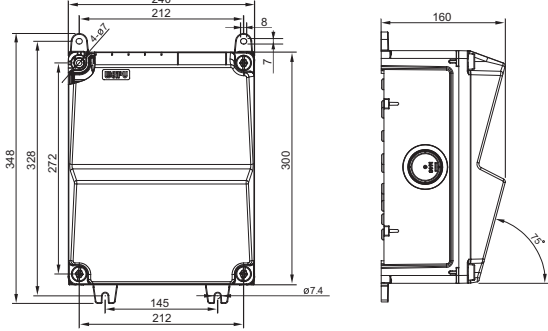
Coalition 2	430X240X160mm	(L×W H)
	2 300X240X160mm	(L×W H)

P/N

TYP7348

IP rating: IP44

Combined Distribution Boxes

	<p>P/N TYP4514</p> <p>SIZE 450X140X90mm (L x W x H)</p> <p>IP rating: IP66</p>	
	<p>P/N TYP4324</p> <p>SIZE 430X240X160mm (L x W x H)</p> <p>IP rating: IP66</p>	
	<p>P/N TYP3024</p> <p>SIZE 300X240X160mm (L x W x H)</p> <p>IP rating: IP66</p>	
	<p>P/N TYP4332</p> <p>SIZE 430X320X160mm (L x W x H)</p> <p>IP rating: IP66</p>	
	<p>P/N TYP3024B</p> <p>SIZE 300X240X160mm (L x W x H)</p> <p>IP rating: IP66</p>	

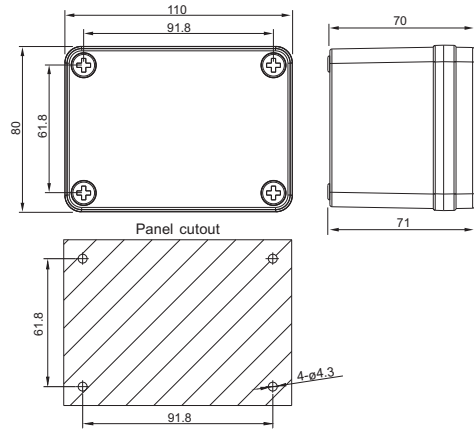
Distribution Boxes



P/N
TYP0811

SIZE
110X80X71mm (L x W x H)

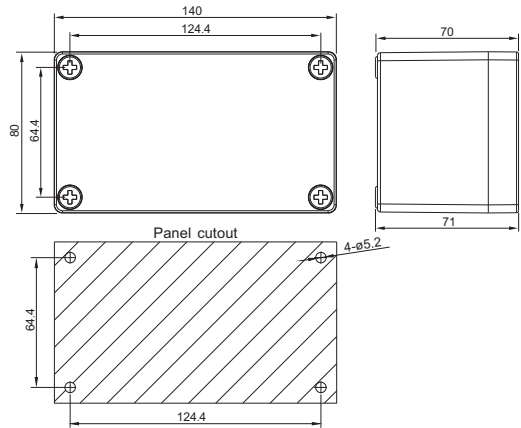
IP rating: IP66



P/N
TYP0814

SIZE
140X80X71mm (L x W x H)

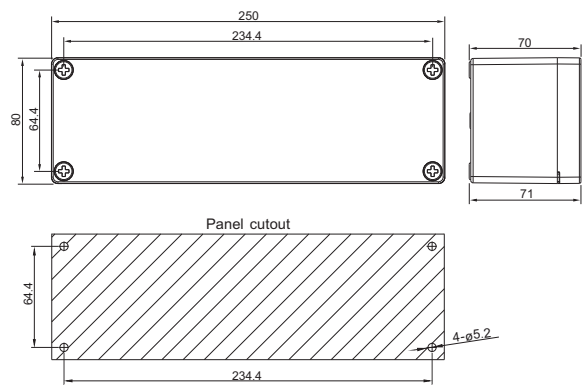
IP rating: IP66



P/N
TYP0825

SIZE
250X80X71mm (L x W x H)

IP rating: IP66



Hanging Distribution Box



IP rating: IP44 & IP66

Shell material: PC+ABS

Temperature: -40°C ~ 85°C

Colour: Base: Black

Lid: White (Standard)

Yellow (Customized)

Green (Customized)

Mark the customized color behind the part number

YE: yellow, GN: green

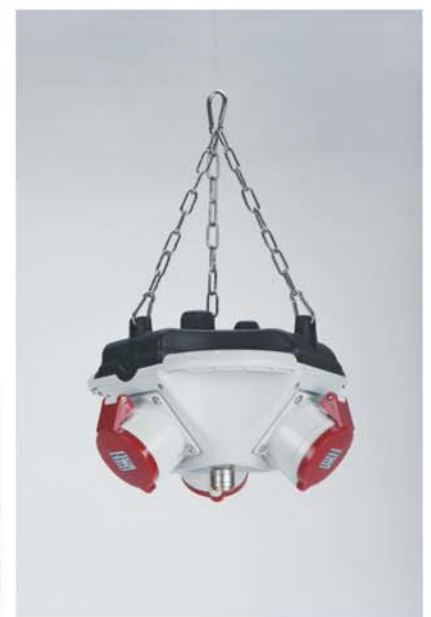
Hanging Distribution Box



Fix the lid by hinge



Optional nozzle for compressed air



Can hang it up or put on floor

Hanging Distribution Box



SOCKET	SOCKET	SOCKET
7 civilian socket 16A 220V 2 TYP5623 16A 380V 1 TYP3602 16A 220V	6 civilian socket 16A 220V 1 TYP5601 16A 220V 1 TYP5623 16A 380V 2 TYP5823 32A 380V	3 civilian socket 16A 220V 2 TYP5801 32A 220V 1 TYP3601 16A 220V 1 TYP3823 32A 380V
PROTECT	PROTECT	PROTECT
7 Miniature circuit breaker 16A 1P 1 Miniature circuit breaker 32A 3P	None	4 Miniature circuit breaker 16A 1P 2 Miniature circuit breaker 32A 1P 1 Miniature circuit breaker 32A 3P
SIZE	SIZE	SIZE
322X243X220mm (L×W H)	322X243X220mm (L×W H)	322X243X220mm (L×W H)
P/N	P/N	P/N
TYPD3224-1	TYPD3224-2	TYPD3224-3
IP rating: IP65	IP rating: IP44	IP rating: IP44

Hanging Distribution Box



SOCKET	SOCKET	SOCKET
5 TYP3624 16A 380V	2 civilian socket 16A 220V 2 TYP3823 32A 380V	3 TYP3823 32A 380V
PROTECT	PROTECT	PROTECT
None	None	None
SIZE	SIZE	SIZE
180X180X155mm (L×W H)	180X180X155mm (L×W H)	180X180X155mm (L×W H)
P/N	P/N	P/N
TYPD1815-1	TYPD1815-2	TYPD1815-3
IP rating: IP66	IP rating: IP44	IP rating: IP44

Hanging Distribution Box



SOCKET	SOCKET	SOCKET
3 TYP5823 32A 380V	1 civilian socket 16A 220V 1 TYP5824 32A 380V 1 TYP5602 16A 220V	2 civilian socket 16A 220V 1 TYP5823 32A 380V
PROTECT	PROTECT	PROTECT
None	None	None
SIZE	SIZE	SIZE
268×264×153mm (L×W H)	268×264×153mm (L×W H)	268×264×153mm (L×W H)
P/N	P/N	P/N
TYPD2814-1	TYPD2814-2	TYPD2814-3
IP rating: IP44	IP rating: IP65	IP rating: IP44



Distribution Box With Cable Reel



IP rating: IP44

Cable reel material and P/N: CRS cable reel: 38SP
PC: 33PP

Temperature: -25°C ~ 85°C

Distribution Box With Cable Reel



SOCKET

2 TYP5823 32A 380V
1 TYP645 63A 380V

PROTECT

1 Miniature circuit breaker 63A 3P

SIZE

315X290X850mm (L×W H)

P/N

TYP38SP

IP rating: IP44

SOCKET

2 TYP5601 16A 220V
1 TYP281 32A 220V

PROTECT

1 Miniature circuit breaker 32A 1P

SIZE

305X290X465mm (L×W H)

P/N

TYP33PP-1

IP rating: IP44

SOCKET

4 civilian socket 16A 220V
1 TYP231 16A 220V

PROTECT

1 Miniature circuit breaker 32A 1P

SIZE

305X290X465mm (L×W H)

P/N

TYP33PP-2

IP rating: IP44

Rubber socket box: can be used directly after access to the power supply

New patent design to overturn your experience

STRONG AND DURABLE



- Rubber material, super strong strike resistance, low to minus 40 C environment.
- Multi-layer superimpose, patent design, break the space limitation.

Rubber socket box: can be used directly after access to the power supply



Convenient lock, easy opening and closing



Built-in switch, fully use of space



Special designed handle, elegant and strong, cable can be stored over the handle, which is convenient!



One-piece hinge, can open and close separately



Steel casters, durable, energy saving

Rubber socket box: can be used directly after access to the power supply

IP44 ⚠

Hinge on the back side, switch inside the box, can be seen after open the lid. For more information, please contact us or go to www.weipu.cn.



SOCKET	SOCKET	SOCKET
4 civilian socket 16A 230V 6 TYP5101 16A 230V	4 civilian socket 16A 230V 6 TYP5624 16A 230V	4 civilian socket 16A 230V 6 TYP5824 32A 380V
PROTECT	PROTECT	PROTECT
2 Miniature circuit breaker 32A 1P 6 Miniature circuit breaker 16A 1P	4 Miniature circuit breaker 16A 1P 6 Miniature circuit breaker 16A 3P	4 Miniature circuit breaker 32A 1P 6 Miniature circuit breaker 32A 3P
SIZE	SIZE	SIZE
320X320X320mm (L×W H)	320X320X320mm (L×W H)	320X320X320mm (L×W H)
P/N	P/N	P/N
TYP32321	TYP32322	TYP32323

Single-layer box, without handle and castor

Rubber socket box: can be used directly after access to the power supply

IP44 ▲

Hinge on the back side, switch inside the box, can be seen after open the lid. For more information, please contact us or go to www.weipu.cn.



SOCKET

8 civilian socket 16A 230V
 6 TYP5101 16A 230V
 4 TYP5624 16A 380V

SOCKET

8 civilian socket 16A 230V
 4 TYP5624 16A 380V
 4 TYP5824 32A 380V

SOCKET

12 civilian socket 16A 230V
 6 TYP5101 16A 230V
 4 TYP5624 16A 380V
 4 TYP5624 32A 380V

PROTECT

1 Miniature circuit breaker 125A 4P
 7 Miniature circuit breaker 32A 1P
 2 Miniature circuit breaker 32A 3P

PROTECT

1 Miniature circuit breaker 125A 4P
 7 Miniature circuit breaker 32A 1P
 2 Miniature circuit breaker 63A 3P

PROTECT

1 Miniature circuit breaker 125A 4P
 6 Miniature circuit breaker 32A 3P
 2 Miniature circuit breaker 63A 3P

SIZE

320X320X510mm (L×W H)

SIZE

320X320X510mm (L×W H)

SIZE

320X320X510mm (L×W H)

P/N

TYP32324M1




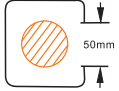

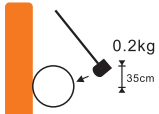
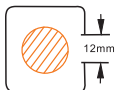
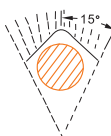
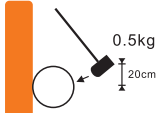
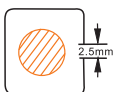
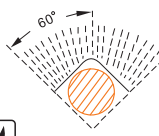
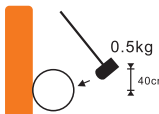
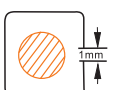

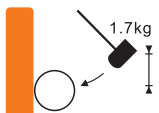

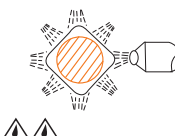
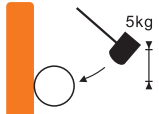


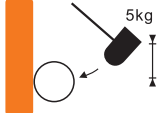

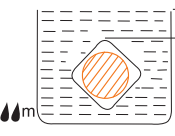
P/N

TYP32325M2

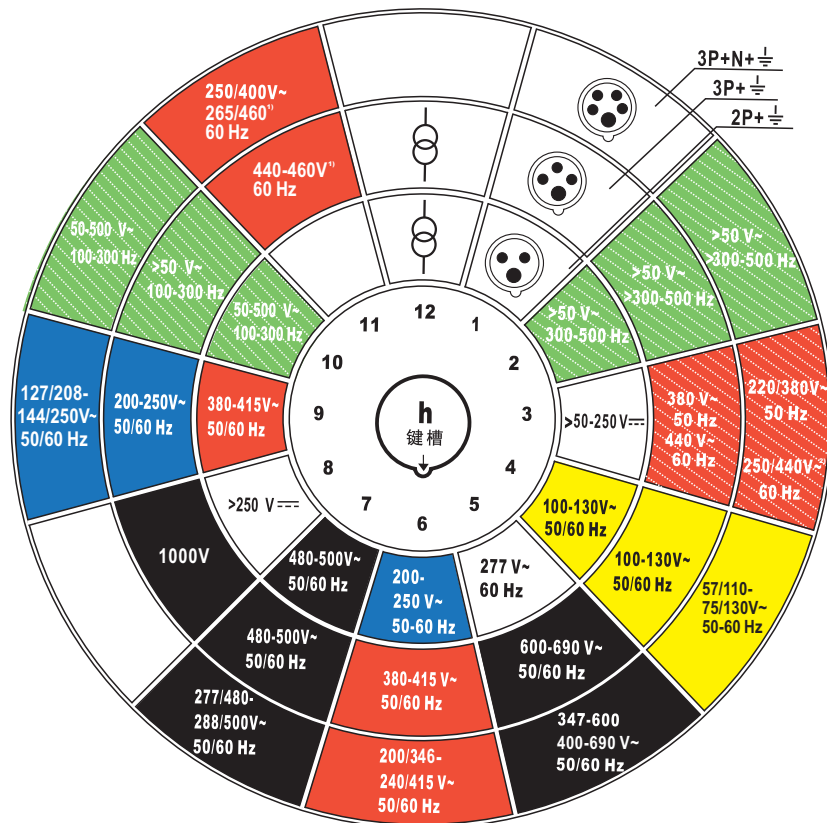
P/N

TYP32326H1

Multi-layer box, with handle and castor

The first digit	Protection against ingress of solids	The second digit	Protection against ingress of liquids	NEW	Protection against mechanical impact
IP 0	 Test No protection	IP 0	 Test No protection	IK 00	 Test No protection
1	 Protection against solid objects over 50 mm	1	 Protection against vertically falling drops of water	05	 Impact 0.7 joules
2	 Protection against solid objects over 12 mm	2	 Protection against direct sprays of water up to 15° from vertical	06	 Impact 1 joules
3	 Protection against solid objects over 2.5 mm	3	 Protection against direct sprays of water up to 60° from vertical	07	 Impact 2 joules
4	 Protection against solid objects over 1.0 mm	4	 Protection against low pressure water sprayed from all directions	08	 Impact 5 joules
5	 Limited protection against dust ingress	5	 Protection against moderate pressure jets of water from all directions	09	 Impact 10 joules
6	 Complete protection against dust ingress	6	 Protection against high pressure jets of water from all directions	10	 Impact 20 joules
		7	 Protection against the effect of immersion between 15cm and m deep		按照VDE0470, 第100部分“外部操作的电器设备对外部机械损伤的防护等级 (IK代码)”外壳提供的防机械冲击的防护等级用IK代码来表示 IK代码 冲击能量/焦耳
		8	 Protection against long periods of immersion under pressure		

All of the connectors are made according to IEC60309 standard equivalent to GB/T11918 , the color of the connector means the different voltage and frequency. It is safety because different plugs and sockets use different poles, diameters of poles and position to avoid mis-connection.



Sign:

~ AC

≡ DC



behind transformer

Each product shows current, voltage, frequency, grounding and key way clearly. For example: 16-6h/380-415V-3P+PE, means 16A current, grounding position is 6h, 380V-415V-voltage: 4poles.

The signs of grounding and key way on plugs are all match with involved receptacles.

